

# Parts Catalogue

## Z900(SE)

2022

ZR900FNSNN

ZR900FNSBN

ZR900FN SCN



**Kawasaki**

Let the good times roll

## '22 ZR900 FNSNN/FNSBN/FNSCN

## Model Information

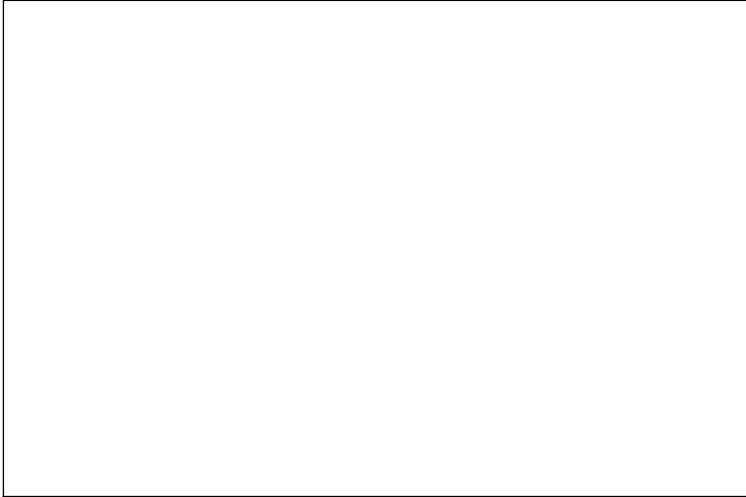
---

Year & Model	'22 ZR900FNSNN	'22 ZR900FNSBN	'22 ZR900FNSCN
Color	1.METALLIC SPARK BLACK(660) 2.METALLIC MATTE TWILIGHT BLUE(68M) 3.PEARL ROBOTIC WHITE(68N)	1.CANDY LIME GREEN TYPE 3(51P) 2.PEARL ROBOTIC WHITE(68N)	1.FIRECRACKER RED(B1)
VIN No. Range	ML5ZRDF1_NDA53971 -	ML5ZRDF1_NDA53971 -	ML5ZRDF1_NDA53971 -
Engine No. Range	ZR900BE000001 -	ZR900BE000001 -	ZR900BE000001 -
Owner's Manual No.	99808-0223	99808-0223	99808-0223
Service Manual No.	99830-0007-06	99830-0007-06	99830-0007-06

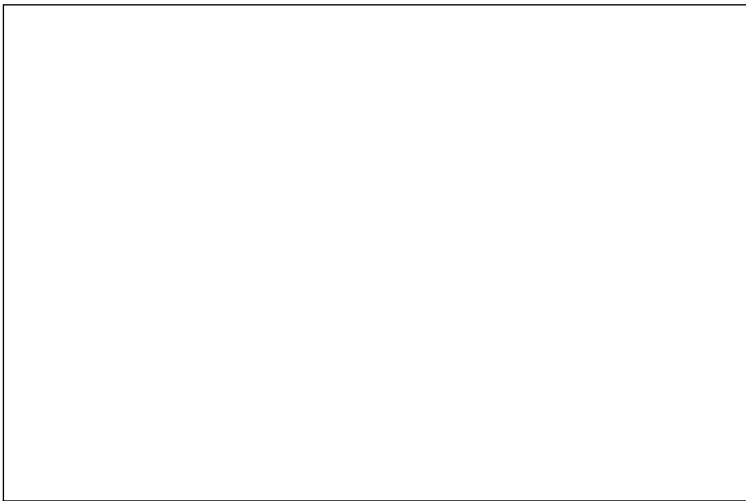


# ZR900FNSNN

Left Side View

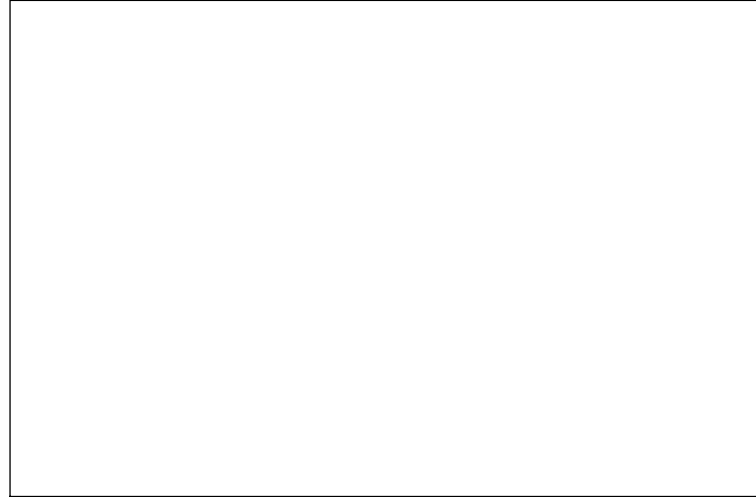


Right Side View

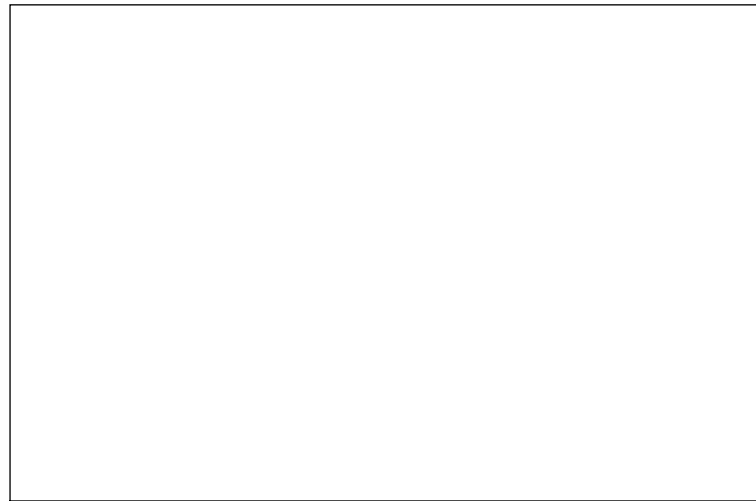


# ZR900FNSBN

Left Side View



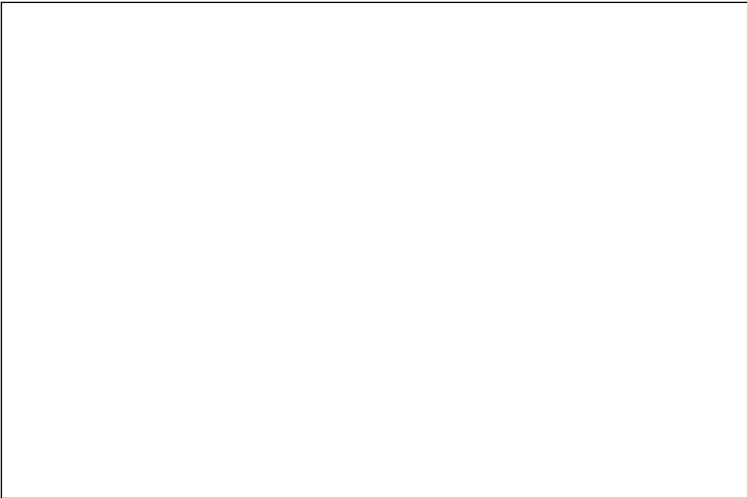
Right Side View



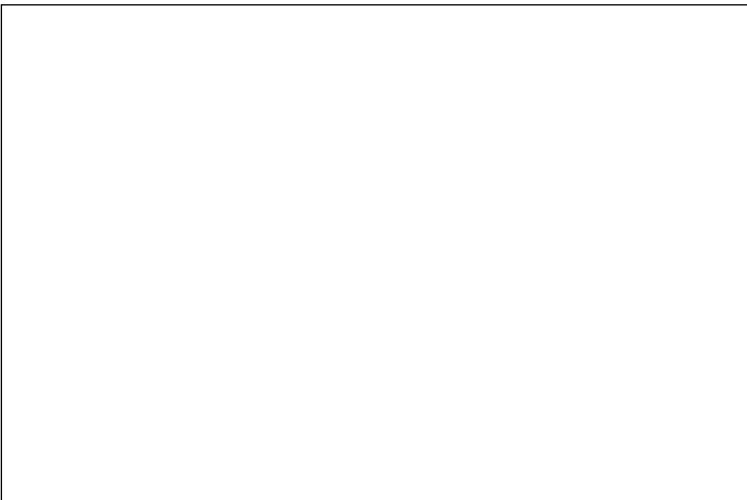


# ZR900FNSCN

Left Side View



Right Side View

































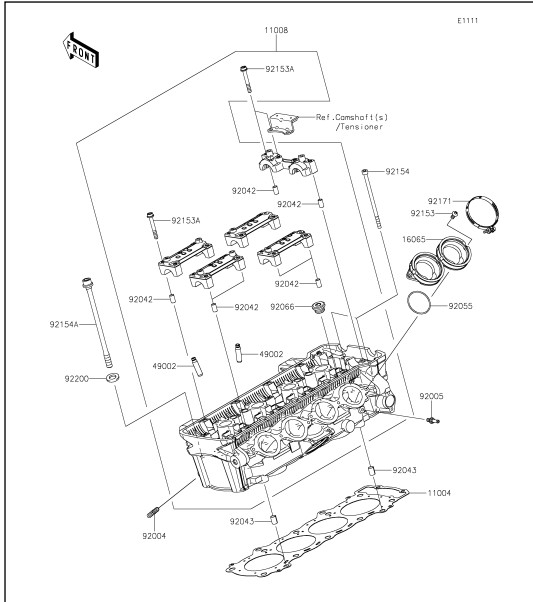




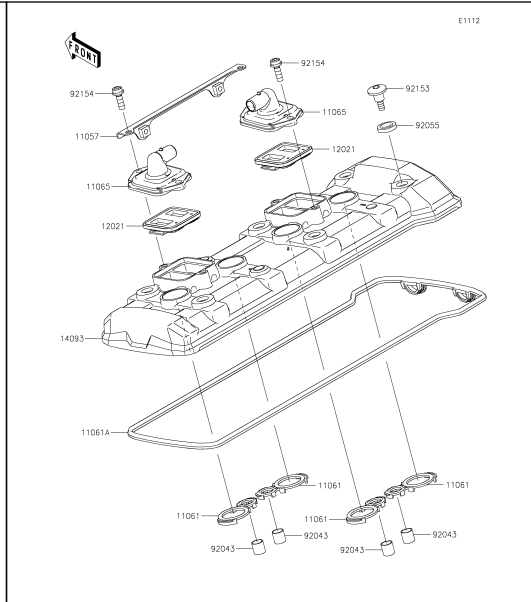




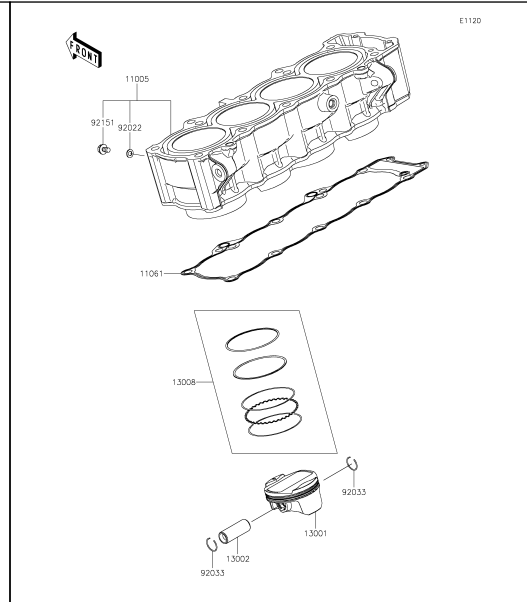




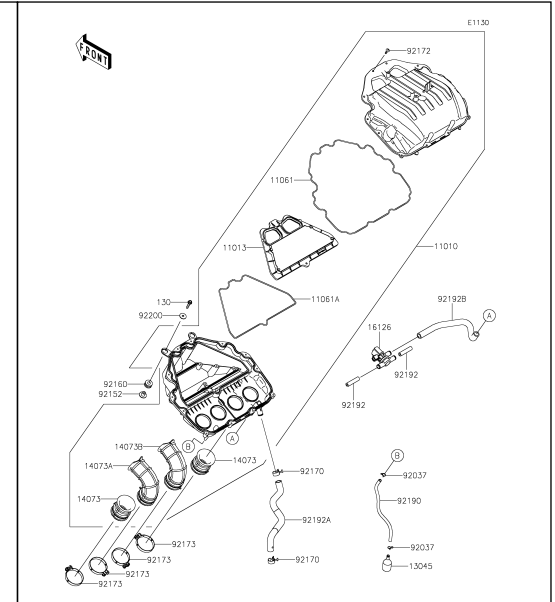
**1** Cylinder Head



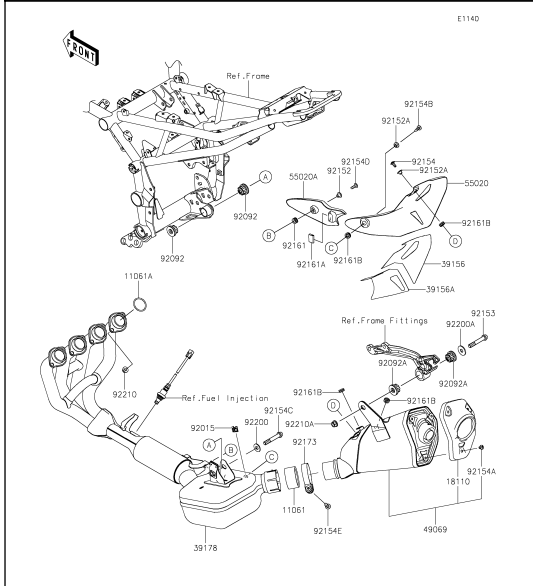
**2** Cylinder Head Cover



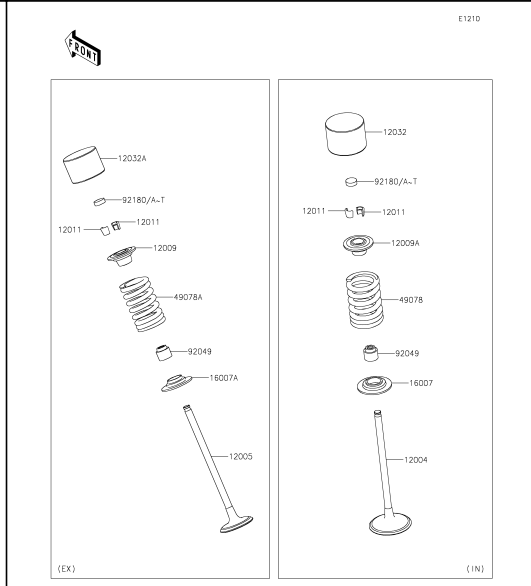
**3** Cylinder/Piston(s)



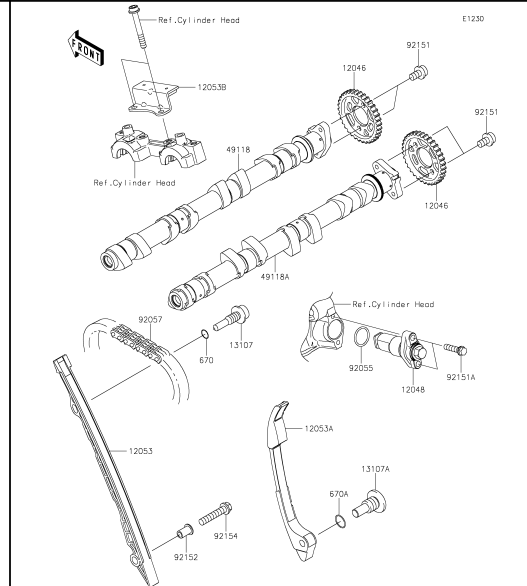
**4** Air Cleaner



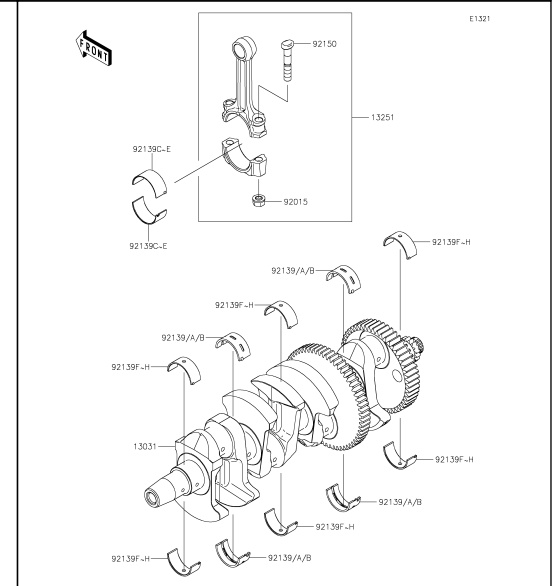
**5** Muffler(s)



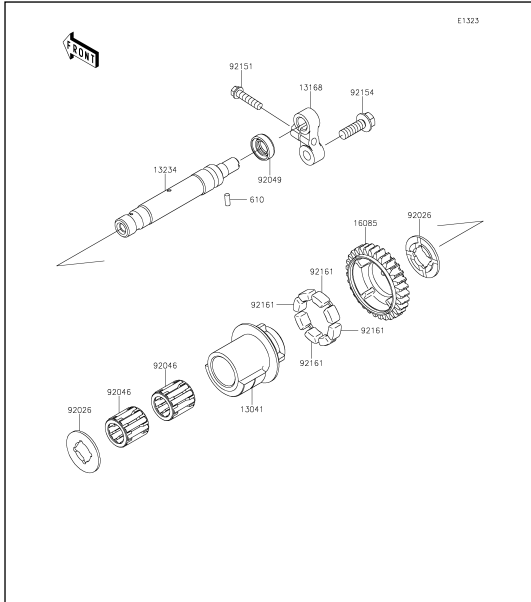
**6** Valve(s)



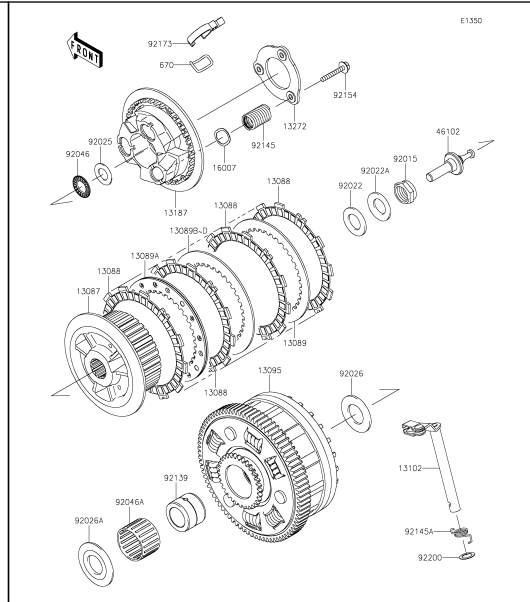
**7** Camshaft(s)/Tensioner



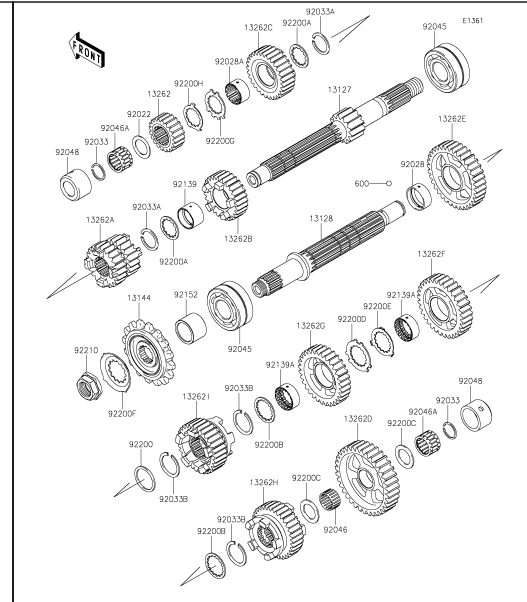
**8** Crankshaft



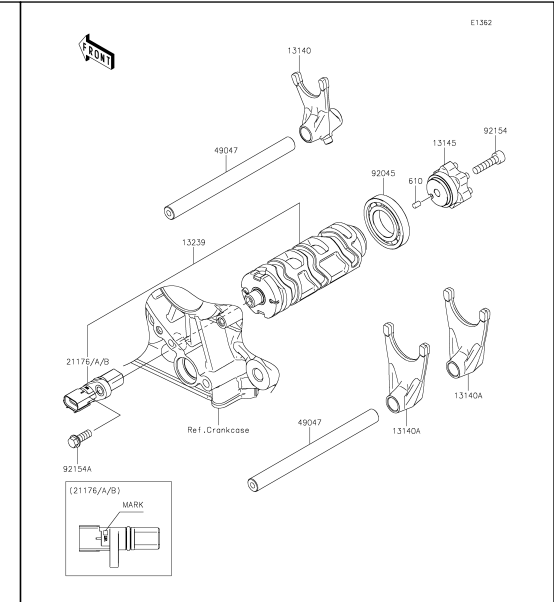
**9** Balancer



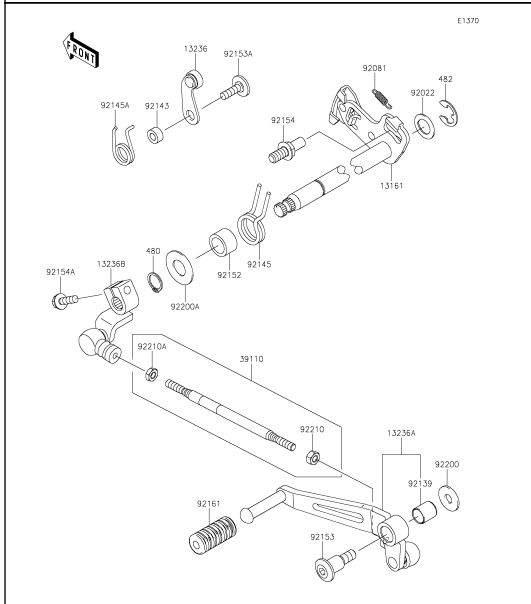
**10** Clutch



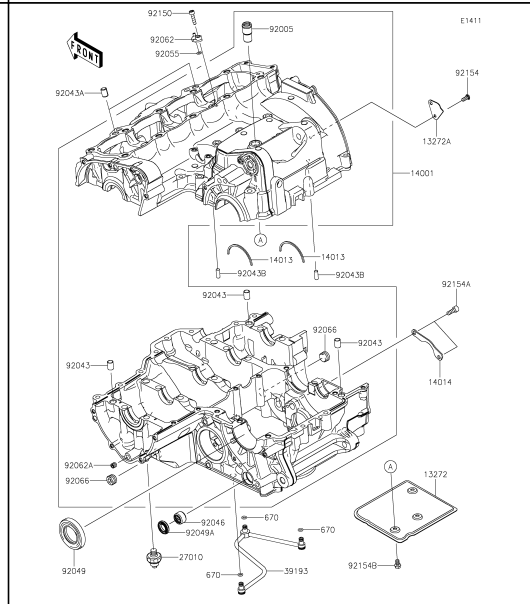
**11** Transmission



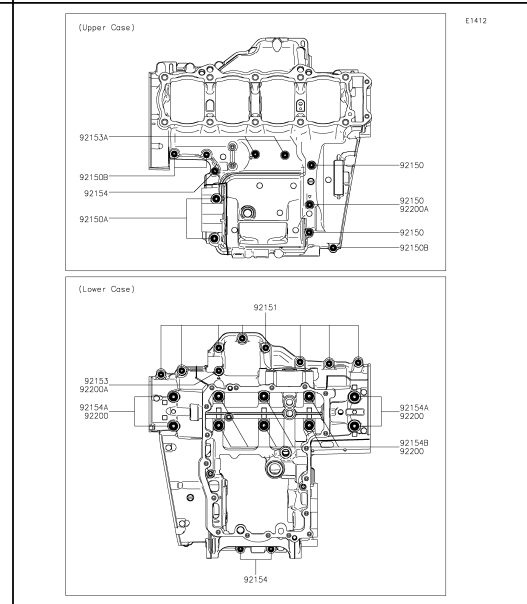
**12** Gear Change Drum/Shift Fork(s)



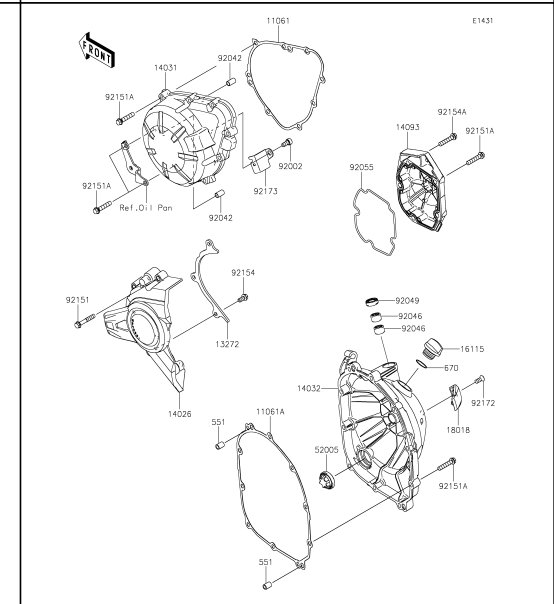
**13** Gear Change Mechanism



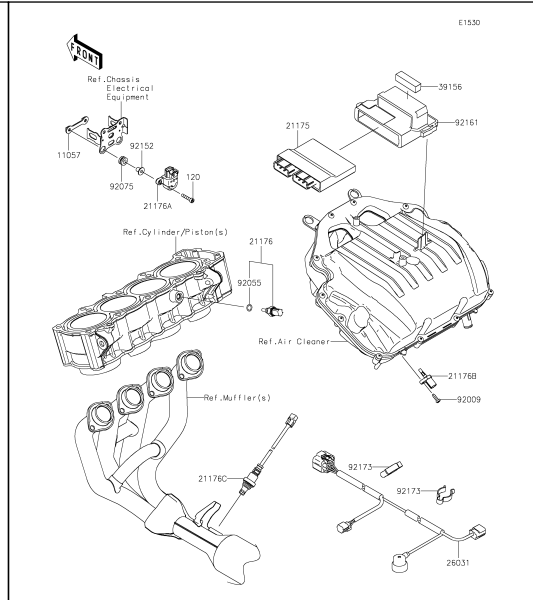
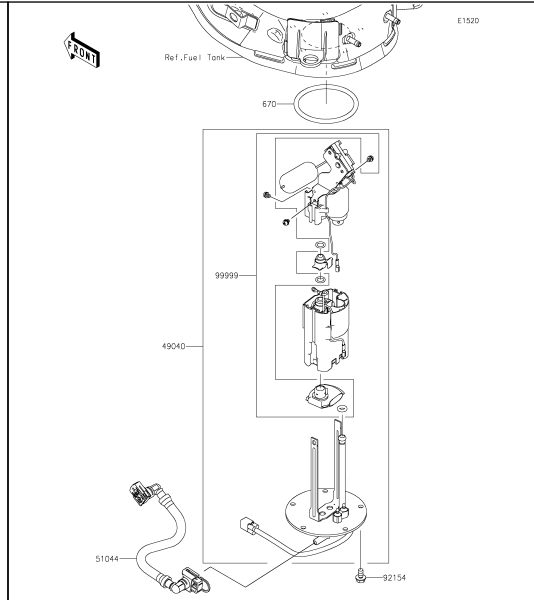
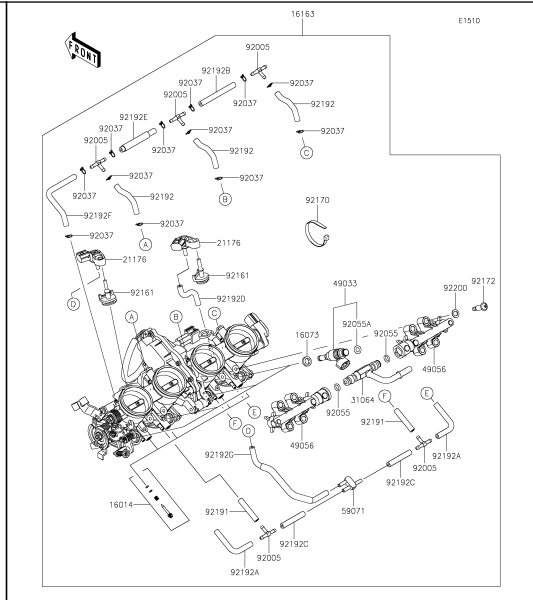
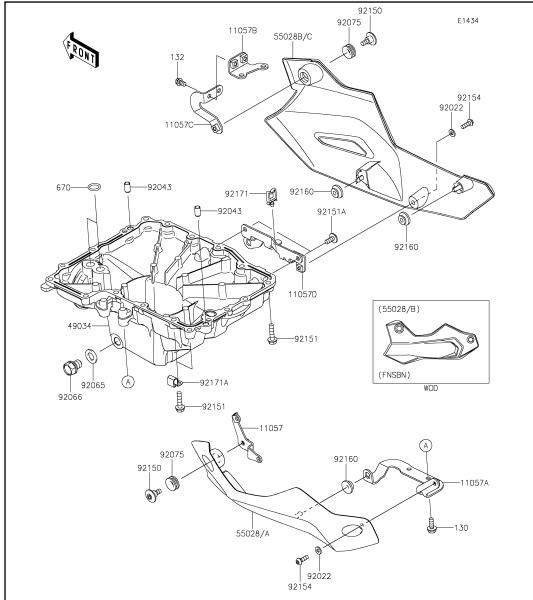
**14** Crankcase



**15** Crankcase Bolt Pattern



**16** Engine Cover(s)

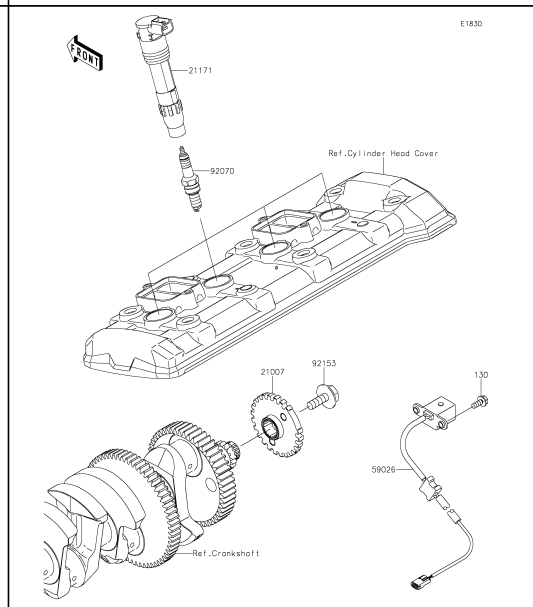
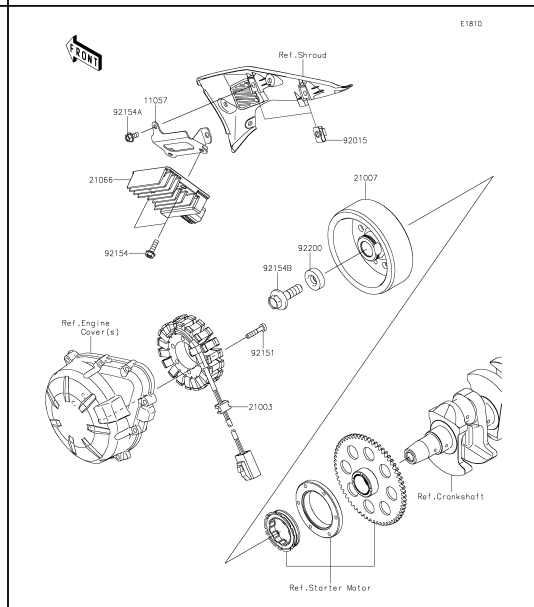
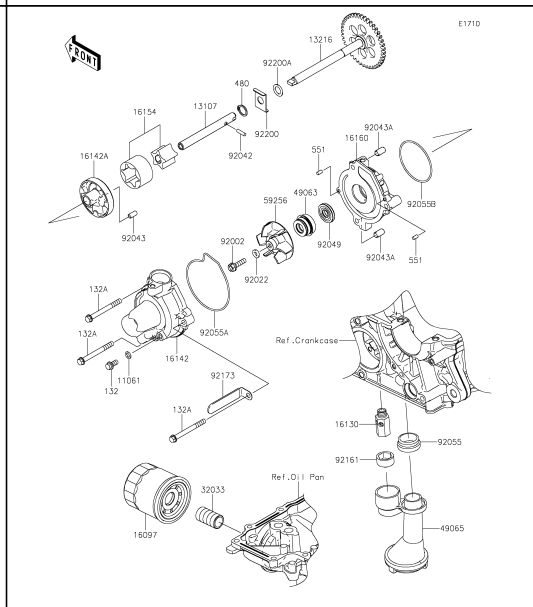
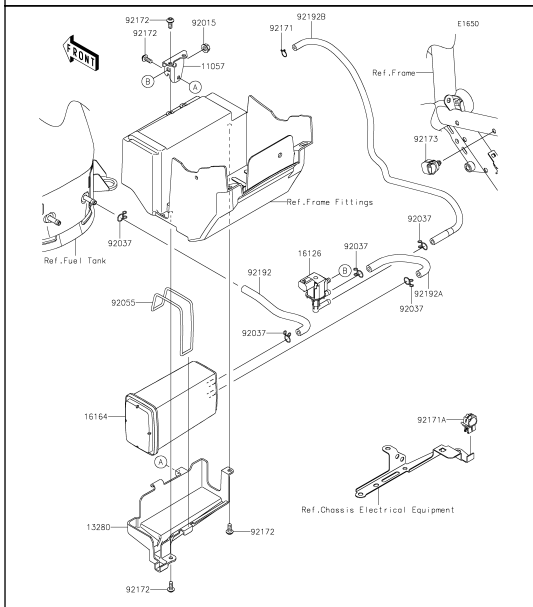


**17** Oil Pan

**18** Throttle

**19** Fuel Pump

**20** Fuel Injection

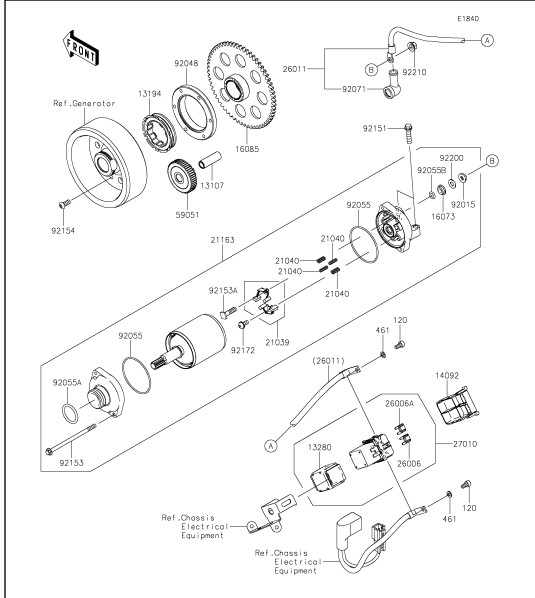


**21** Fuel Evaporative System

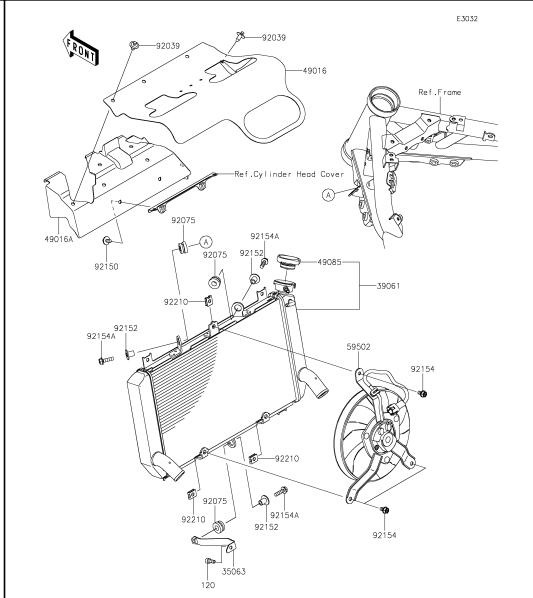
**22** Oil Pump

**23** Generator

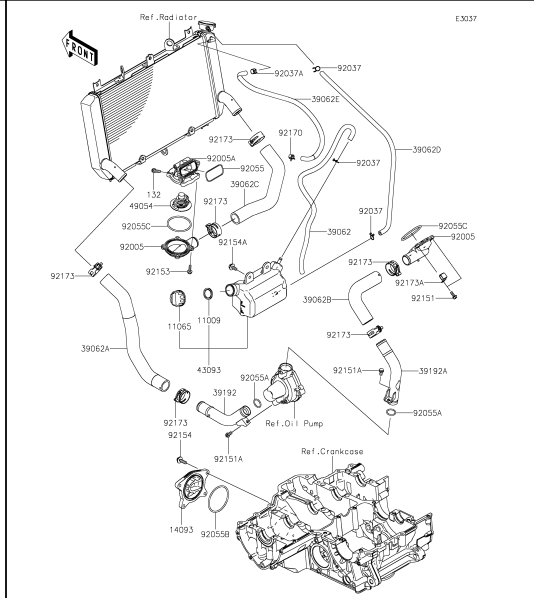
**24** Ignition System



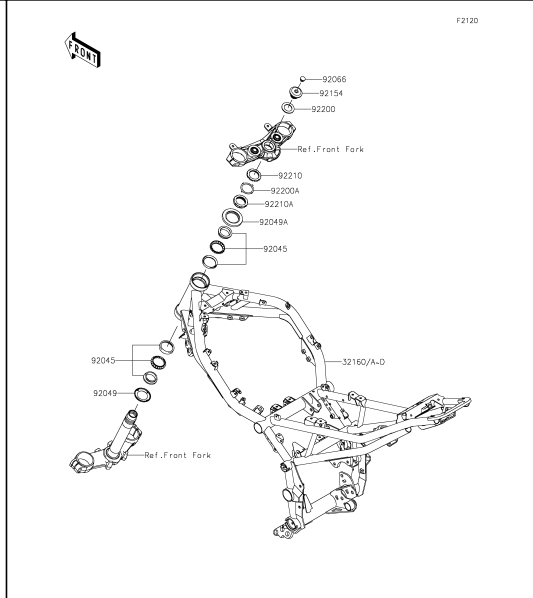
**25** Starter Motor



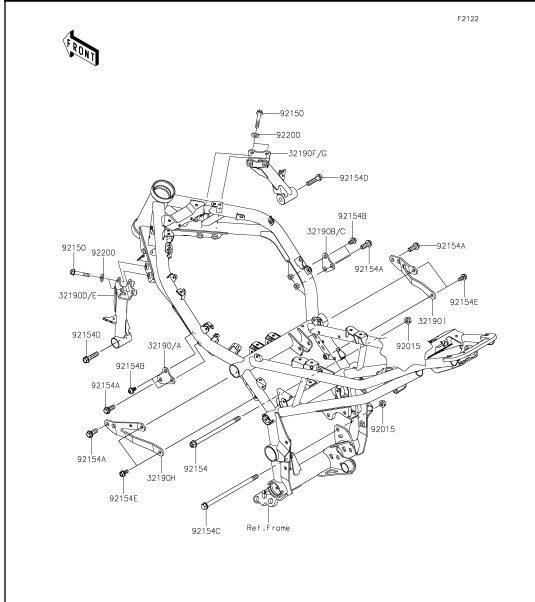
**26** Radiator



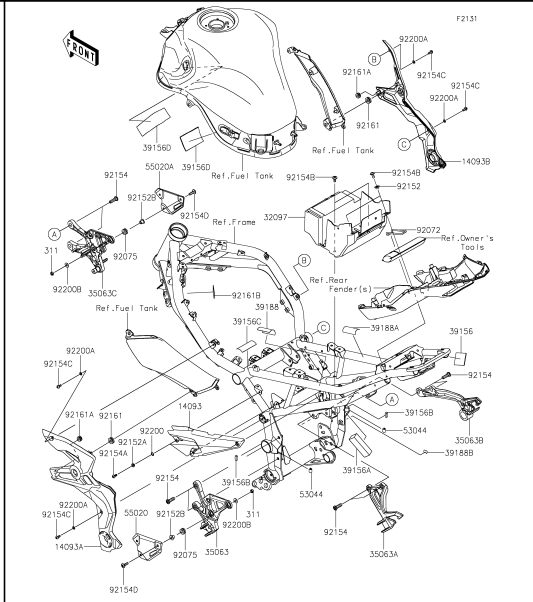
**27** Water Pipe



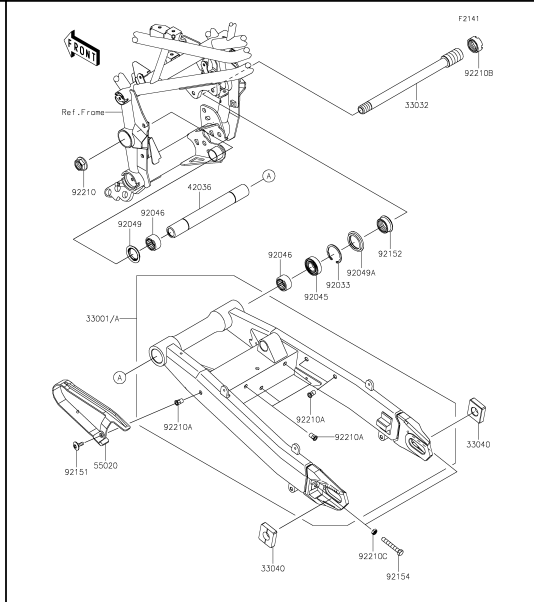
**28** Frame



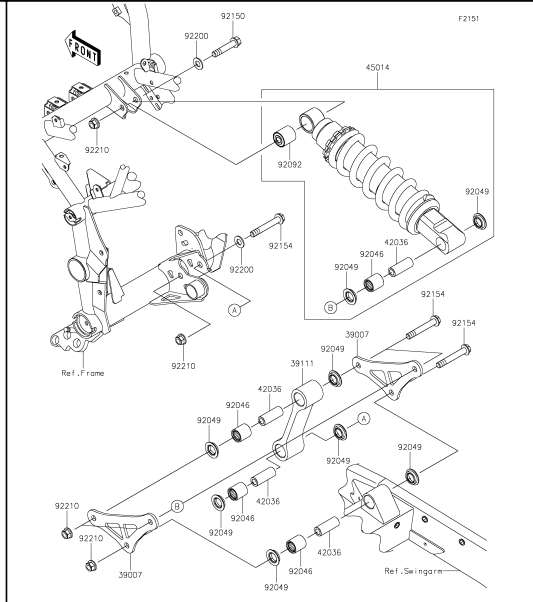
**29** Engine Mount



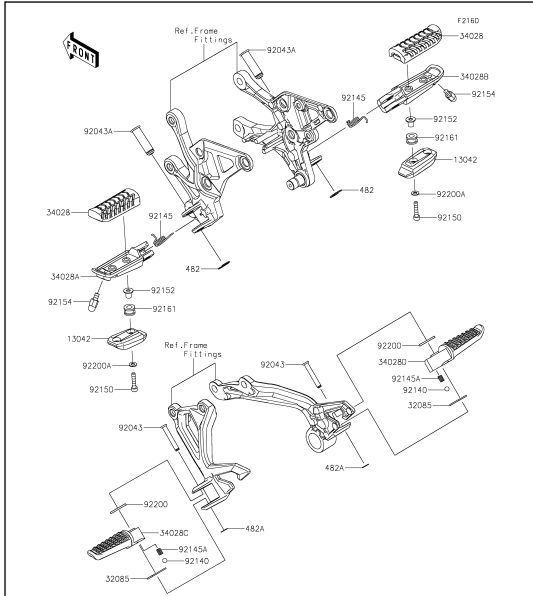
**30** Frame Fittings



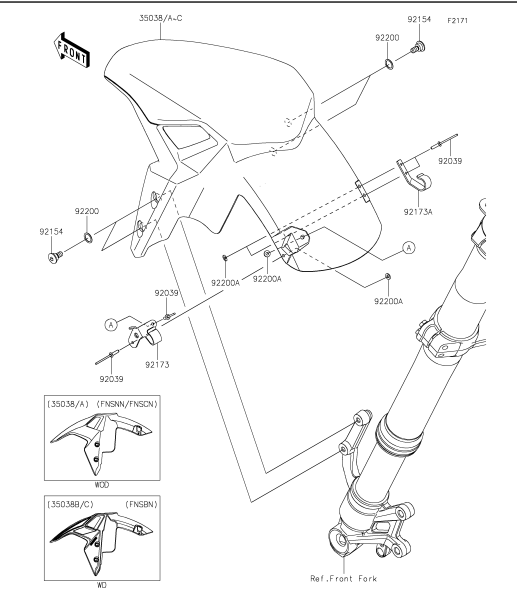
**31** Swingarm



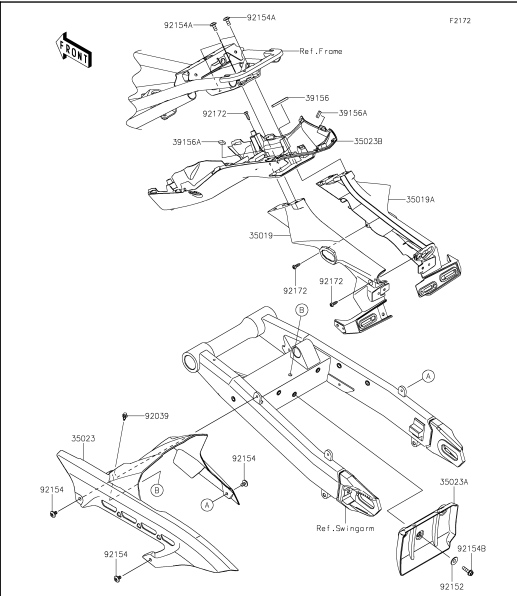
**32** Suspension/Shock Absorber



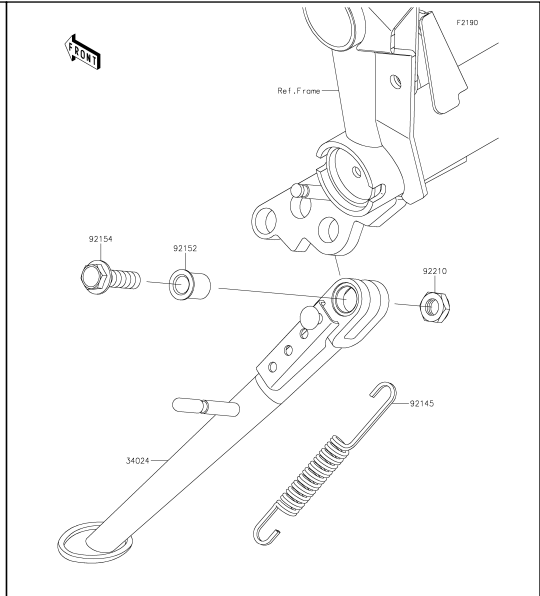
**33** Footrests



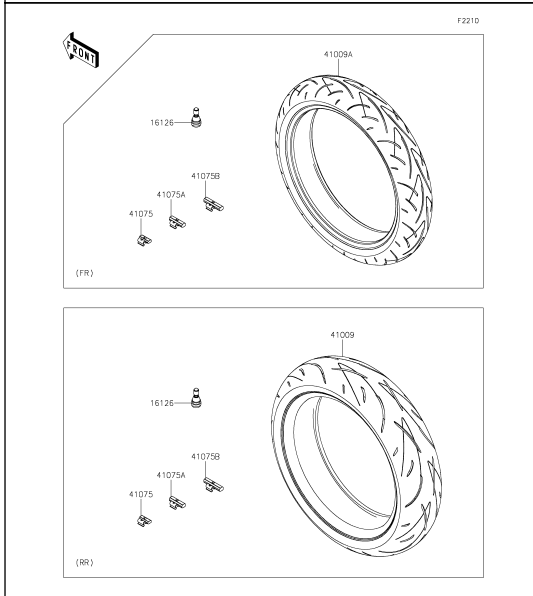
**34** Front Fender(s)



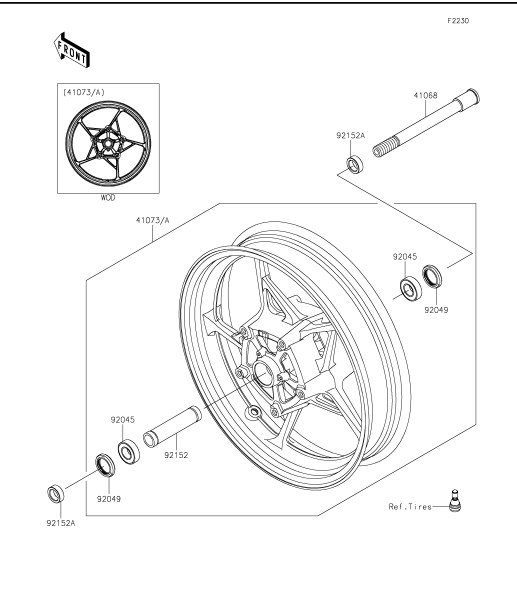
**35** Rear Fender(s)



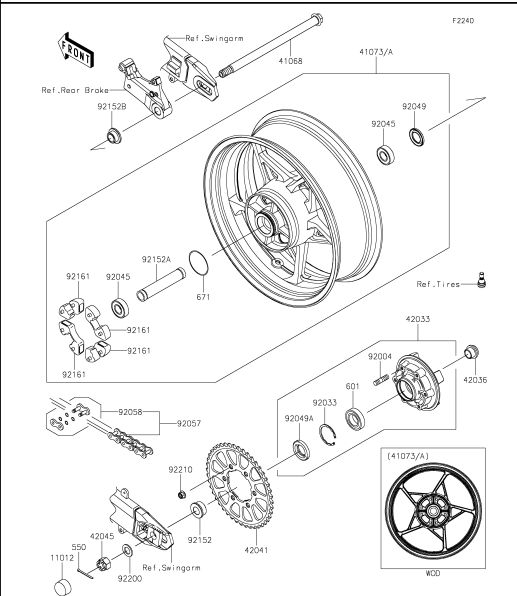
**36** Stand(s)



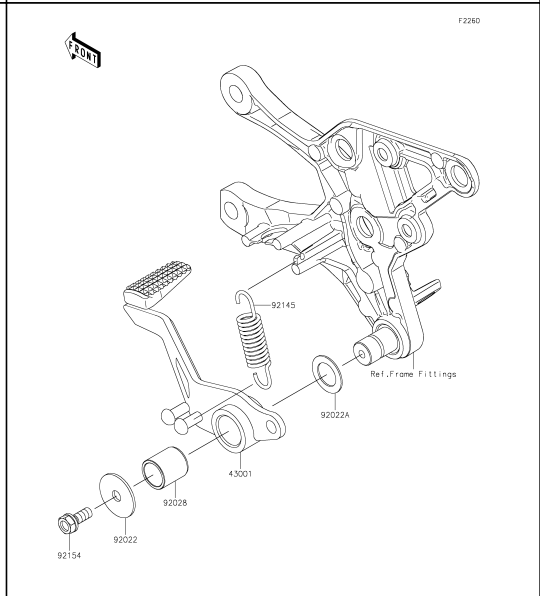
**37** Tires



**38** Front Hub

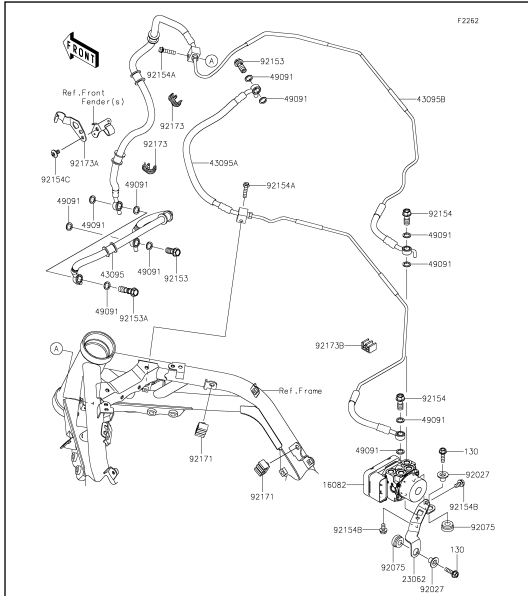


**39** Rear Hub

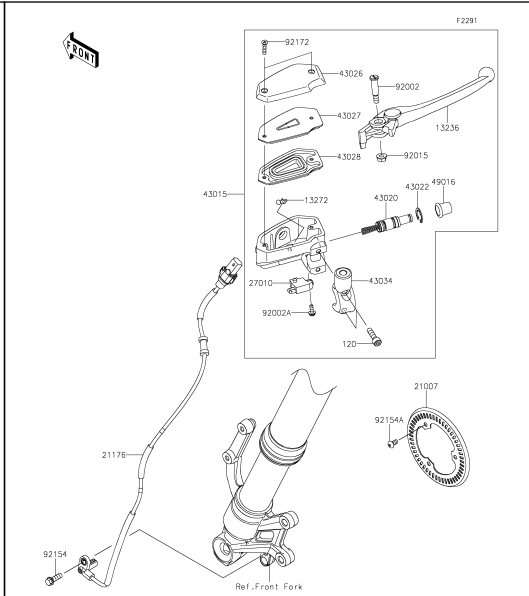


**40** Brake Pedal

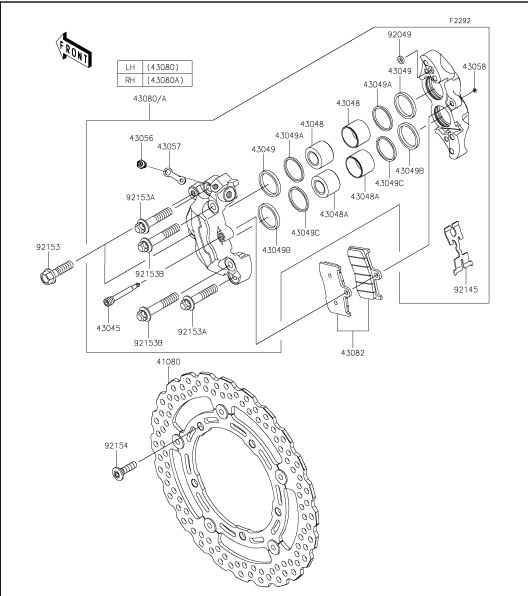




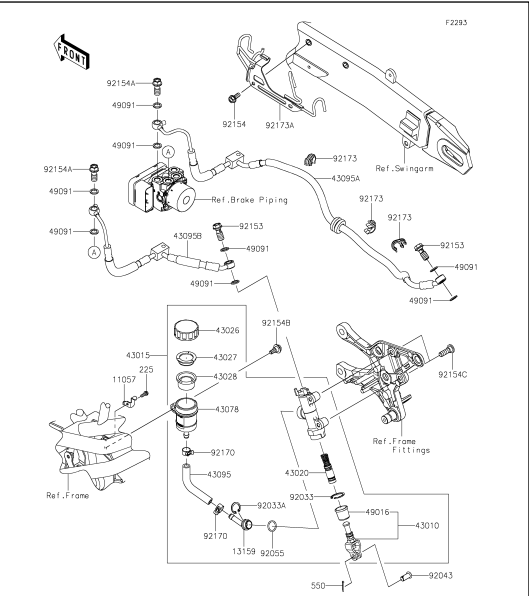
**41** Brake Piping



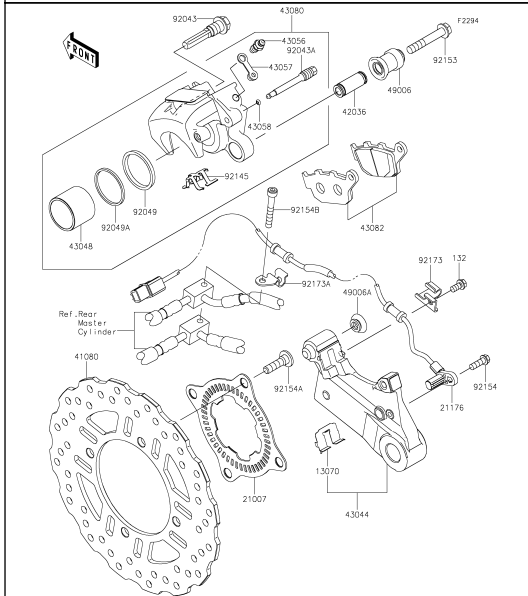
**42** Front Master Cylinder



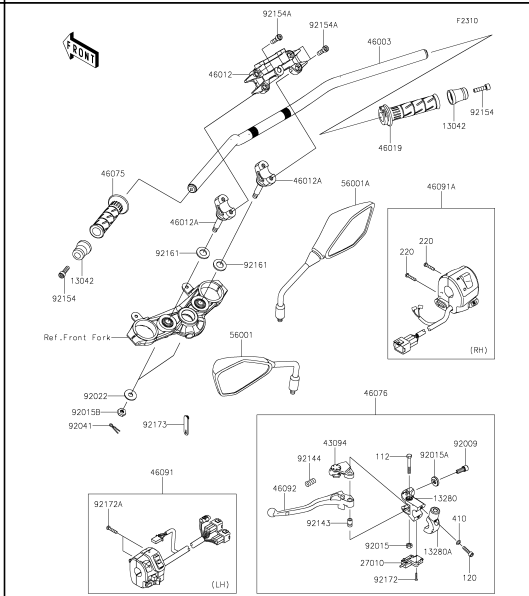
**43** Front Brake



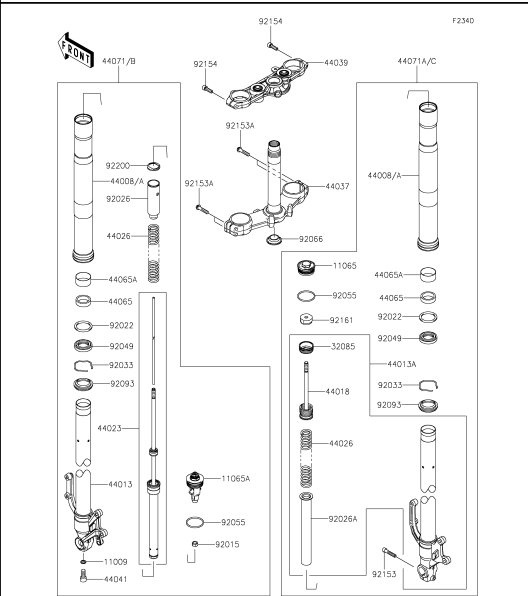
**44** Rear Master Cylinder



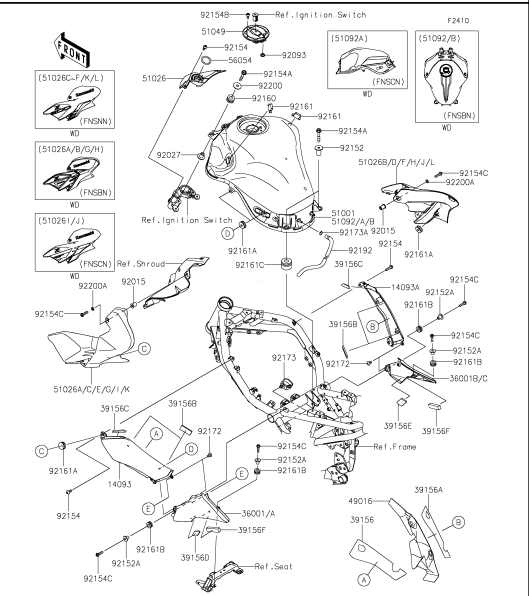
**45** Rear Brake



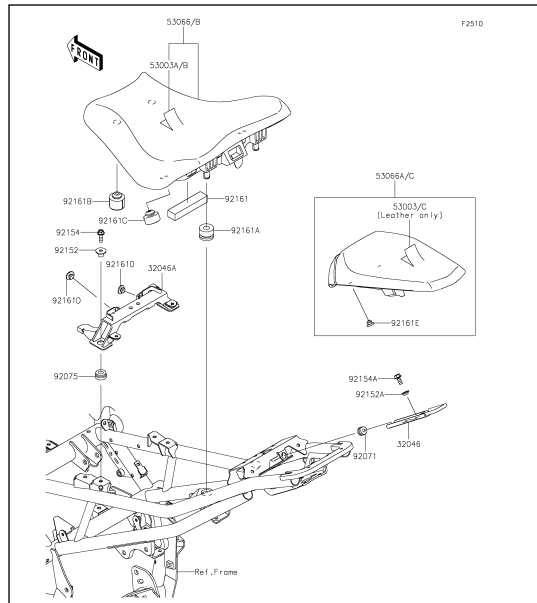
**46** Handlebar



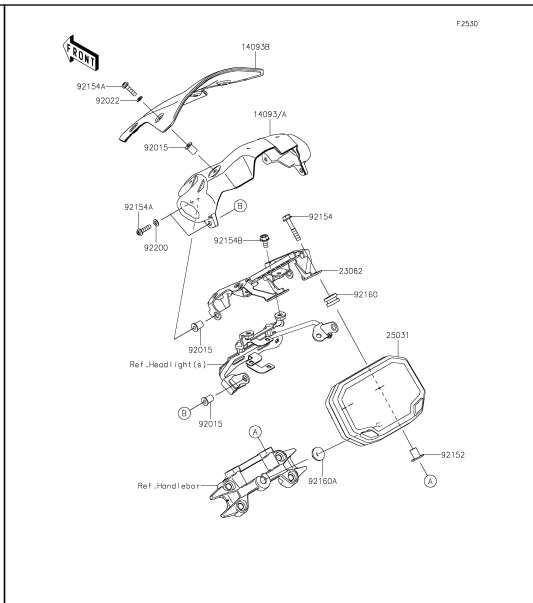
**47** Front Fork



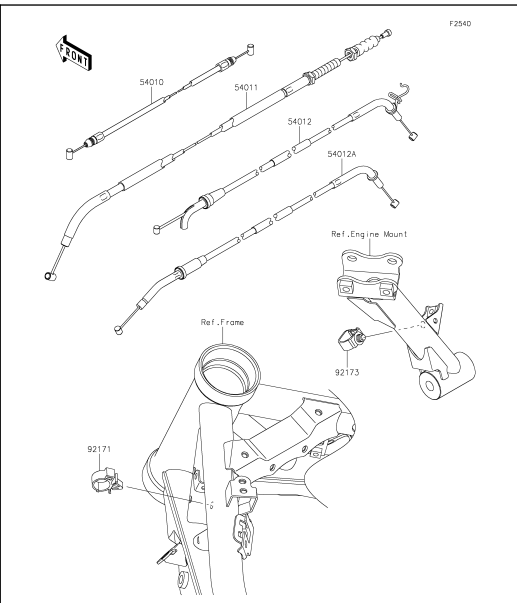
**48** Fuel Tank



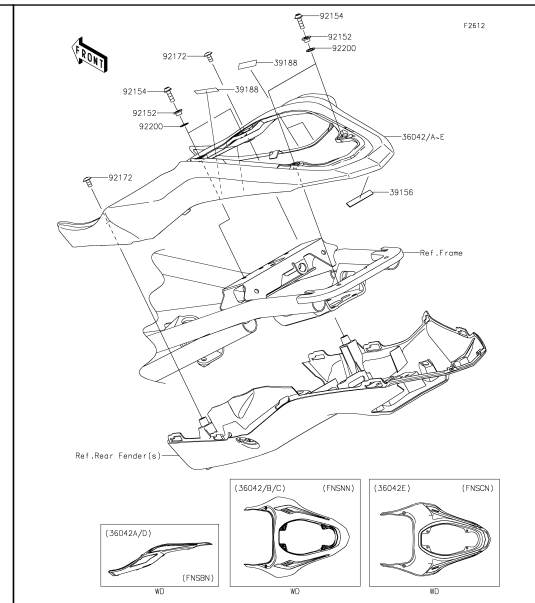
**49** Seat



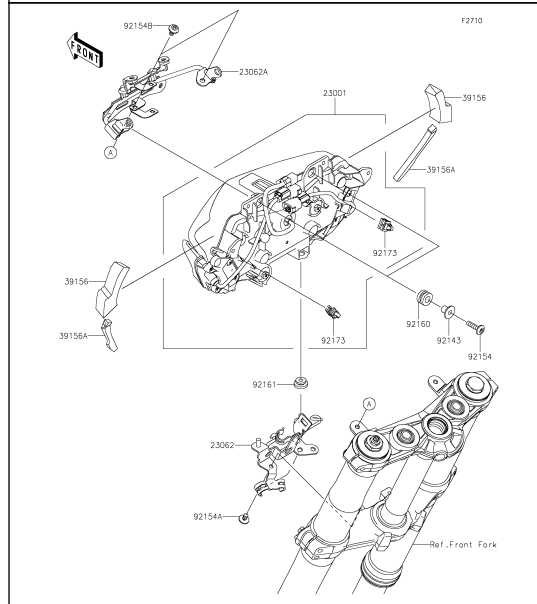
**50** Meter(s)



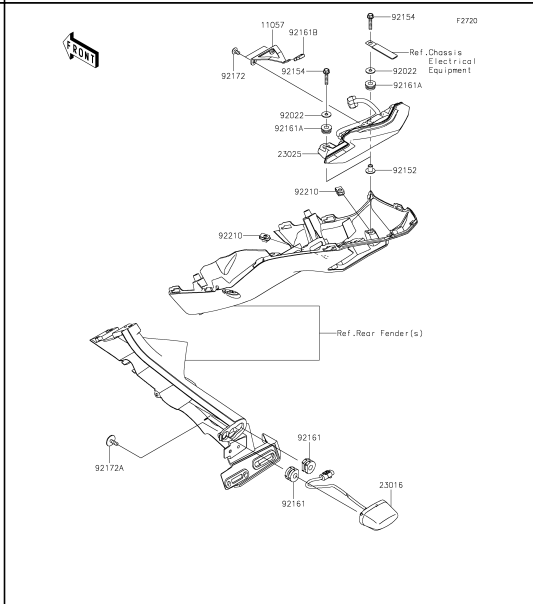
**51** Cables



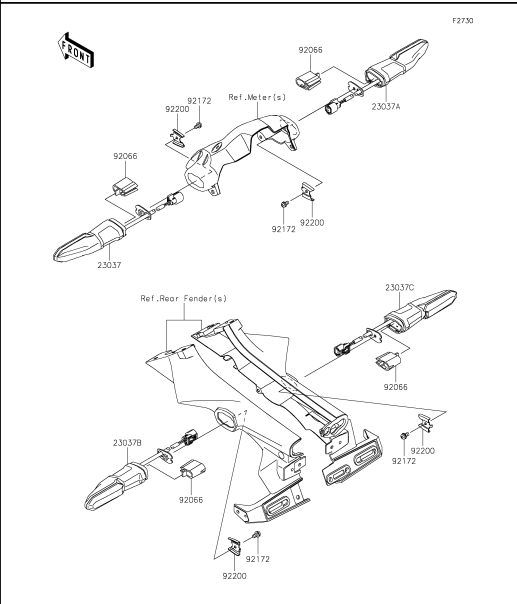
**52** Seat Cover



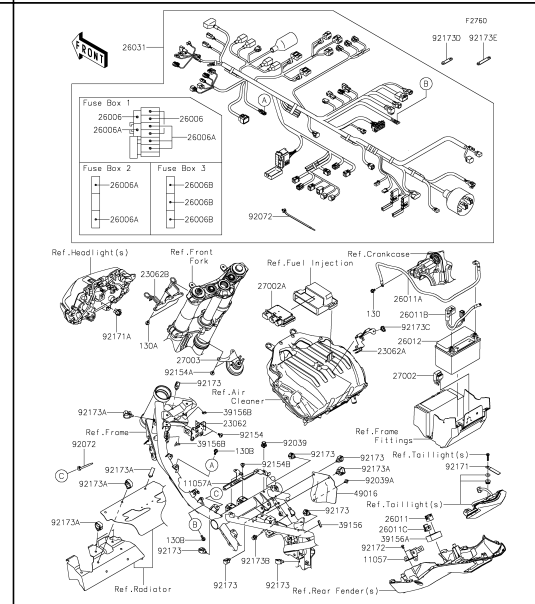
**53** Headlight(s)



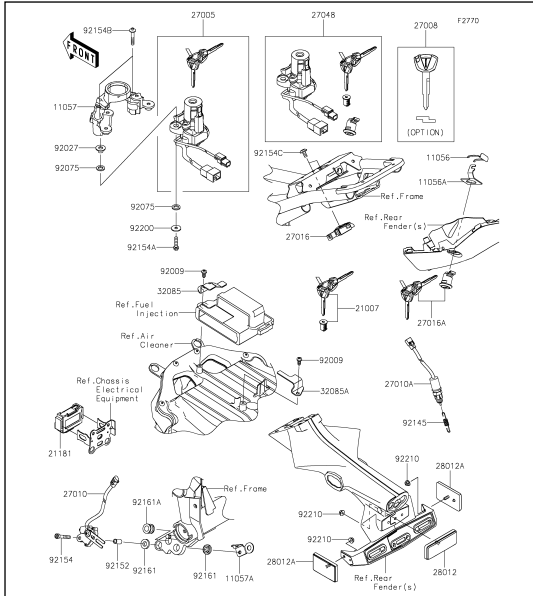
**54** Taillight(s)



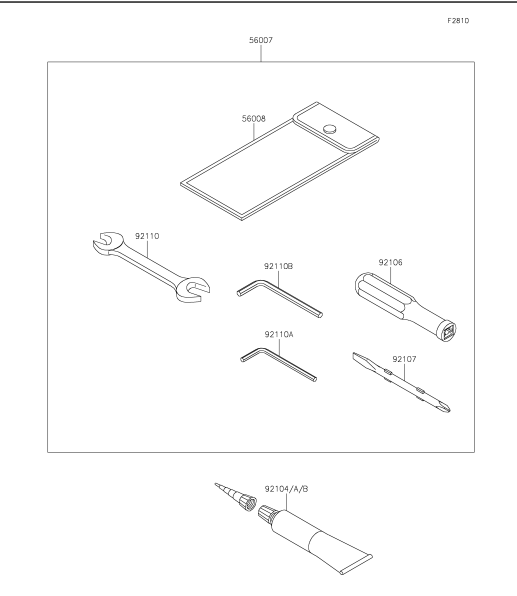
**55** Turn Signals



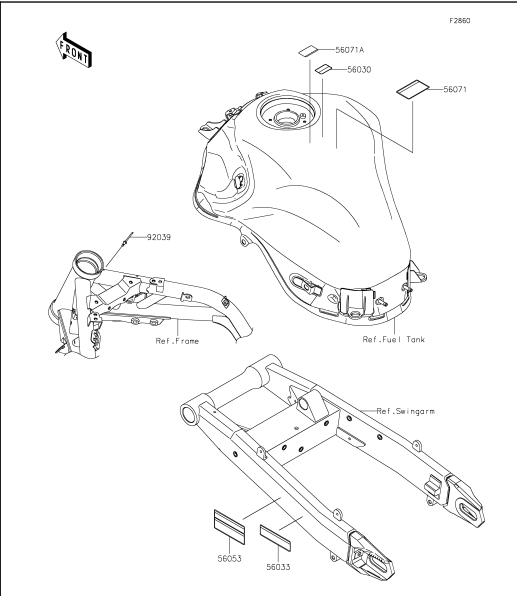
**56** Chassis Electrical Equipment



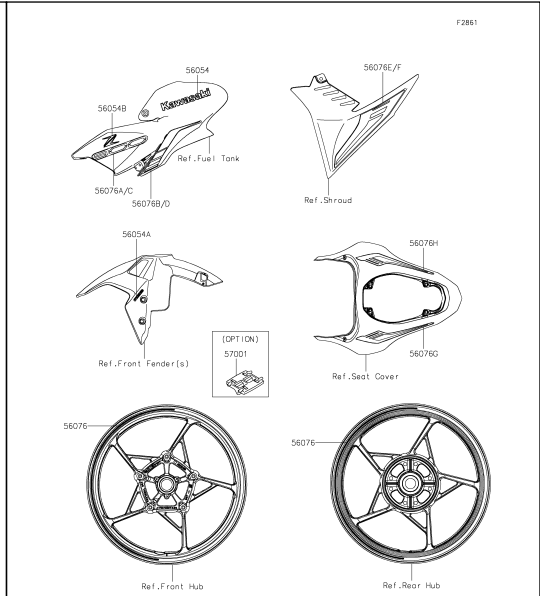
**57** Ignition Switch



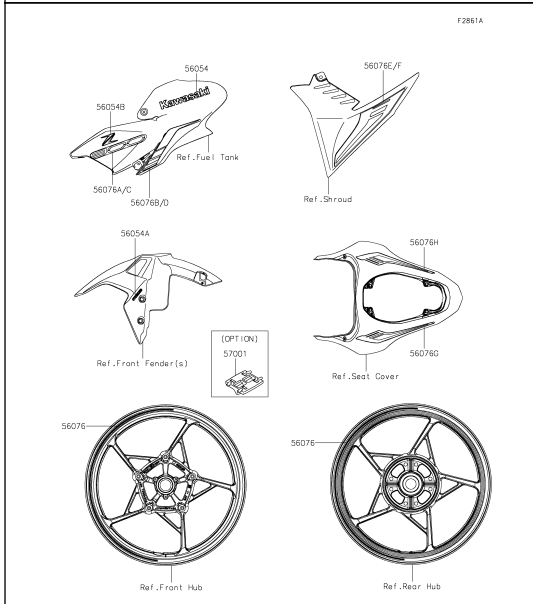
**58** Owner's Tools



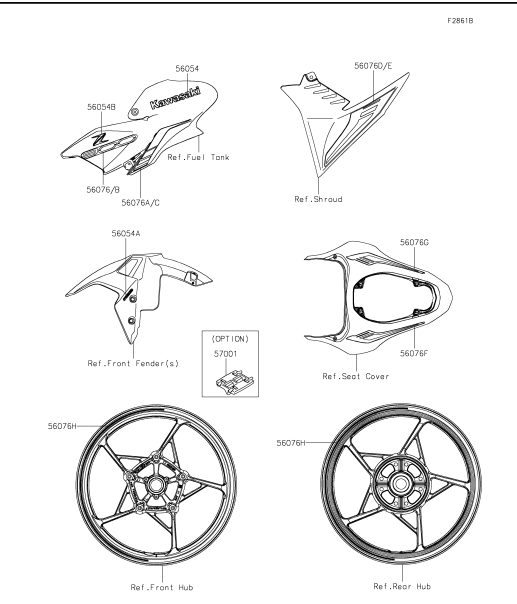
**59** Labels



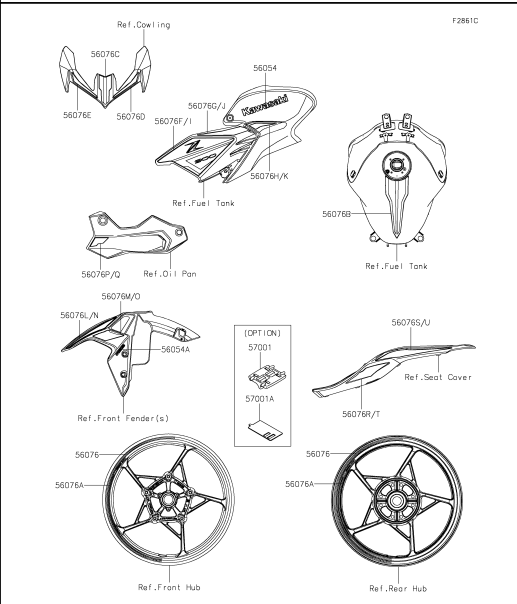
**60** Decals(Blue)(FNSNN)



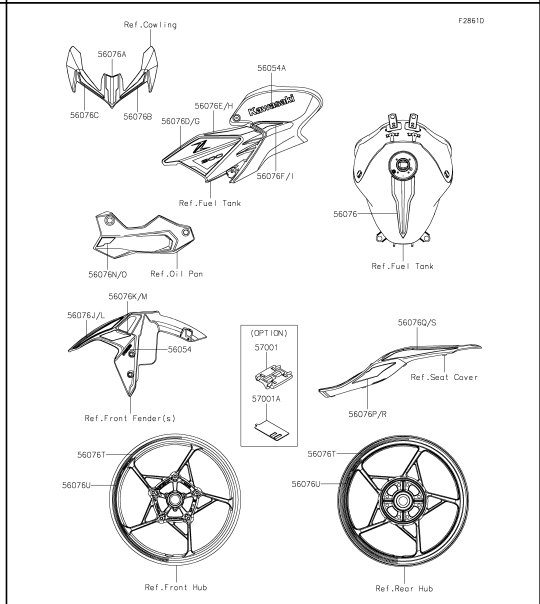
**61** Decals(Black)(FNSNN)



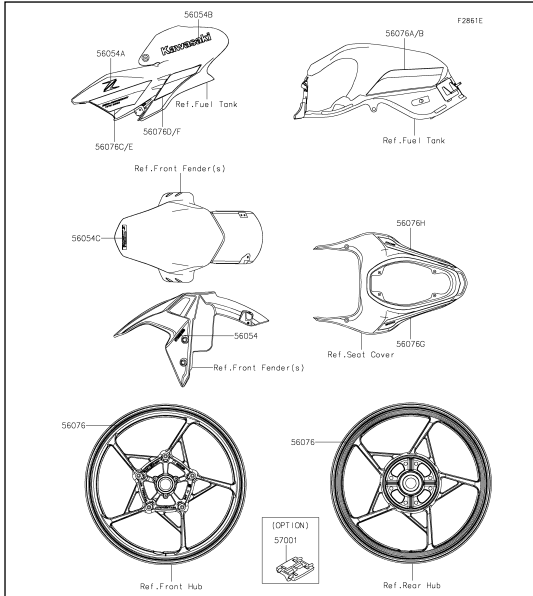
**62** Decals(White)(FNSNN)



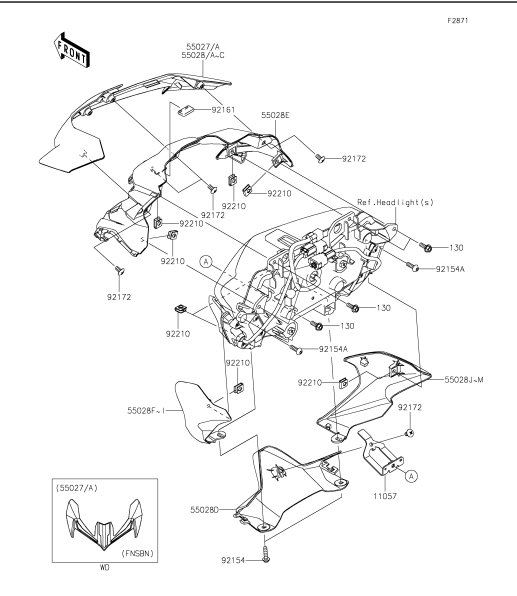
**63** Decals(Green)(FNSBN)



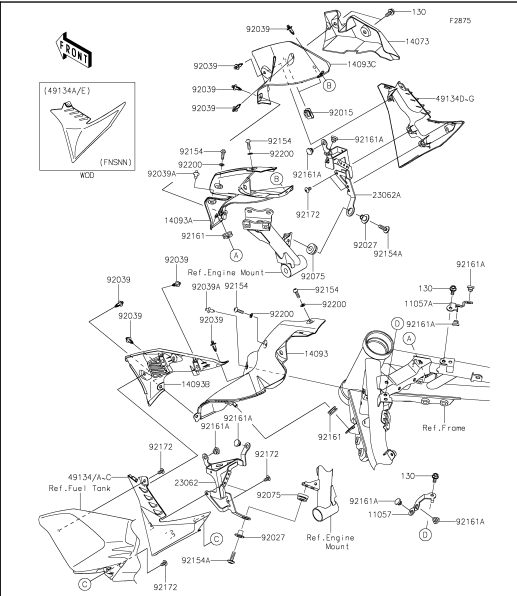
**64** Decals(White)(FNSBN)



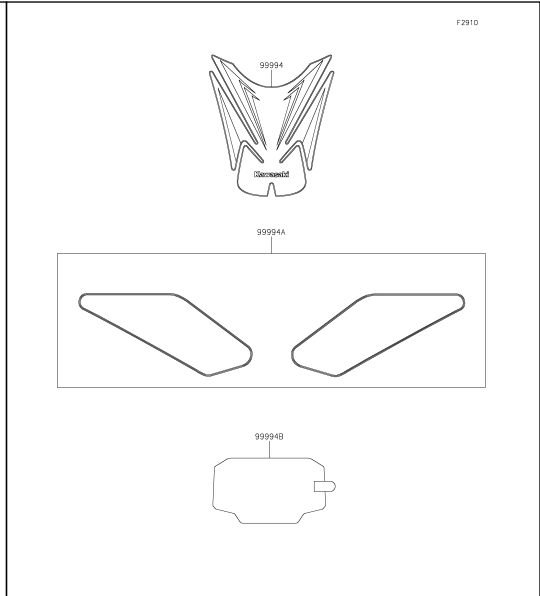
**65** Decals(Red)(FNSCN)



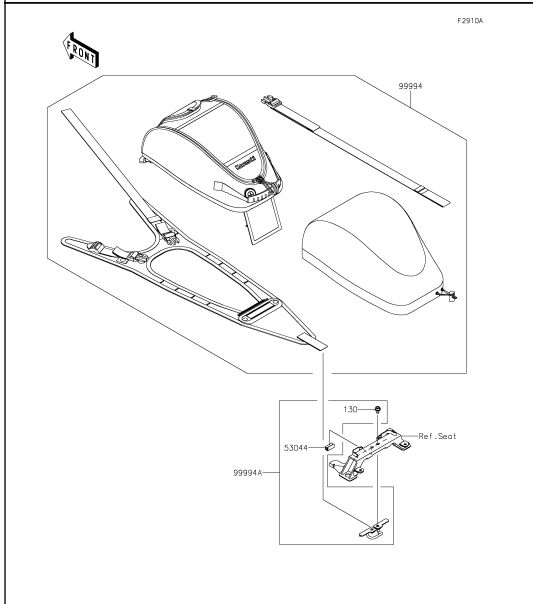
**66** Cowling



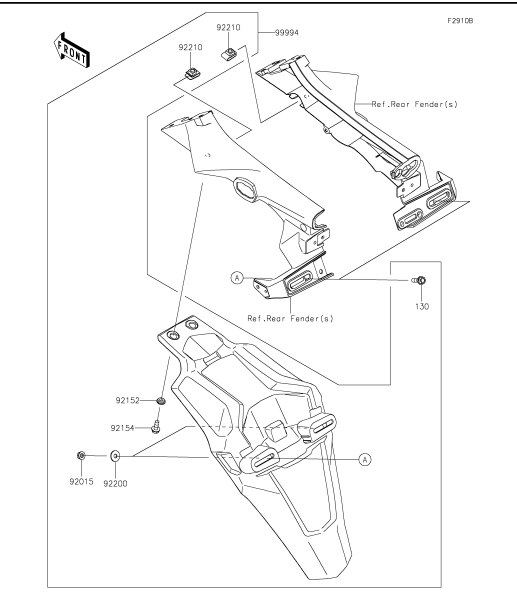
**67** Shroud



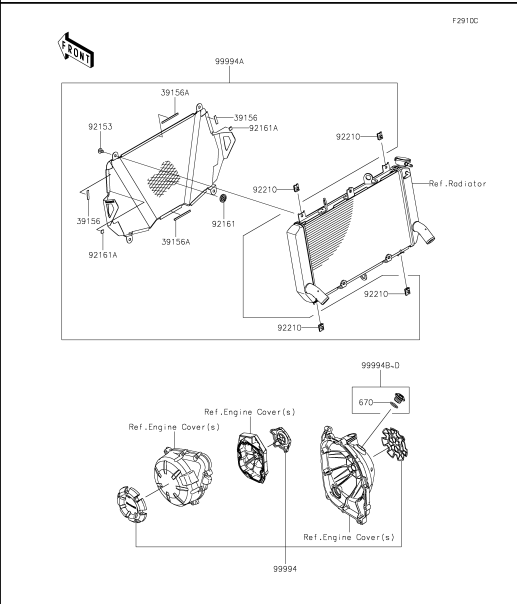
**68** Accessory(Tank Pads and Meter Film)



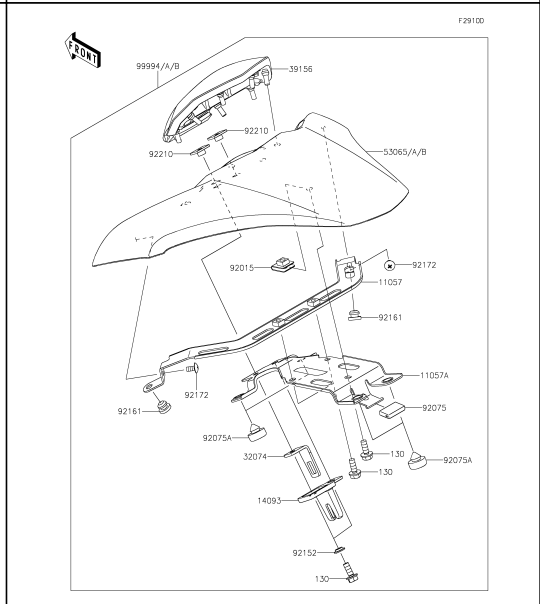
**69** Accessory(Tank Bag)



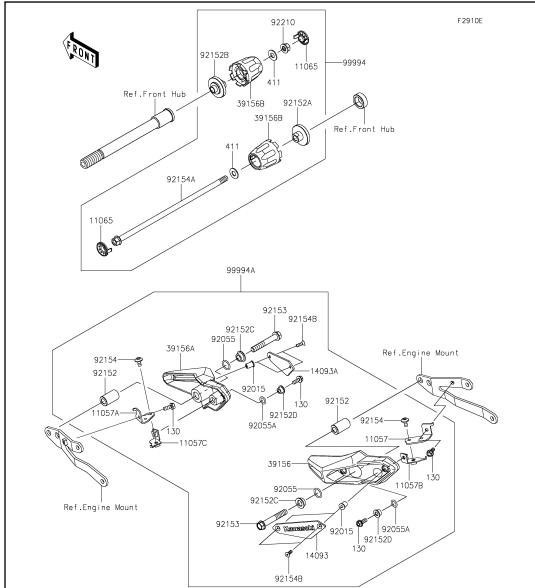
**70** Accessory(Extended Flap)



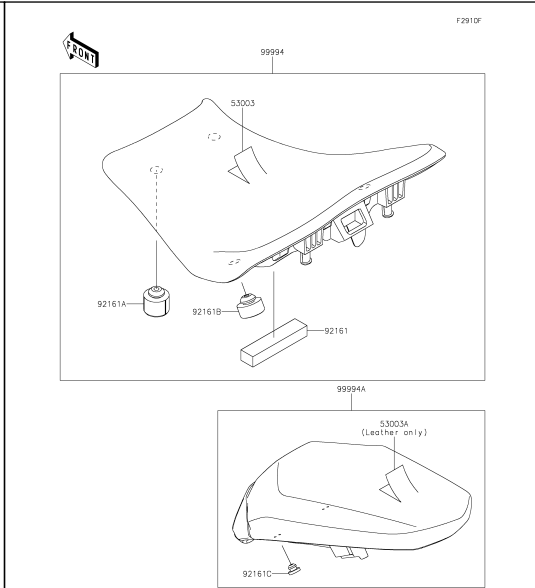
**71** Accessory(ENG. Cover Ring and Cap)



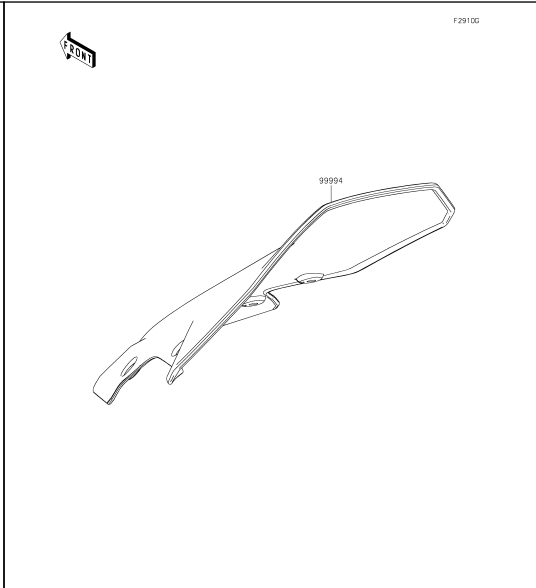
**72** Accessory(Pillion Seat Cover)



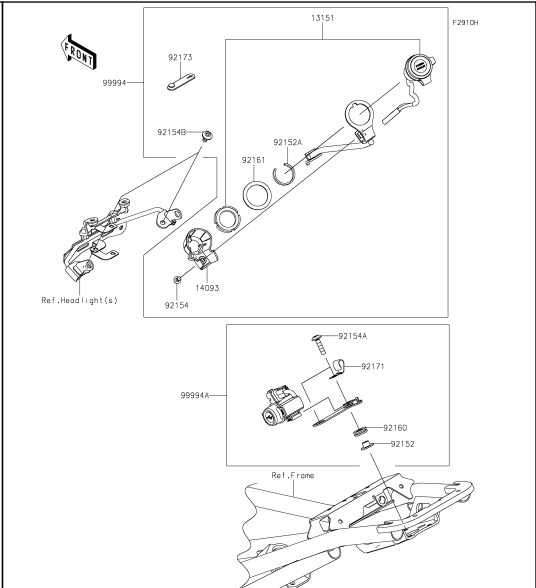
**73** Accessory(Slider)



**74** Accessory(Seat)

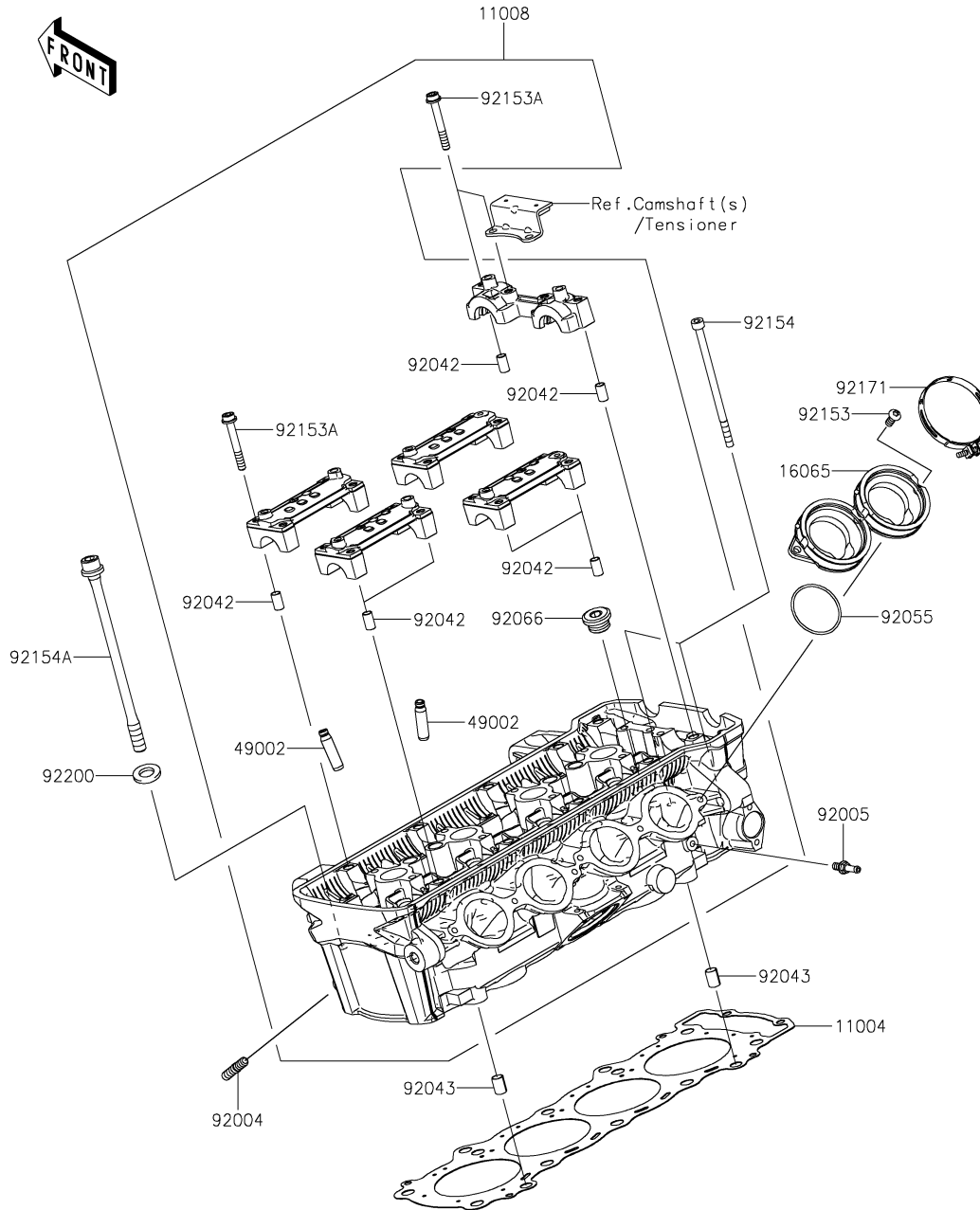


**75** Accessory(Large Meter Cover)



**76** Accessory(DC and USB Socket)

E1111

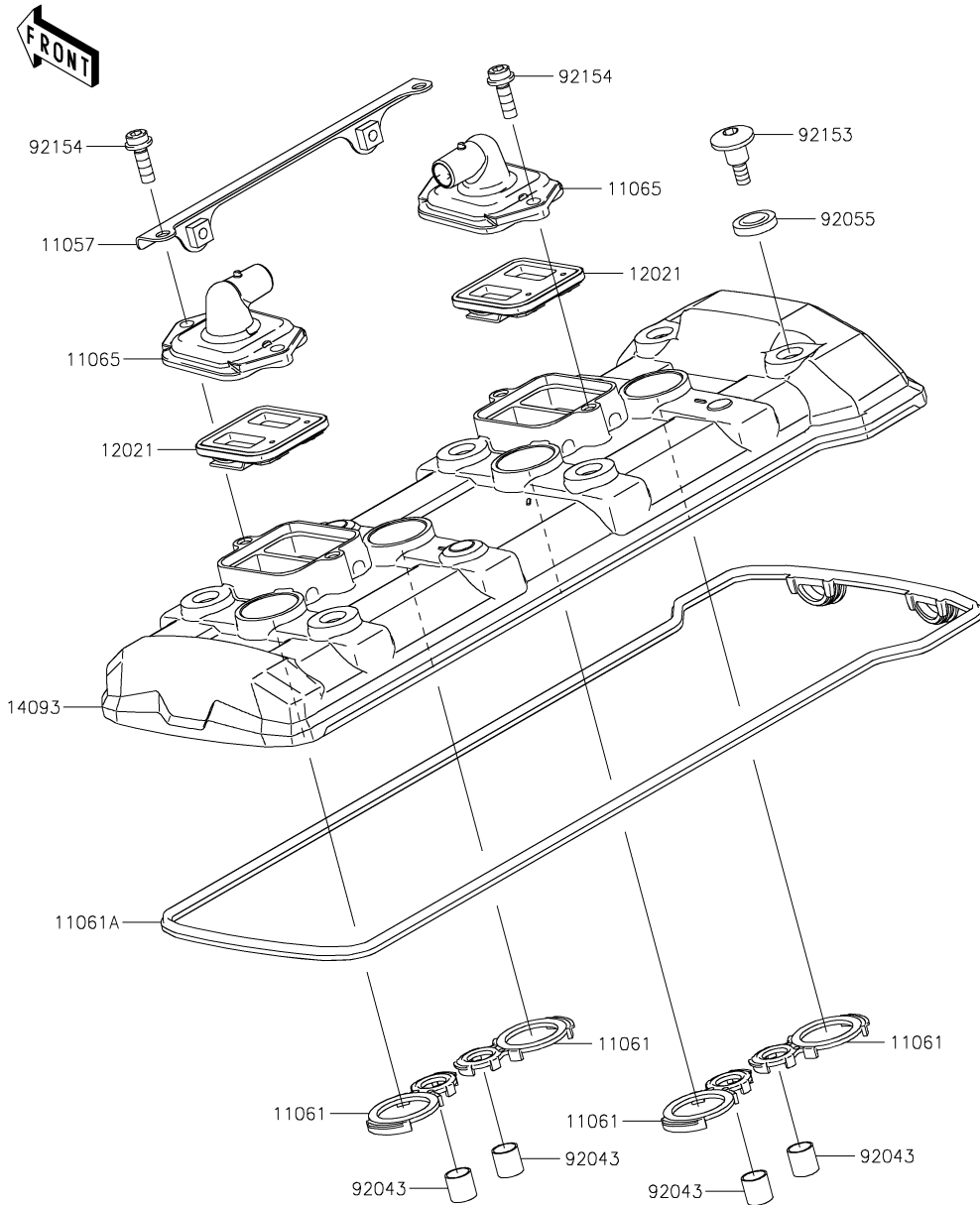


## 1. Cylinder Head

Ref. No.	Part No.	Description	Spec Code	Quantity				
				'22	'22	'22		
				FNSNN	FNSBN	FNSCN		
11004	11004-0769	GASKET-HEAD		1	1	1		
11008	11008-0998	HEAD-COMP-CYLINDER		1	1	1		
16065	16065-0132	HOLDER-CARBURETOR		2	2	2		
49002	49002-0009	GUIDE-VALVE		16	16	16		
92004	92004-0050	STUD		8	8	8		
92005	92005-0826	FITTING		1	1	1		
92042	92042-007	PIN,DOWEL,6.3X8X14		10	10	10		
92043	92043-1264	PIN,8.2X10X14		2	2	2		
92055	92055-1536	RING-O,42X1.9		4	4	4		
92066	92066-0832	PLUG,18X10		5	5	5		
92153	92153-0406	BOLT,TORX,6X14		6	6	6		
92153A	92153-0656	BOLT,SOCKET,6X45		20	20	20		
92154	92154-0205	BOLT,SOCKET,6X115		2	2	2		
92154A	92154-2638	BOLT,FLANGED,10X165		10	10	10		
92171	92171-0729	CLAMP,60MM		4	4	4		
92200	92200-1691	WASHER,10.2X18.4X1.8		10	10	10		

# '22 ZR900 FNSNN/FNSBN/FNSCN

E1112

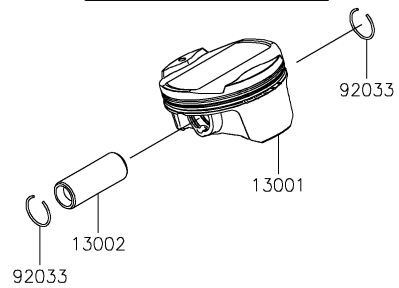
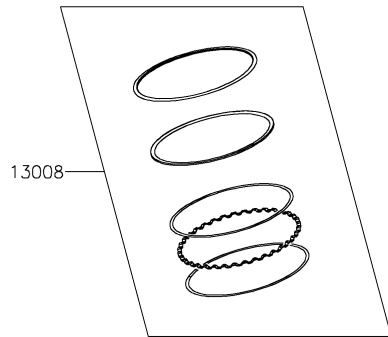
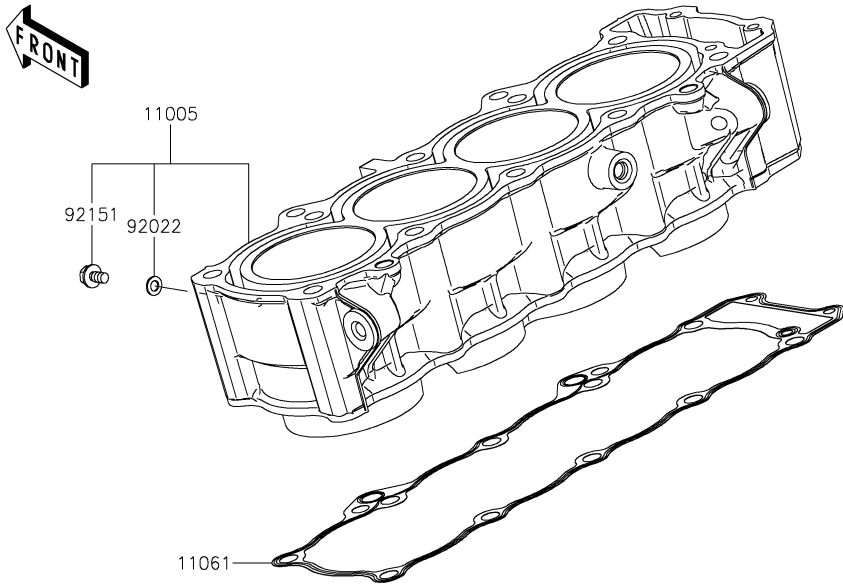


## 2. Cylinder Head Cover

Ref. No.	Part No.	Description	Spec Code	Quantity				
				'22	'22	'22		
				FNSNN	FNSBN	FNSCN		
11057	11057-0299	BRACKET,HEAT COVER		1	1	1		
11061	11061-1213	GASKET,SPARK PLUG		4	4	4		
11061A	11061-1214	GASKET,HEAD		1	1	1		
11065	11065-0328	CAP,HEAD COVER		2	2	2		
12021	12021-0016	VALVE-ASSY-REED		2	2	2		
14093	14093-0521	COVER,HEAD		1	1	1		
92043	92043-4009	PIN,10.1X12X14		4	4	4		
92055	92055-0785	RING-O		6	6	6		
92153	92153-1779	BOLT,SOCKET,6X22.5		6	6	6		
92154	92154-0351	BOLT,SOCKET,6X18		4	4	4		

# '22 ZR900 FNSNN/FNSBN/FNSCN

E1120

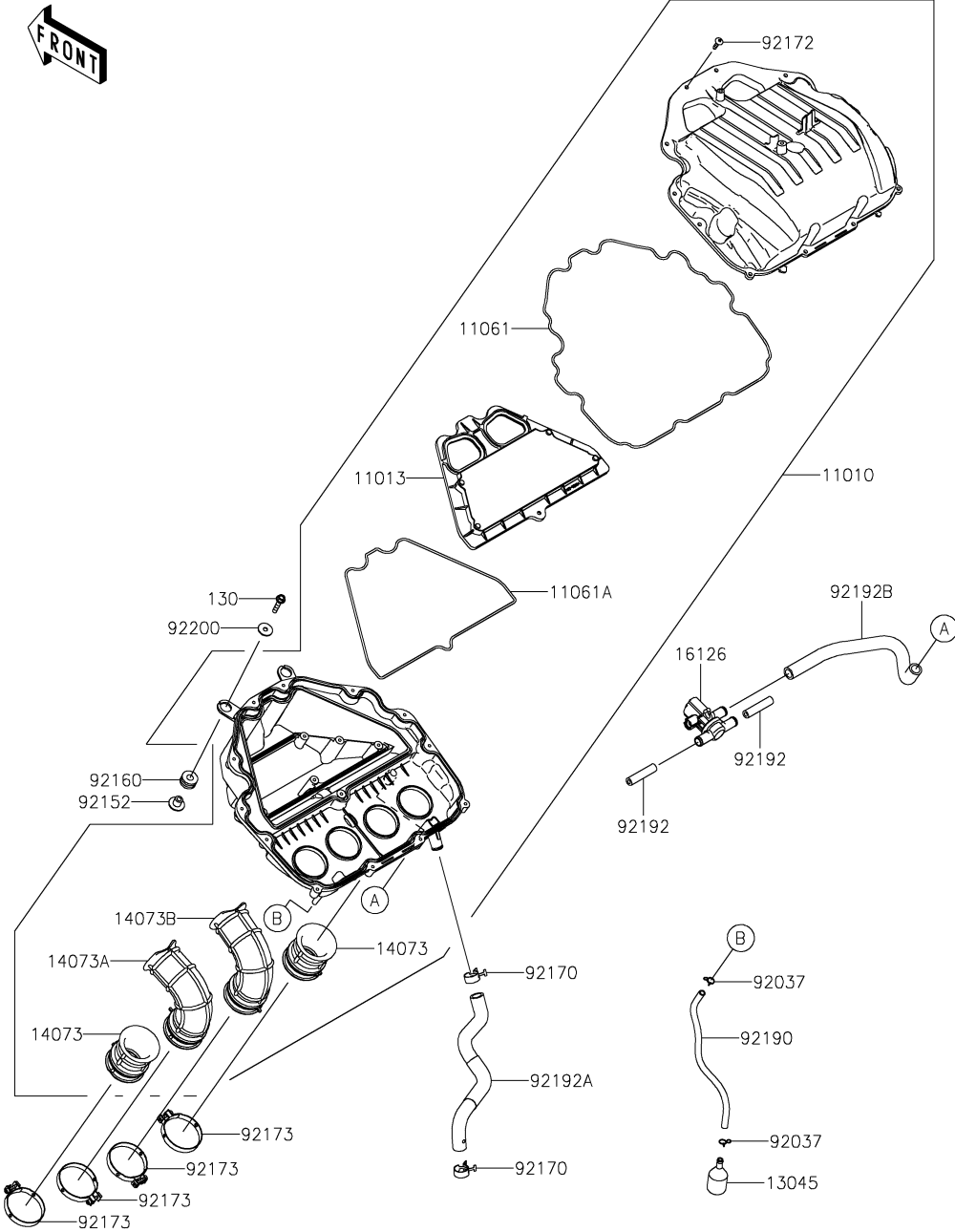


## 3. Cylinder/Piston(s)

Ref. No.	Part No.	Description	Spec Code	Quantity				
				'22	'22	'22		
				FNSNN	FNSBN	FNSCN		
11005	11005-0672	CYLINDER-ENGINE		1	1	1		
11061	11061-0402	GASKET,CYLINDER BASE		1	1	1		
13001	13001-0788	PISTON-ENGINE		4	4	4		
13002	13002-0004	PIN-PISTON		4	4	4		
13008	13008-0571	RING-SET-PISTON		4	4	4		
92022	92022-304	WASHER,6.2X11X1		1	1	1		
92033	92033-1054	RING-SNAP		8	8	8		
92151	92151-1344	BOLT,6X10		1	1	1		



# '22 ZR900 FNSNN/FNSBN/FNSCN



## 4. Air Cleaner

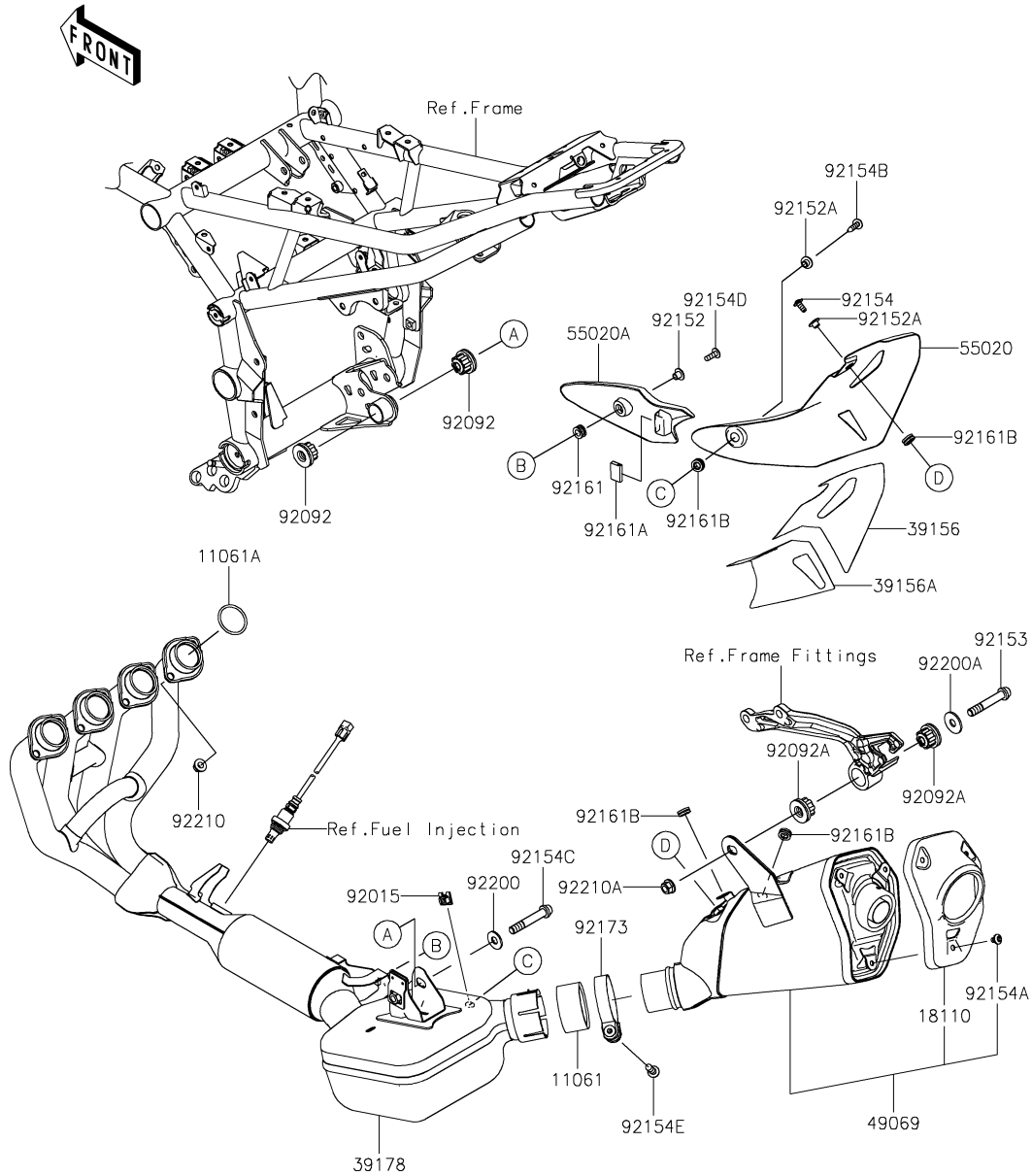
Ref. No.	Part No.	Description	Spec Code	Quantity				
				'22	'22	'22		
				FNSNN	FNSBN	FNSCN		
11010	11010-0949	FILTER-ASSY-AIR	1	1	1			
11013	11013-0760	ELEMENT-AIR FILTER	1	1	1			
11061	11061-1215	GASKET,CASE	1	1	1			
11061A	11061-1216	GASKET,ELEMENT	1	1	1			
13045	13045-1057	RECEIVER-OIL	1	1	1			
14073	14073-0943	DUCT,#1,#4	2	2	2			
14073A	14073-0944	DUCT,#2	1	1	1			
14073B	14073-0945	DUCT,#3	1	1	1			
16126	16126-0745	VALVE,AIR SWITCHING	1	1	1			
92037	92037-1712	CLAMP	2	2	2			
92152	92152-0547	COLLAR,6.5X10.5X13.1	2	2	2			
92160	92160-1162	DAMPER	2	2	2			
92170	92170-1060	CLAMP	2	2	2			
92172	92172-0483	SCREW,TAPPING,5X20	13	13	13			
92173	92173-2484	CLAMP,58MM	4	4	4			
92190	92190-1253	TUBE,6X9X300	1	1	1			
92192	92192-0843	TUBE,HEAD-ASWV	2	2	2			
92192A	92192-1692	TUBE,BLOWBY	1	1	1			
92192B	92192-1693	TUBE,ASV-A/C	1	1	1			
92200	92200-1087	WASHER,6.5X22X1.6	2	2	2			
130	130BB0630	BOLT-FLANGED,6X30	2	2	2			

E1140

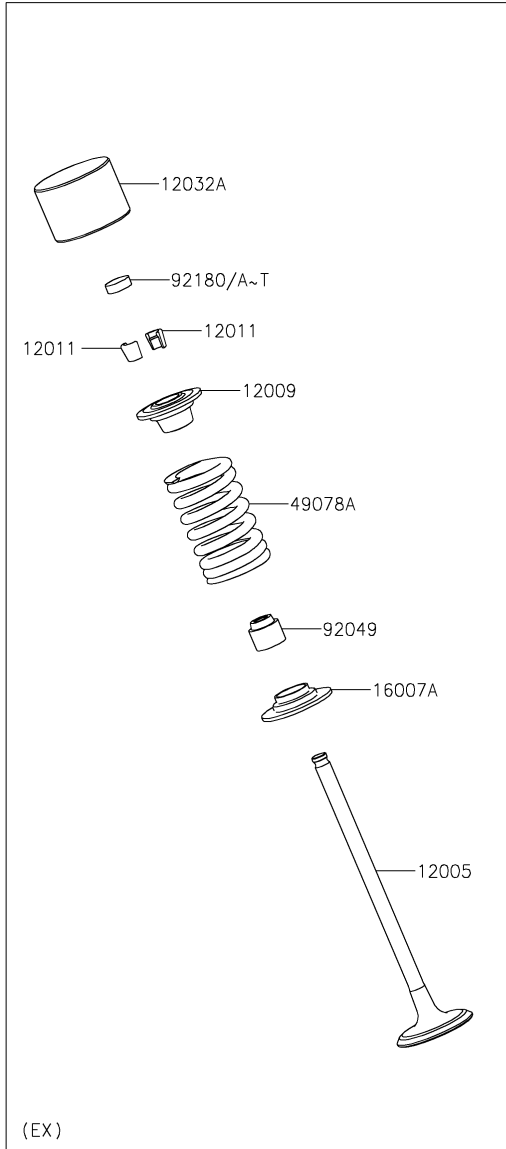
5. Muffler(s)

Ref. No.	Part No.	Description	Spec Code	Quantity				
				'22	'22	'22		
				FNSNN	FNSBN	FNSCN		

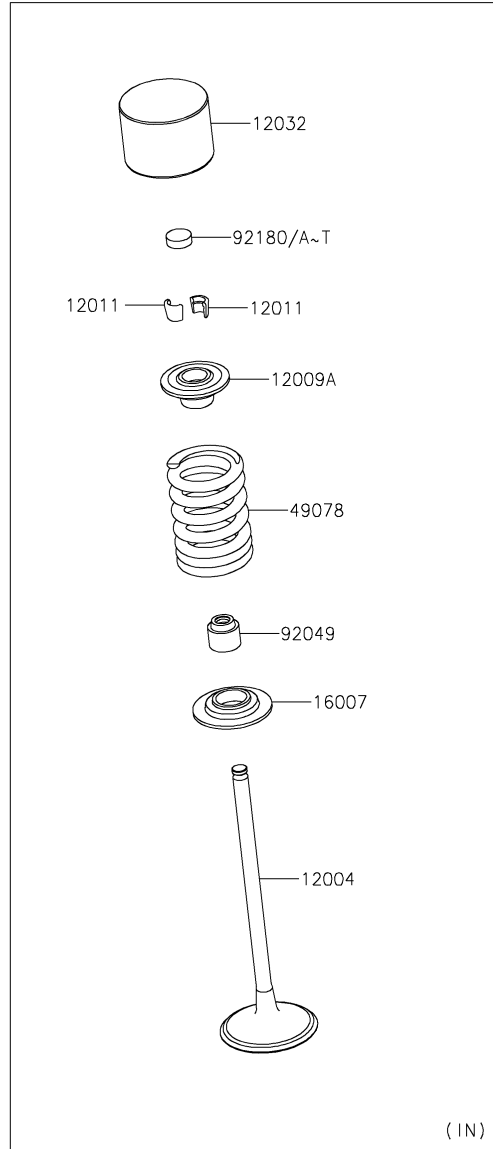
11061	11061-0447	GASKET,50.8X62X30		1	1	1		
11061A	11061-1373	GASKET,EXHAUST PIPE HOLDER		4	4	4		
18110	18110-0196	BODY END-MUFFLER		1	1	1		
39156	39156-2130	PAD,MUFFLER GUARD		1	1	1		
39156A	39156-2131	PAD,MUFFLER GUARD		1	1	1		
39178	39178-0368	MANIFOLD-COMP-EXHAUST		1	1	1		
49069	49069-0861	MUFFLER-ASSY		1	1	1		
55020	55020-1966	GUARD,MUFFLER,RR		1	1	1		
55020A	55020-1967	GUARD,MUFFLER,FR		1	1	1		
92015	92015-1487	NUT		1	1	1		
92092	92092-1081	BUSHING-RUBBER		2	2	2		
92092A	92092-1087	BUSHING-RUBBER,MUFFLER		2	2	2		
92152	92152-0237	COLLAR,6.3X8.3X9.2		1	1	1		
92152A	92152-1602	COLLAR,6.3X8.3X16		2	2	2		
92153	92153-1837	BOLT,SOCKET,10X60		1	1	1		
92154	92154-0856	BOLT,SOCKET,6X14		1	1	1		
92154A	92154-0987	BOLT,HEX HEAD,6X8		3	3	3		
92154B	92154-1192	BOLT,SOCKET,6X27		1	1	1		
92154C	92154-1281	BOLT,SOCKET		1	1	1		
92154D	92154-2340	BOLT,SOCKET,6X18		1	1	1		
92154E	92154-2738	BOLT-FLANGED-SMALL,8X40		1	1	1		
92161	92161-0204	DAMPER		1	1	1		
92161A	92161-1228	DAMPER		1	1	1		
92161B	92161-1475	DAMPER		4	4	4		
92173	92173-0284	CLAMP,64.5MM		1	1	1		
92200	92200-1377	WASHER,10.5X25X2.0		1	1	1		
92200A	92200-1849	WASHER,10.5X30X2.3		1	1	1		
92210	92210-0076	NUT,8MM		8	8	8		
92210A	92210-1139	NUT,LOCK,FLANGED,10MM		1	1	1		



E1210



(EX)

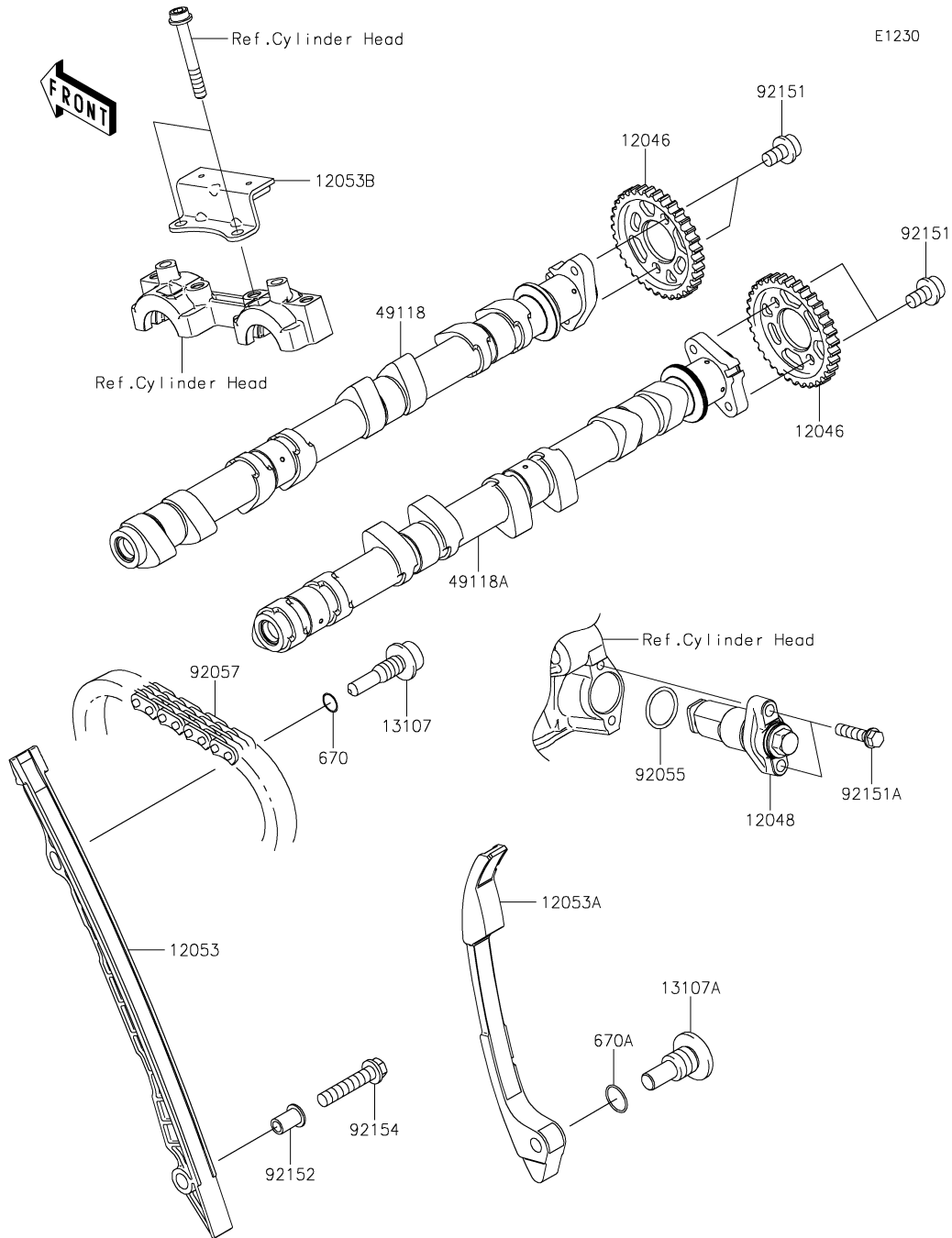


(IN)

## 6. Valve(s)

Ref. No.	Part No.	Description	Spec Code	Quantity				
				'22	'22	'22		
				FNSNN	FNSBN	FNSCN		
12004	12004-0750	VALVE-INTAKE		8	8	8		
12005	12005-0771	VALVE-EXHAUST		8	8	8		
12009	12009-0030	RETAINER-VALVE SPRING		8	8	8		
12009A	12009-1091	RETAINER-VALVE SPRING		8	8	8		
12011	12011-1053	COLLET		32	32	32		
12032	12032-0009	TAPPET		8	8	8		
12032A	12032-0018	TAPPET		8	8	8		
16007	16007-0034	SEAT-SPRING		8	8	8		
16007A	16007-1227	SEAT-SPRING		8	8	8		
49078	49078-0073	SPRING-ENGINE VALVE		8	8	8		
49078A	49078-0743	SPRING-ENGINE VALVE		8	8	8		
92049	92049-1349	SEAL-OIL,VSB 4.3 7.5 5.3 8.3		16	16	16		
92180	92180-1014	SHIM,T=2.50		16	16	16		
92180A	92180-1016	SHIM,T=2.55		AR	AR	AR		
92180B	92180-1018	SHIM,T=2.60		AR	AR	AR		
92180C	92180-1020	SHIM,T=2.65		AR	AR	AR		
92180D	92180-1022	SHIM,T=2.70		AR	AR	AR		
92180E	92180-1024	SHIM,T=2.75		AR	AR	AR		
92180F	92180-1026	SHIM,T=2.80		AR	AR	AR		
92180G	92180-1028	SHIM,T=2.85		AR	AR	AR		
92180H	92180-1030	SHIM,T=2.90		AR	AR	AR		
92180I	92180-1032	SHIM,T=2.95		AR	AR	AR		
92180J	92180-1034	SHIM,T=3.00		AR	AR	AR		
92180K	92180-1036	SHIM,T=3.05		AR	AR	AR		
92180L	92180-1038	SHIM,T=3.10		AR	AR	AR		
92180M	92180-1040	SHIM,T=3.15		AR	AR	AR		
92180N	92180-1042	SHIM,T=3.20		AR	AR	AR		
92180O	92180-1044	SHIM,T=3.25		AR	AR	AR		
92180P	92180-1046	SHIM,T=3.30		AR	AR	AR		
92180Q	92180-1048	SHIM,T=3.35		AR	AR	AR		
92180R	92180-1050	SHIM,T=3.40		AR	AR	AR		
92180S	92180-1052	SHIM,T=3.45		AR	AR	AR		
92180T	92180-1054	SHIM,T=3.50		AR	AR	AR		

# '22 ZR900 FNSNN/FNSBN/FNSCN

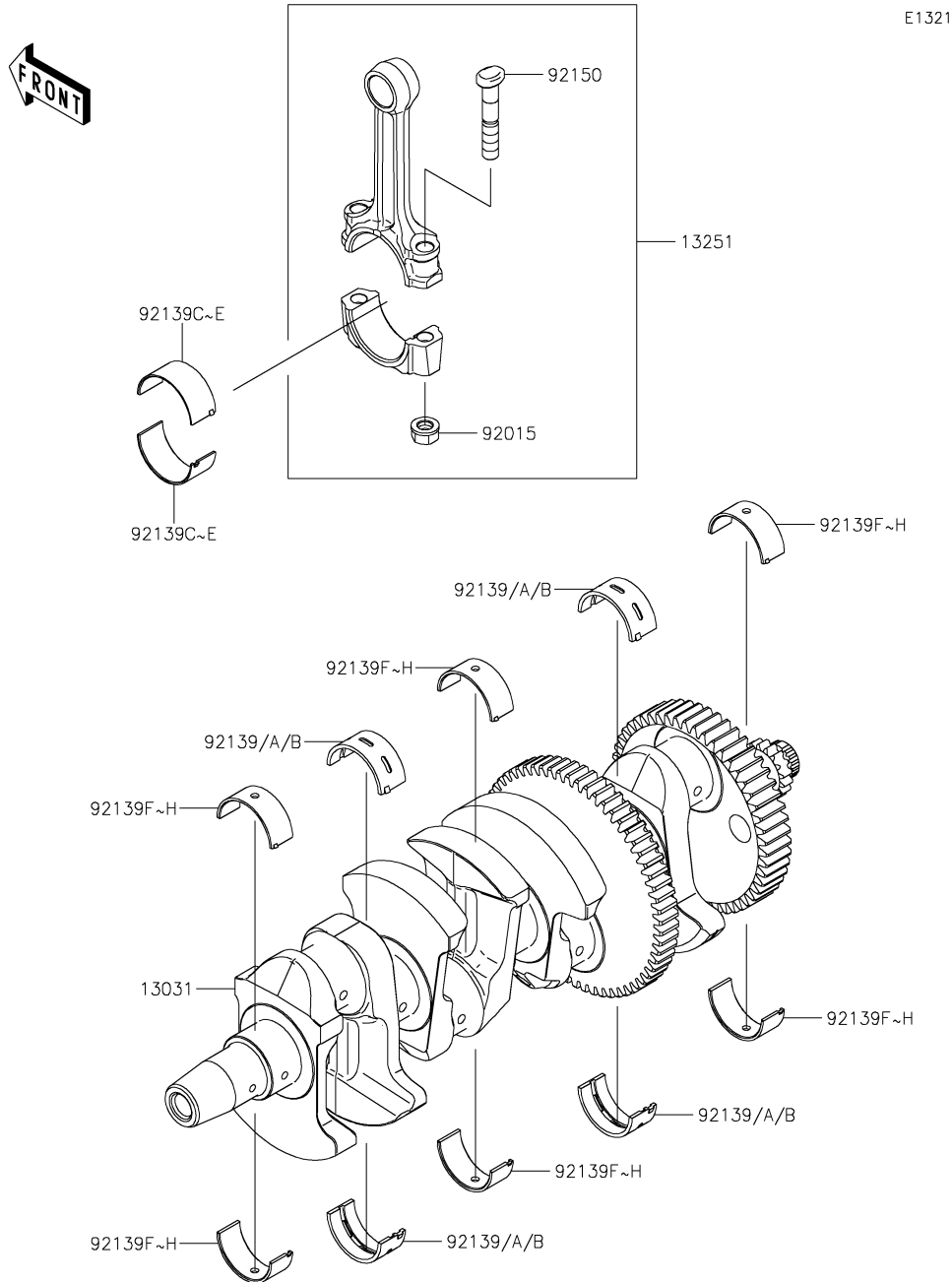


## 7. Camshaft(s)/Tensioner

Ref. No.	Part No.	Description	Spec Code	Quantity			
				'22	'22	'22	
				FNSNN	FNSBN	FNSCN	
12046	12046-0564	SPROCKET,CAMSHAFT,34T	2	2	2		
12048	12048-0080	TENSIONER-ASSY	1	1	1		
12053	12053-0161	GUIDE-CHAIN,FR	1	1	1		
12053A	12053-0162	GUIDE-CHAIN,RR	1	1	1		
12053B	12053-0163	GUIDE-CHAIN,UPP	1	1	1		
13107	13107-0157	SHAFT,CHAIN GUIDE	1	1	1		
13107A	13107-1376	SHAFT	1	1	1		
49118	49118-0942	CAMSHAFT-COMP,EXHAUST	1	1	1		
49118A	49118-0979	CAMSHAFT-COMP,INTAKE	1	1	1		
92055	92055-086	RING-O,18.8X1.9	1	1	1		
92057	92057-0202	CHAIN,98XRH2015-126M	1	1	1		
92151	92151-1829	BOLT,SOCKET,6X10	4	4	4		
92151A	92151-1930	BOLT,FLANGED-SMALL,6X25	2	2	2		
92152	92152-1167	COLLAR	1	1	1		
92154	92154-1942	BOLT,FLANGED,6X30	1	1	1		
670	670D1509	O RING,9MM	1	1	1		
670A	670D2014	O RING,14MM	1	1	1		

# '22 ZR900 FNSNN/FNSBN/FNSCN

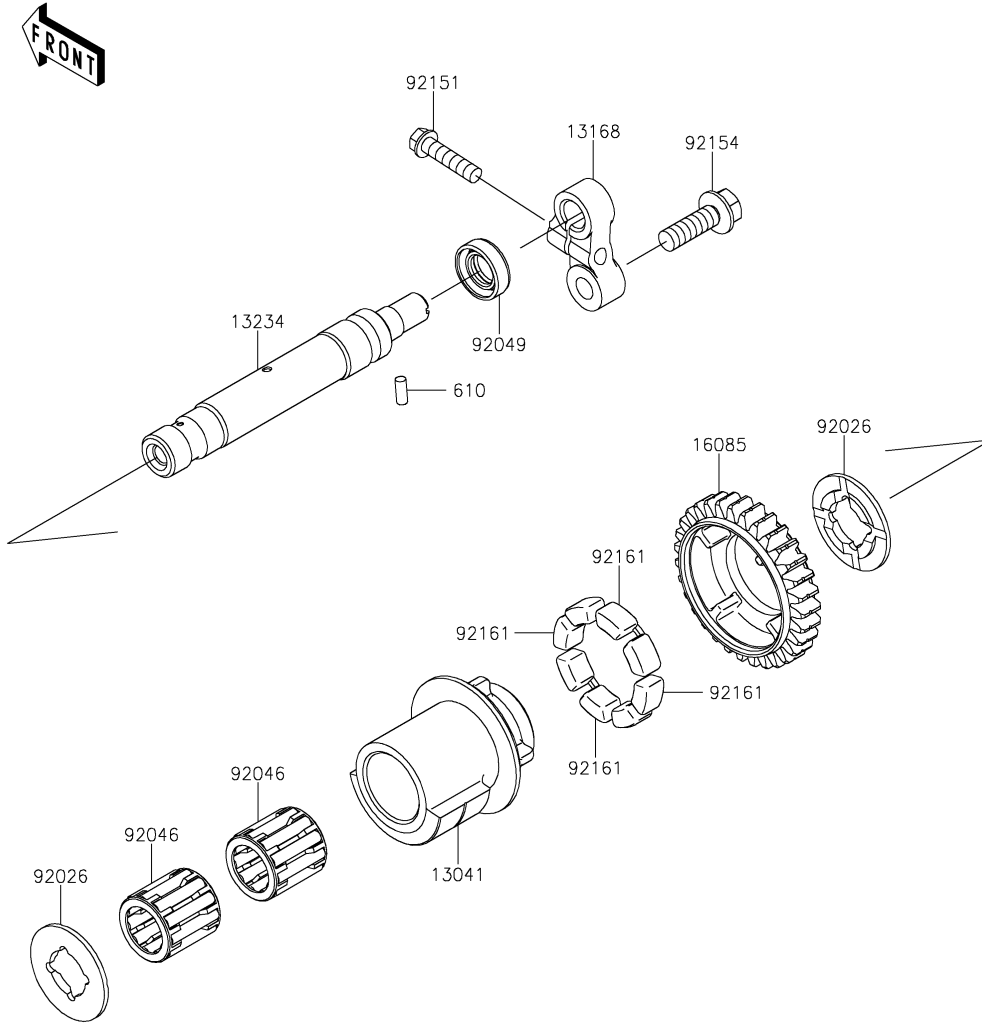
# 8. Crankshaft



Ref. No.	Part No.	Description	Spec Code	Quantity		
				'22	'22	'22
				FNSNN	FNSBN	FNSCN
13031	13031-0945	CRANKSHAFT-COMP	1	1	1	
13251	13251-0739-II	ROD-ASSY-CONNECTING,II	4	4	4	
92015	92015-1311	NUT,FLANGED,8MM	8	8	8	
92139	92139-0032	BUSHING,CRANK #2&#4,BLUE	AR	AR	AR	
92139A	92139-0033	BUSHING,CRANK #2&#4,BLACK	4	4	4	
92139B	92139-0034	BUSHING,CRANK #2&#4,BROWN	AR	AR	AR	
92139C	92139-0122	BUSHING,CRANK PIN,BLUE	AR	AR	AR	
92139D	92139-0123	BUSHING,CRANK PIN,BLACK	8	8	8	
92139E	92139-0124	BUSHING,CRANK PIN,BROWN	AR	AR	AR	
92139F	92139-0217	BUSHING,CRANK,#1&#3&#5,BLUE	AR	AR	AR	
92139G	92139-0218	BUSHING,CRANK,#1&#3&#5,BLACK	6	6	6	
92139H	92139-0219	BUSHING,CRANK,#1&#3&#5,BROWN	AR	AR	AR	
92150	92150-1216	BOLT,CONNECTING ROD,8MM	8	8	8	

# '22 ZR900 FNSNN/FNSBN/FNSCN

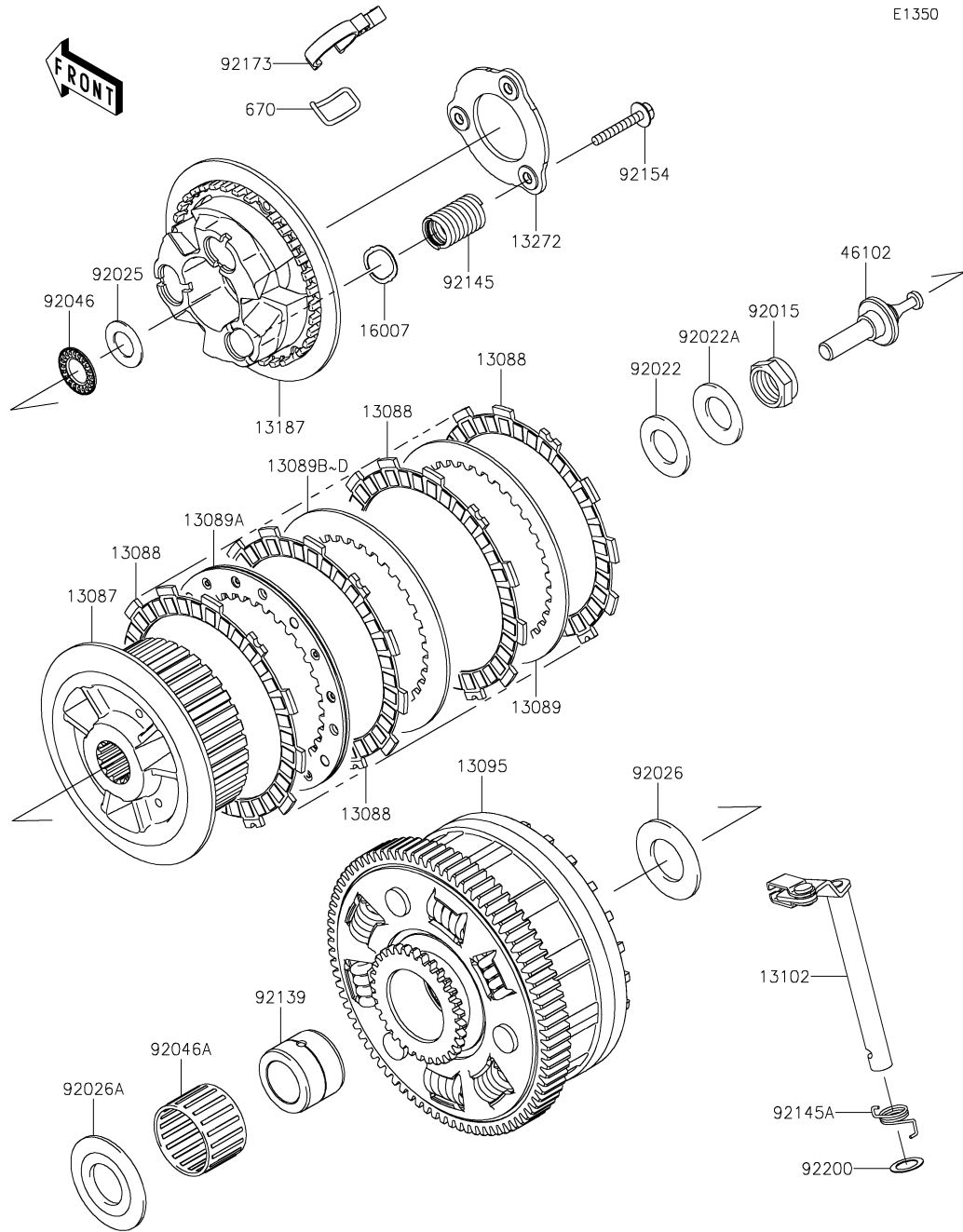
E1323



## 9. Balancer

Ref. No.	Part No.	Description	Spec Code	Quantity			
				'22	'22	'22	
				FNSNN	FNSBN	FNSCN	
13041	13041-0559	BALANCER	1	1	1		
13168	13168-0115	LEVER	1	1	1		
13234	13234-0038	SHAFT-COMP	1	1	1		
16085	16085-0134	GEAR,BALANCER,31T	1	1	1		
92026	92026-0082	SPACER	2	2	2		
92046	92046-1266	BEARING-NEEDLE	2	2	2		
92049	92049-2204	SEAL-OIL,TC 12X22X7	1	1	1		
92151	92151-1930	BOLT,FLANGED-SMALL,6X25	1	1	1		
92154	92154-1796	BOLT,FLANGED,8X30	1	1	1		
92161	92161-1055	DAMPER	4	4	4		
610	610A0410	ROLLER,4X10	1	1	1		

# '22 ZR900 FNSNN/FNSBN/FNSCN



E1350

## 10. Clutch

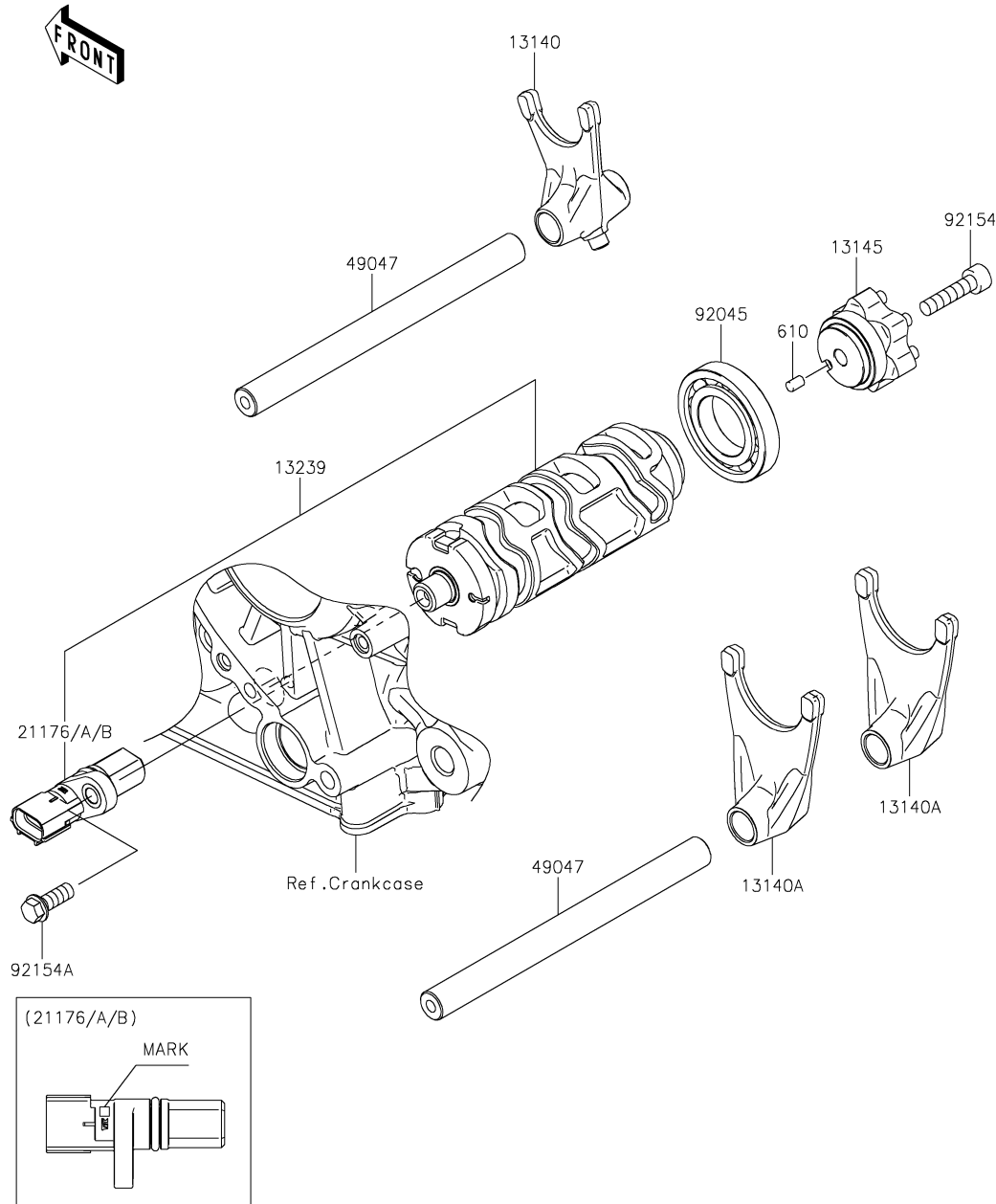
Ref. No.	Part No.	Description	Spec Code	Quantity		
				'22	'22	'22
				FNSNN	FNSBN	FNSCN
13087	13087-0583	HUB-CLUTCH	1	1	1	
13088	13088-0568	PLATE-FRICTION	9	9	9	
13089	13089-0023	PLATE-CLUTCH,T=2.3	1	1	1	
13089A	13089-0024	PLATE-CLUTCH,SPG COMP	1	1	1	
13089B	13089-1073	PLATE-CLUTCH,T=2.0	AR	AR	AR	
13089C	13089-1084	PLATE-CLUTCH,T=2.3	6	6	6	
13089D	13089-1115	PLATE-CLUTCH,T=2.6	AR	AR	AR	
13095	13095-0598	HOUSING-COMP-CLUTCH	1	1	1	
13102	13102-0075	RELEASE-COMP-CLUTCH	1	1	1	
13187	13187-0031	PLATE-CLUTCH OPERATING	1	1	1	
13272	13272-1413	PLATE	1	1	1	
16007	16007-0711	SEAT-SPRING	3	3	3	
46102	46102-0621	ROD	1	1	1	
92015	92015-1555	NUT,20MM	1	1	1	
92022	92022-1116	WASHER,20.3X36X2.3	1	1	1	
92022A	92022-1868	WASHER,20.3X36X3.7	1	1	1	
92025	92025-1137	SHIM,15.3X27.5X1.20	1	1	1	
92026	92026-022	SPACER,25.5X47X2.5	1	1	1	
92026A	92026-1497	SPACER	1	1	1	
92046	92046-1052	BEARING-NEEDLE,AXK1102	1	1	1	
92046A	92046-1263	BEARING-NEEDLE,K38X43X28.8X	1	1	1	
92139	92139-0067	BUSHING,25X38X29.05	1	1	1	
92145	92145-1745	SPRING	3	3	3	
92145A	92145-1769	SPRING,RELEASE-COMP	1	1	1	
92154	92154-1116	BOLT,FLANGED,6X35	3	3	3	
92173	92173-1724	CLAMP	1	1	1	
92200	92200-1487	WASHER,12X18.5X0.5	1	1	1	
670	670E2022	O RING,22MM	1	1	1	





# '22 ZR900 FNSNN/FNSBN/FNSCN

E1362

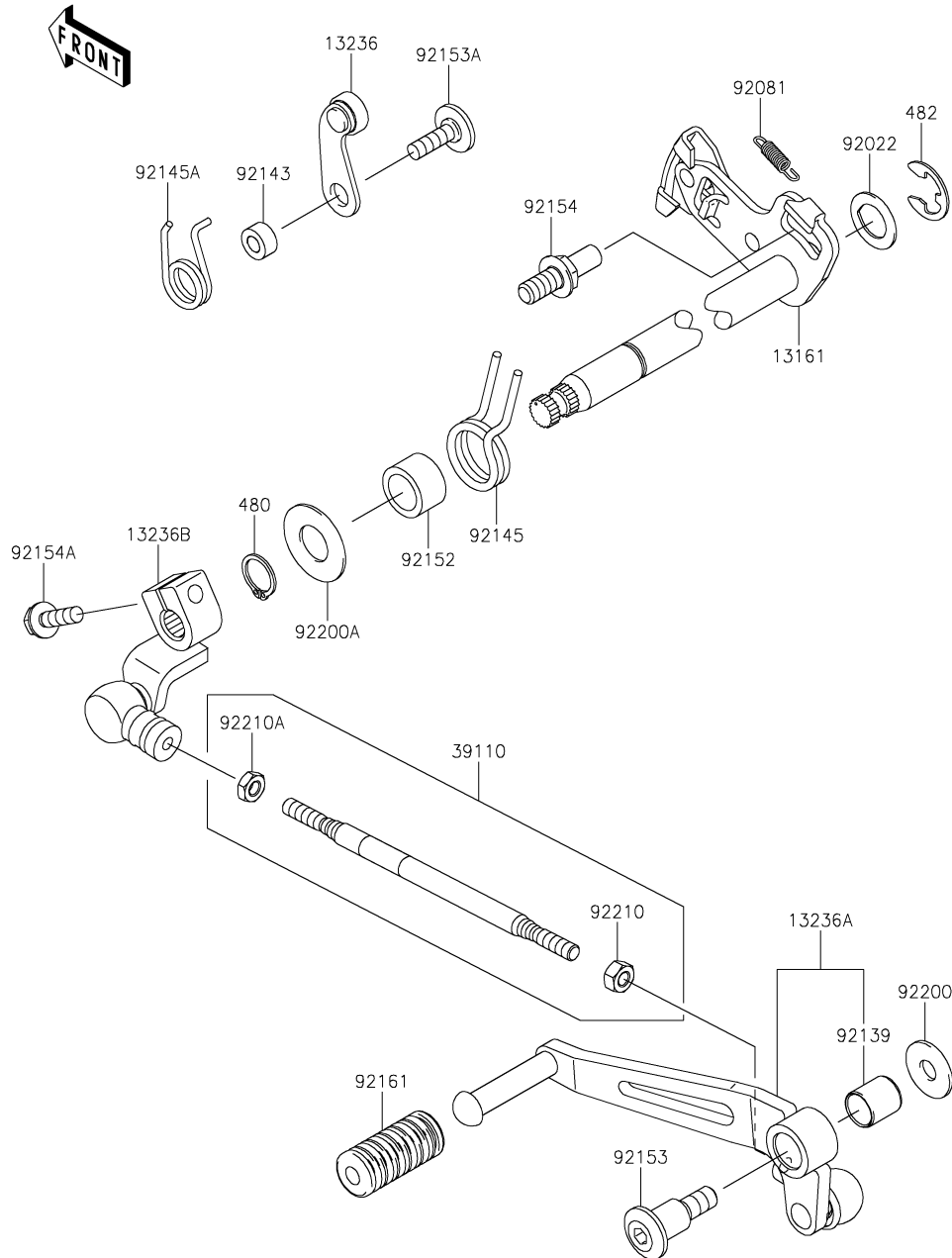


## 12. Gear Change Drum/Shift Fork(s)

Ref. No.	Part No.	Description	Spec Code	Quantity				
				'22	'22	'22		
				FNSNN	FNSBN	FNSCN		
13140	13140-0061	FORK-SHIFT		1	1	1		
13140A	13140-0062	FORK-SHIFT		2	2	2		
13145	13145-0568	CAM-CHANGE DRUM		1	1	1		
13239	13239-0581	DRUM-ASSY-CHANGE		1	1	1		
21176	21176-0825	SENSOR,GEAR POSITION,M MARK		1	1	1		
21176A	21176-0845	SENSOR,GEAR POSITION,H MARK		1	1	1		
21176B	21176-0846	SENSOR,GEAR POSITION,L MARK		1	1	1		
49047	49047-0644	ROD-SHIFT		2	2	2		
92045	92045-1045	BEARING-BALL,16005		1	1	1		
92154	92154-0477	BOLT,SOCKET,6X25		1	1	1		
92154A	92154-2096	BOLT,FLANGED,6X16		1	1	1		
610	610A0406	ROLLER,4X6		1	1	1		

# '22 ZR900 FNSNN/FNSBN/FNSCN

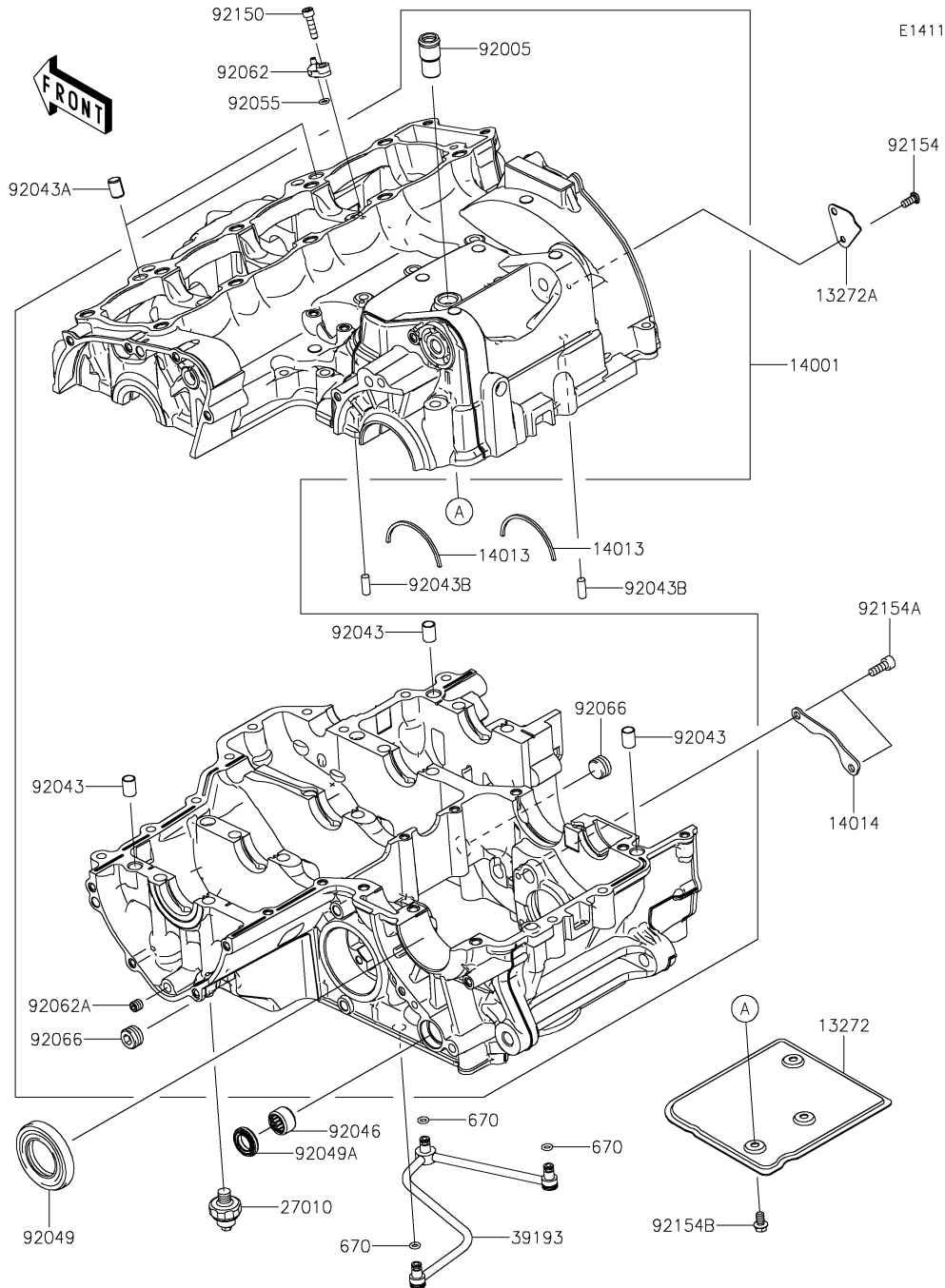
E1370



## 13. Gear Change Mechanism

Ref. No.	Part No.	Description	Spec Code	Quantity			
				'22	'22	'22	
				FNSNN	FNSBN	FNSCN	
13161	13161-0592	LEVER-COMP-CHANGE SHAFT	1	1	1		
13236	13236-0068	LEVER-COMP	1	1	1		
13236A	13236-0783	LEVER-COMP,CHANGE PEDAL	1	1	1		
13236B	13236-0784	LEVER-COMP,ENGINE SIDE	1	1	1		
39110	39110-0033	ROD-ASSY-TIE	1	1	1		
92022	92022-1628	WASHER,CHANGE SHAFT	1	1	1		
92081	92081-1708	SPRING,PAWL RETURN	1	1	1		
92139	92139-0023	BUSHING	1	1	1		
92143	92143-1595	COLLAR	1	1	1		
92145	92145-1122	SPRING	1	1	1		
92145A	92145-1872	SPRING,GEAR POSITION	1	1	1		
92152	92152-1383	COLLAR, 14.2X19.9X12.0	1	1	1		
92153	92153-0446	BOLT, SOCKET, 8X16.7	1	1	1		
92153A	92153-1505	BOLT, 6X20	1	1	1		
92154	92154-1838	BOLT, RETURN SPRING	1	1	1		
92154A	92154-2090	BOLT, FLANGED, 6X20	1	1	1		
92161	92161-2389	DAMPER, CHANGE PEDAL	1	1	1		
92200	92200-0174	WASHER, 8.0X22.0X1.5	1	1	1		
92200A	92200-0265	WASHER	1	1	1		
92210	92210-1100	NUT, 6MM	1	1	1		
92210A	92210-1101	NUT, LEFT HANDED, 6MM	1	1	1		
480	480J1400	CIRCLIP-TYPE-C, 14MM	1	1	1		
482	482J0200	CIRCLIP-TYPE-E, 12MM	1	1	1		

# '22 ZR900 FNSNN/FNSBN/FNSCN

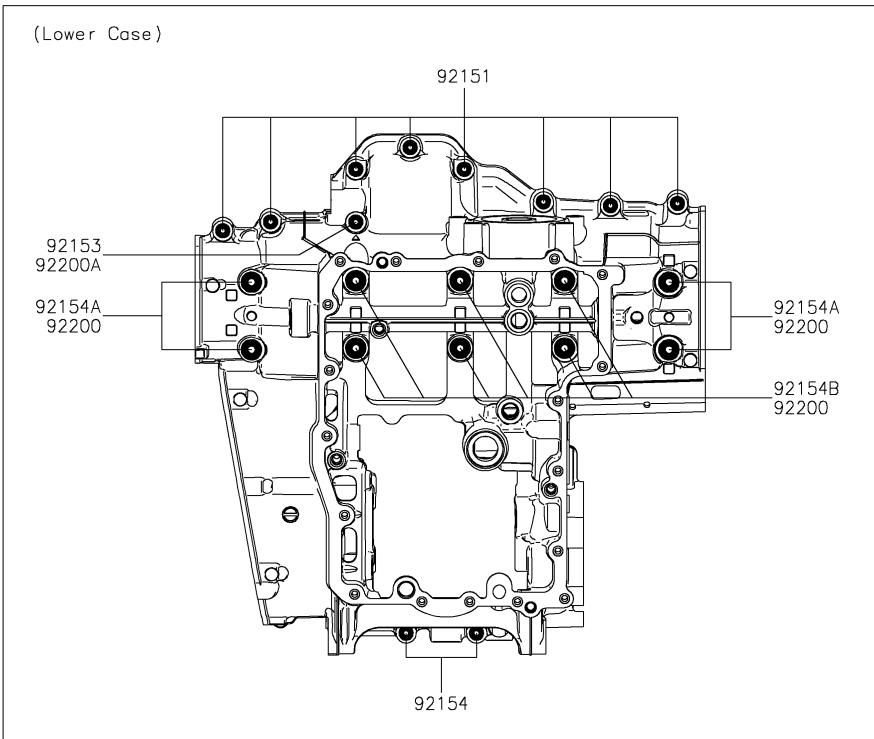
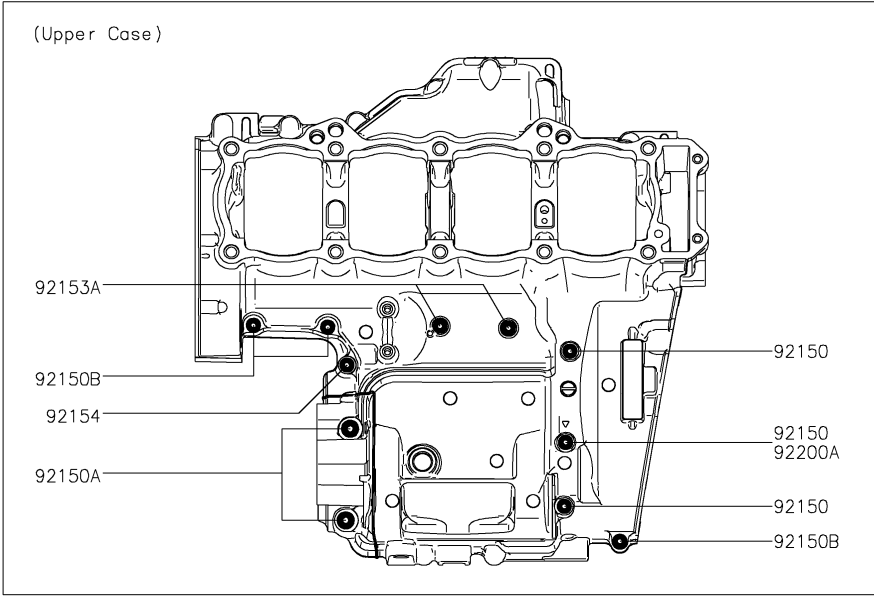


# 14. Crankcase

Ref. No.	Part No.	Description	Spec Code	Quantity		
				'22	'22	'22
				FNSNN	FNSBN	FNSCN
13272	13272-0698	PLATE,BREATHER,UPP	1	1	1	
13272A	13272-0699	PLATE,BREATHER,SIDE	1	1	1	
14001	14001-0725	SET-CRANKCASE	1	1	1	
14013	14013-1051	RING-POSITION	2	2	2	
14014	14014-0036	PLATE-POSITION	1	1	1	
27010	27010-1313	SWITCH,OIL PRESSURE	1	1	1	
39193	39193-0054	PIPE-OIL	1	1	1	
92005	92005-1238	FITTING,BREATHER	1	1	1	
92043	92043-1037	PIN,DOWEL,10X14	3	3	3	
92043A	92043-1264	PIN,8.2X10X14	2	2	2	
92043B	92043-1690	PIN,6X16	2	2	2	
92046	92046-0043	BEARING-NEEDLE,HK1412FM	1	1	1	
92049	92049-1474	SEAL-OIL,TC32578	1	1	1	
92049A	92049-1520	SEAL-OIL,TC14245	1	1	1	
92055	92055-1339	RING-O,5.5X1.5	1	1	1	
92062	92062-0040	NOZZLE,OIL JET	1	1	1	
92062A	92062-0046	NOZZLE	1	1	1	
92066	92066-0836	PLUG	2	2	2	
92150	92150-1019	BOLT,SOCKET,5X20	1	1	1	
92154	92154-0299	BOLT,TORX,5X12	1	1	1	
92154A	92154-0484	BOLT,SOCKET,6X16	2	2	2	
92154B	92154-1887	BOLT,FLANGED,6X10	3	3	3	
670	670D1505	O RING	3	3	3	

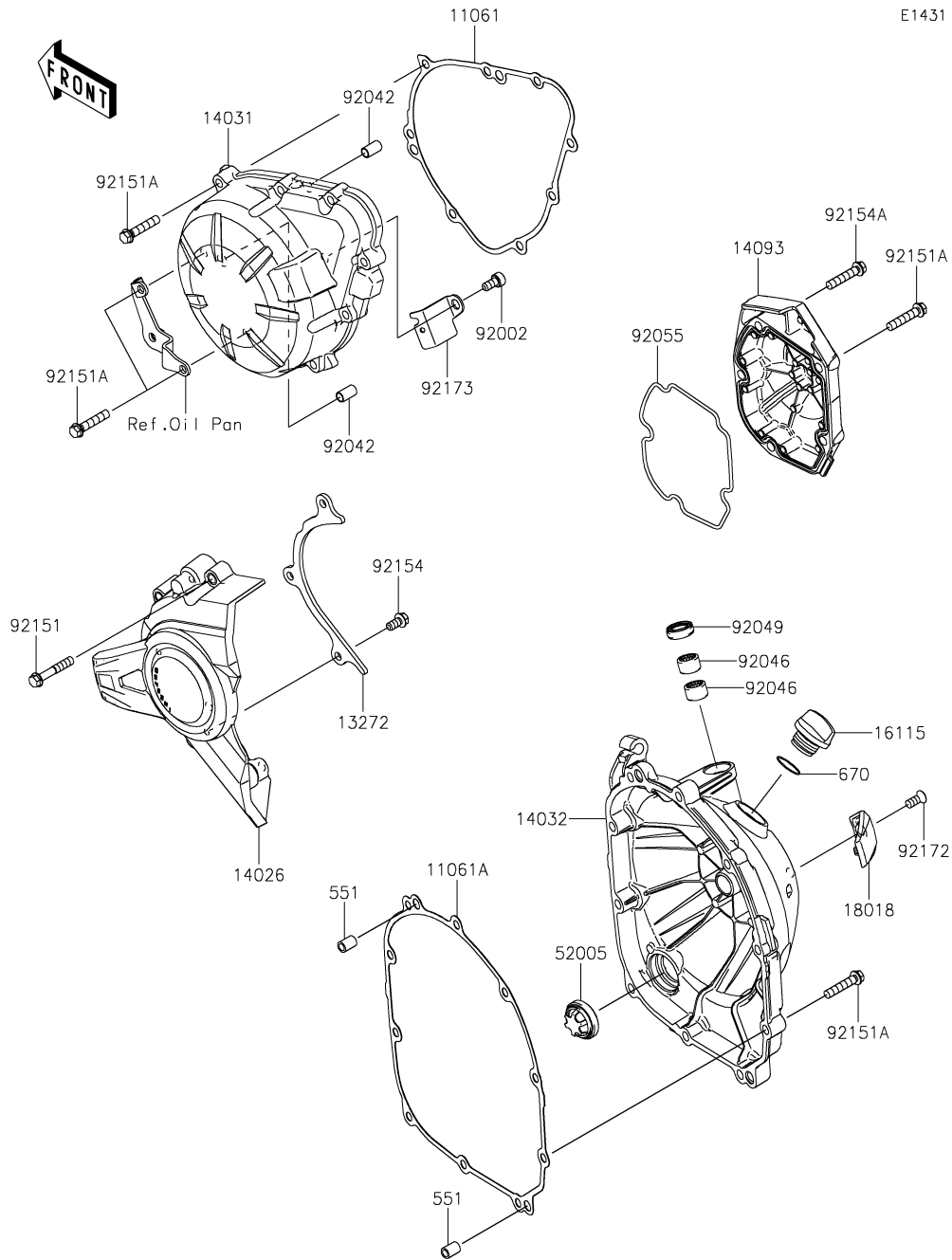
E1412

Ref. No.	Part No.	Description	Spec Code	Quantity				
				'22	'22	'22		
				FNSNN	FNSBN	FNSCN		
92150	92150-1251	BOLT,FLANGED,7X85		3	3	3		
92150A	92150-1483	BOLT,8X70		2	2	2		
92150B	92150-1794	BOLT,6X40		3	3	3		
92151	92151-1539	BOLT,FLANGED,7X45		8	8	8		
92153	92153-1045	BOLT,FLANGED,7X60		1	1	1		
92153A	92153-1637	BOLT,FLANGED,6X68		2	2	2		
92154	92154-0372	BOLT,FLANGED,7X50		3	3	3		
92154A	92154-2639	BOLT,FLANGED,9X100		4	4	4		
92154B	92154-2640	BOLT,FLANGED,9X90		6	6	6		
92200	92200-0115	WASHER,9.2X19X2.3		10	10	10		
92200A	92200-0556	WASHER		2	2	2		



# '22 ZR900 FNSNN/FNSBN/FNSCN

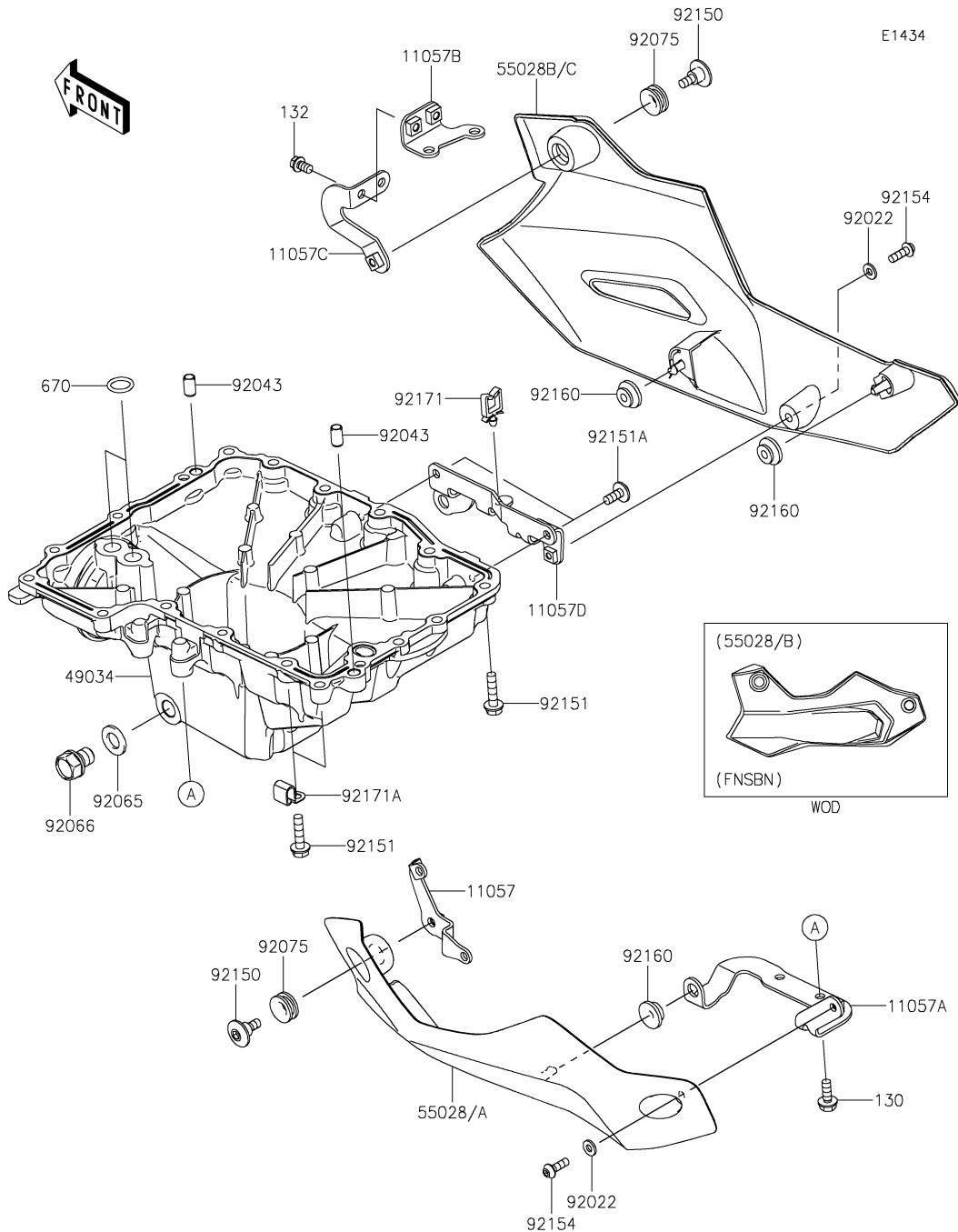
E1431



## 16. Engine Cover(s)

Ref. No.	Part No.	Description	Spec Code	Quantity			
				'22	'22	'22	
				FNSNN	FNSBN	FNSCN	
11061	11061-0403	GASKET,GENERATOR COVER	1	1	1		
11061A	11061-0404	GASKET,CLUTCH COVER	1	1	1		
13272	13272-2238	PLATE	1	1	1		
14026	14026-0132	COVER-CHAIN	1	1	1		
14031	14031-0640	COVER-GENERATOR	1	1	1		
14032	14032-0663	COVER-CLUTCH	1	1	1		
14093	14093-0988	COVER,PULSER	1	1	1		
16115	16115-1053	CAP-OIL FILLER	1	1	1		
18018	18018-0603	PLATE-HEAT GUARD	1	1	1		
52005	52005-1120	GAUGE	1	1	1		
92002	92002-1796	BOLT,SOCKET,6X12	1	1	1		
92042	92042-007	PIN,DOWEL,6.3X8X14	2	2	2		
92046	92046-0034	BEARING-NEEDLE,HK1210FM	2	2	2		
92049	92049-1475	SEAL-OIL,CLUTCH RELEASE	1	1	1		
92055	92055-0199	RING-O,PULSER COVER	1	1	1		
92151	92151-1135	BOLT,6X35	4	4	4		
92151A	92151-1873	BOLT,6X30	22	22	22		
92154	92154-1888	BOLT,FLANGED-SMALL,6X12	3	3	3		
92154A	92154-2652	BOLT,6X30	1	1	1		
92172	92172-0901	SCREW,TORX,6X14	1	1	1		
92173	92173-1321	CLAMP	1	1	1		
551	551A0814	PIN-DOWEL,8X14	2	2	2		
670	670B2020	O RING,20MM	1	1	1		

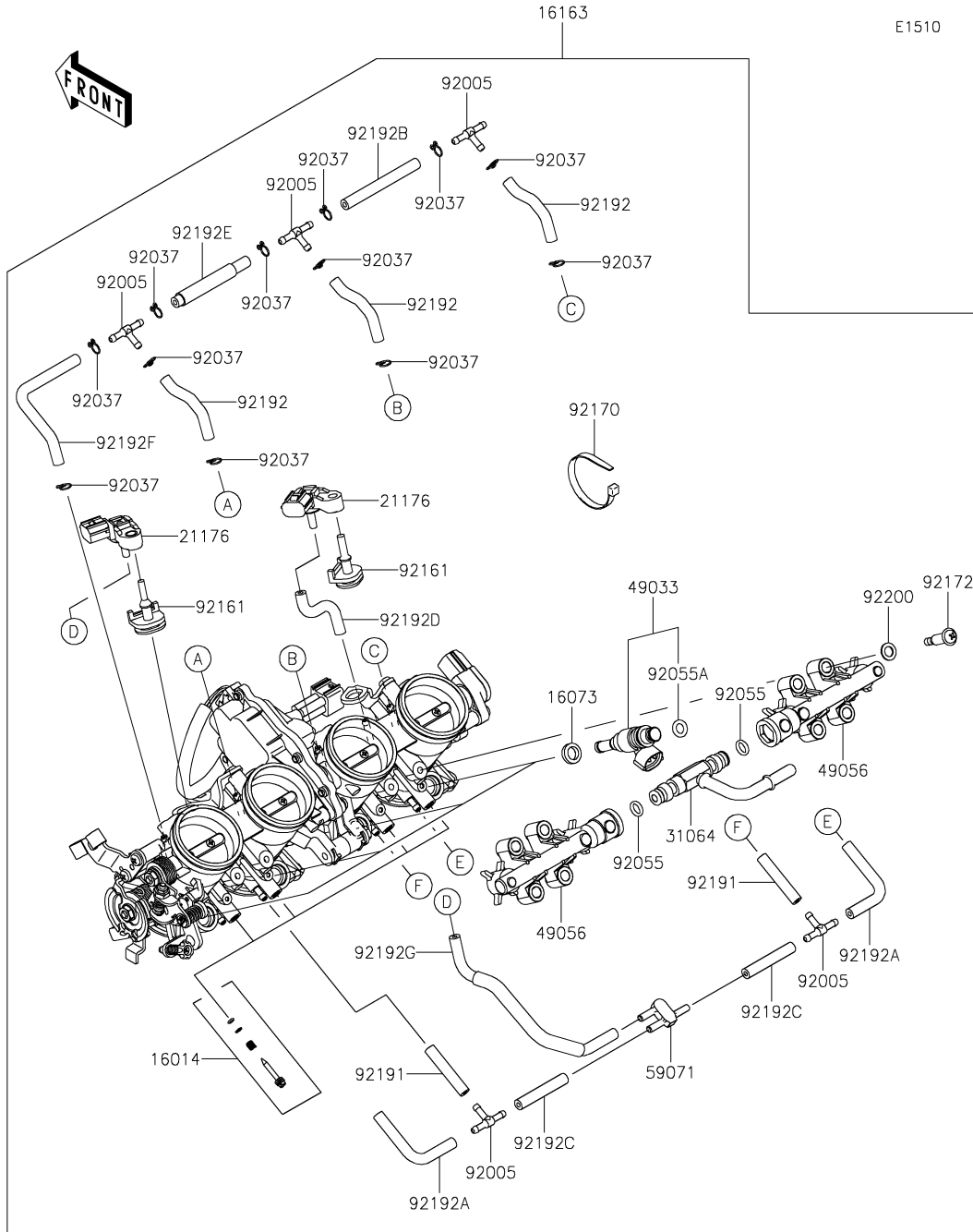
# '22 ZR900 FNSNN/FNSBN/FNSCN



## 17. Oil Pan

Ref. No.	Part No.	Description	Spec Code	Quantity			
				'22	'22	'22	
				FNSNN	FNSBN	FNSCN	
11057	11057-2705	BRACKET,FR,LH	1	1	1		
11057A	11057-2706	BRACKET,OIL PAN,LH	1	1	1		
11057B	11057-2707	BRACKET,CRANKCASE	1	1	1		
11057C	11057-2708	BRACKET,FR,RH	1	1	1		
11057D	11057-2709	BRACKET,OIL PAN,RH	1	1	1		
49034	49034-0578	PAN-OIL	1	1	1		
55028	55028-0708-660	COWLING,LWR,LH,M.S.BLACK	1	1			
55028A	55028-0708-H8	COWLING,LWR,LH,EBONY				1	
55028B	55028-0709-660	COWLING,LWR,RH,M.S.BLACK	1	1			
55028C	55028-0709-H8	COWLING,LWR,RH,EBONY				1	
92022	92022-1521	WASHER,NYLON,5.3X11.5X1.5	2	2	2		
92043	92043-1263	PIN,6.2X8X14	2	2	2		
92065	92065-097	GASKET,12X22X2	1	1	1		
92066	92066-0079	PLUG,12X15	1	1	1		
92075	92075-1634	DAMPER	2	2	2		
92150	92150-1154	BOLT,SOCKET,6MM	2	2	2		
92151	92151-1225	BOLT,FLANGED,6X25	18	18	18		
92151A	92151-1654	BOLT,SOCKET,6X14	2	2	2		
92154	92154-0287	BOLT,SOCKET,5X16	2	2	2		
92160	92160-1613	DAMPER	3	3	3		
92171	92171-0290	CLAMP	1	1	1		
92171A	92171-0534	CLAMP	2	2	2		
130	130CC0616	BOLT-FLANGED,6X16	2	2	2		
132	132BC0610	BOLT-FLANGED-SMALL	2	2	2		
670	670D2014	O RING,14MM	2	2	2		

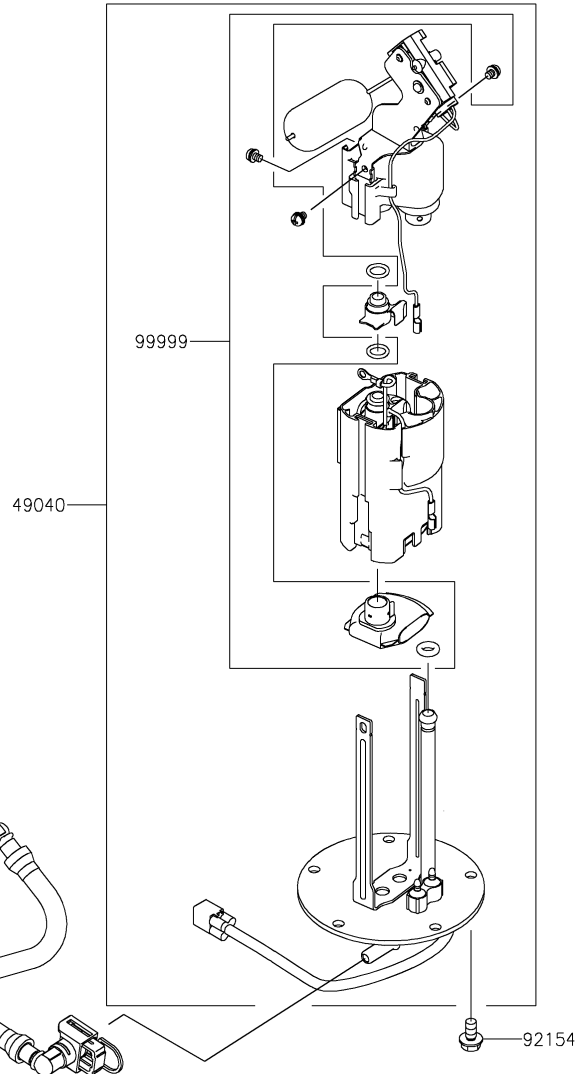
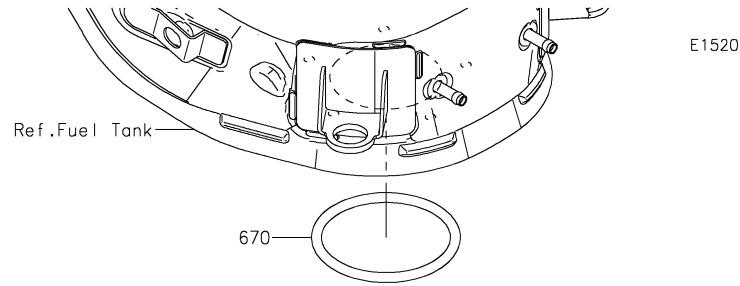
# '22 ZR900 FNSNN/FNSBN/FNSCN



## 18. Throttle

Ref. No.	Part No.	Description	Spec Code	Quantity		
				'22	'22	'22
				FNSNN	FNSBN	FNSCN
16014	16014-0017	SCREW-PILOT AIR	4	4	4	
16073	16073-1123	INSULATOR,INJECTER	4	4	4	
16163	16163-1164	THROTTLE-ASSY	1	1	1	
21176	21176-0906	SENSOR,PRESSURE	2	2	2	
31064	31064-0692	PIPE-COMP	1	1	1	
49033	49033-0034	NOZZLE-INJECTION	4	4	4	
49056	49056-0049	PIPE-INJECTION	2	2	2	
59071	59071-0022	JOINT	1	1	1	
92005	92005-1380	FITTING	5	5	5	
92037	92037-1124	CLAMP,TUBE	12	12	12	
92055	92055-0761	RING-O	2	2	2	
92055A	92055-2187	RING-O,REGULATOR-FUEL	4	4	4	
92161	92161-0673	DAMPER	2	2	2	
92170	92170-3749	CLAMP	1	1	1	
92172	92172-0828	SCREW,PIPE INJECTION	4	4	4	
92191	92191-1551	TUBE,3.2X7.4X40	2	2	2	
92192	92192-1349	TUBE,3.5X7.5X55	3	3	3	
92192A	92192-1446	TUBE,3.2X7.4X75	2	2	2	
92192B	92192-1447	TUBE,3.5X7.5X70	1	1	1	
92192C	92192-1617	TUBE,3.2X7.4X45	2	2	2	
92192D	92192-1802	TUBE,3.2X7.4X55	1	1	1	
92192E	92192-1803	TUBE,3.5X7.5X70	1	1	1	
92192F	92192-1804	TUBE,3.5X7.5X115	1	1	1	
92192G	92192-1805	TUBE,3.2X7.4X175	1	1	1	
92200	92200-3807	WASHER	4	4	4	

# '22 ZR900 FNSNN/FNSBN/FNSCN



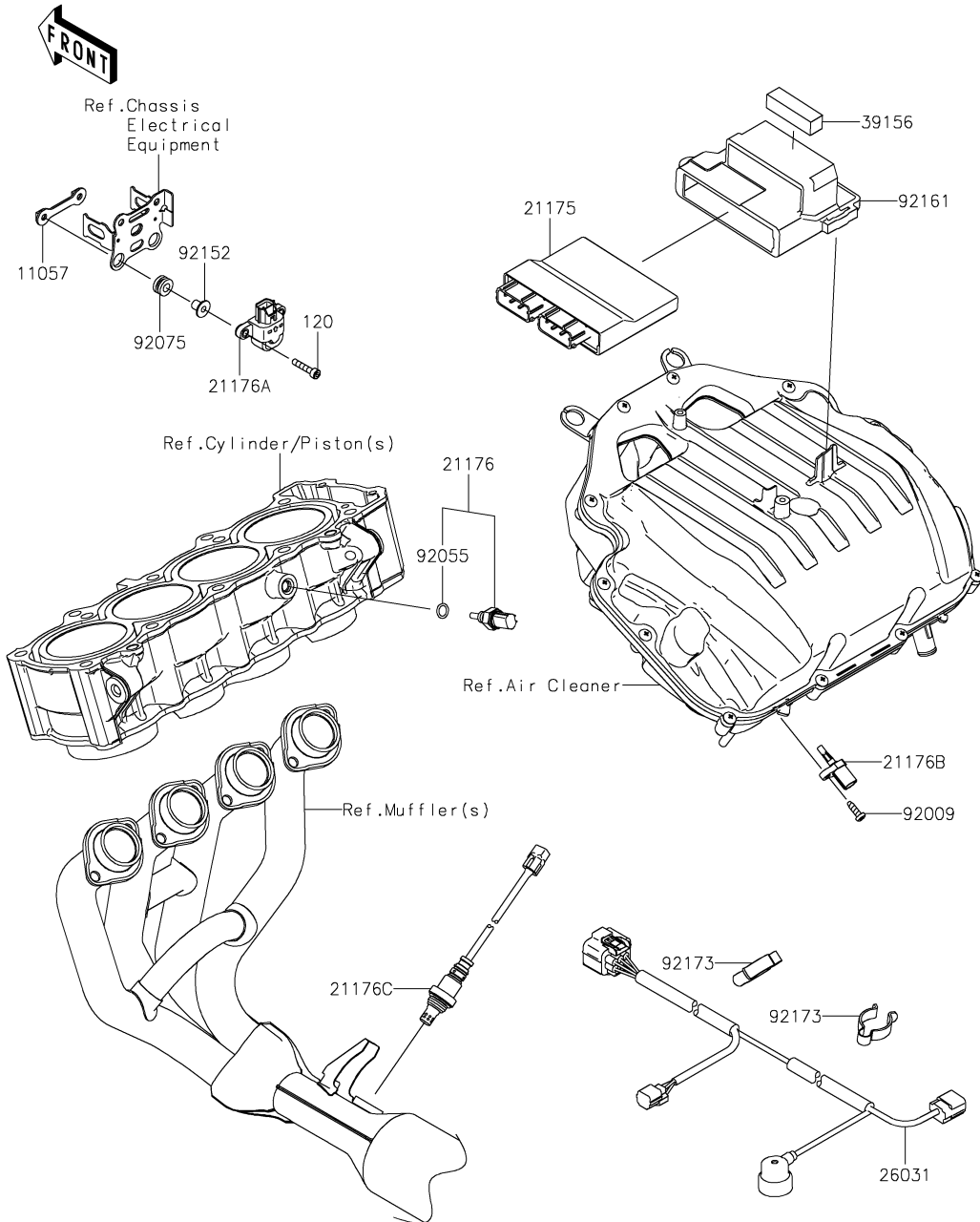
## 19. Fuel Pump

Ref. No.	Part No.	Description	Spec Code	Quantity				
				'22	'22	'22		
				FNSNN	FNSBN	FNSCN		
49040	49040-0756	PUMP-FUEL		1	1	1		
51044	51044-0863	TUBE-ASSY,FUEL		1	1	1		
92154	92154-2335	BOLT,FLANGED,6X12		5	5	5		
99999	99999-0522	KIT,FUEL FILTER		1	1	1		
670	670E5075	O RING		1	1	1		



# '22 ZR900 FNSNN/FNSBN/FNSCN

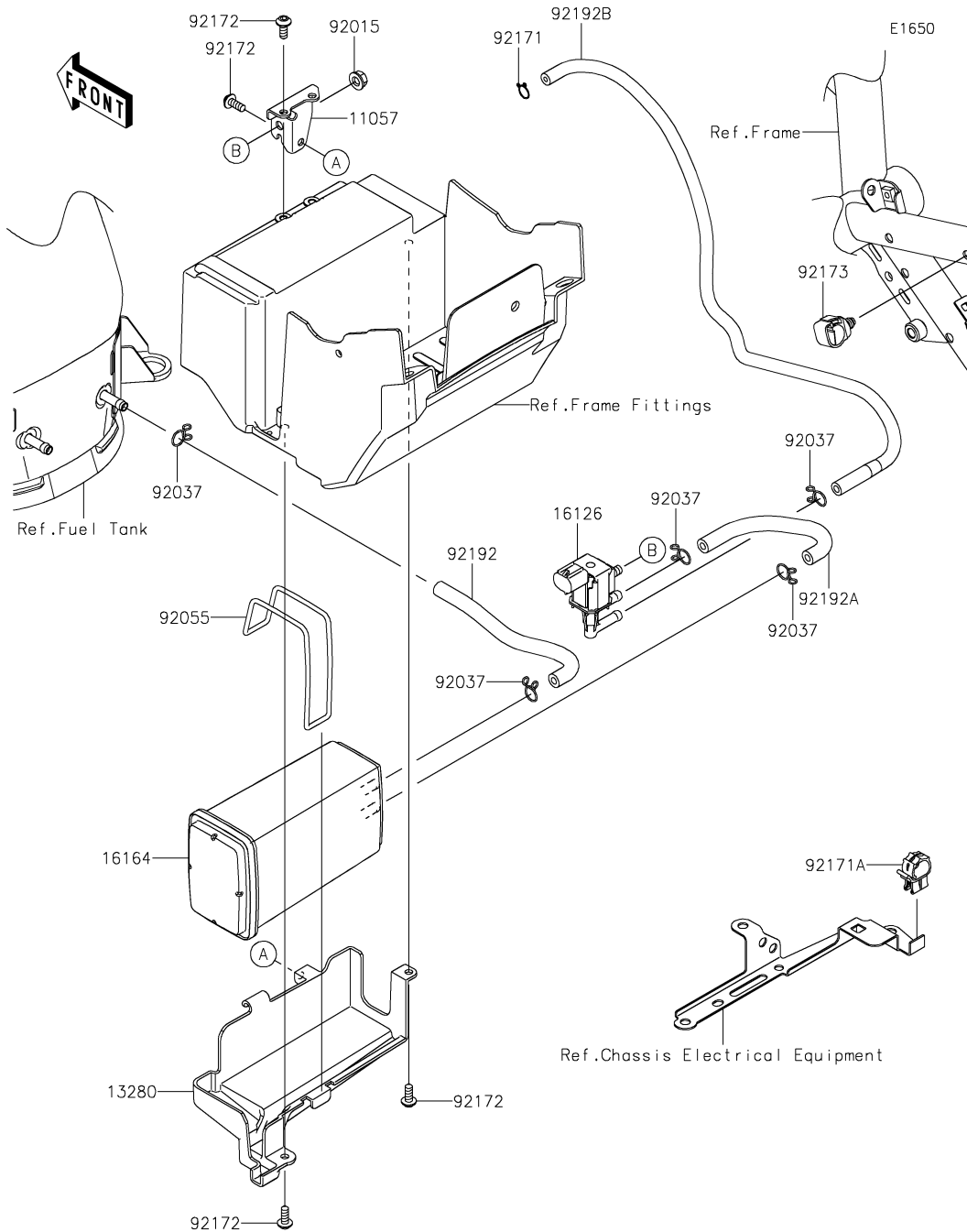
E1530



## 20. Fuel Injection

Ref. No.	Part No.	Description	Spec Code	Quantity				
				'22	'22	'22		
				FNSNN	FNSBN	FNSCN		
11057	11057-0287	BRACKET,VEHICLE DOWN	1	1	1			
21175	21175-1592	CONTROL UNIT-ELECTRONIC	1	1	1			
21176	21176-0009	SENSOR,WATER TEMP	1	1	1			
21176A	21176-0026	SENSOR,VEHICLE-DOWN	1	1	1			
21176B	21176-0048	SENSOR,AIR TEMPERATURE	1	1	1			
21176C	21176-0851	SENSOR,OXYGEN	1	1	1			
26031	26031-3777	HARNES, SUB	1	1	1			
39156	39156-2129	PAD,15X55X15	1	1	1			
92009	92009-1984	SCREW,TAPPING,5X16	1	1	1			
92055	92055-0016	RING-O,9.5X1.9	1	1	1			
92075	92075-1912	DAMPER	2	2	2			
92152	92152-1562	COLLAR,5.6X8X11.2	2	2	2			
92161	92161-2235	DAMPER,ECU	1	1	1			
92173	92173-2419	CLAMP	2	2	2			
120	120CA0525	BOLT-SOCKET,5X25	2	2	2			

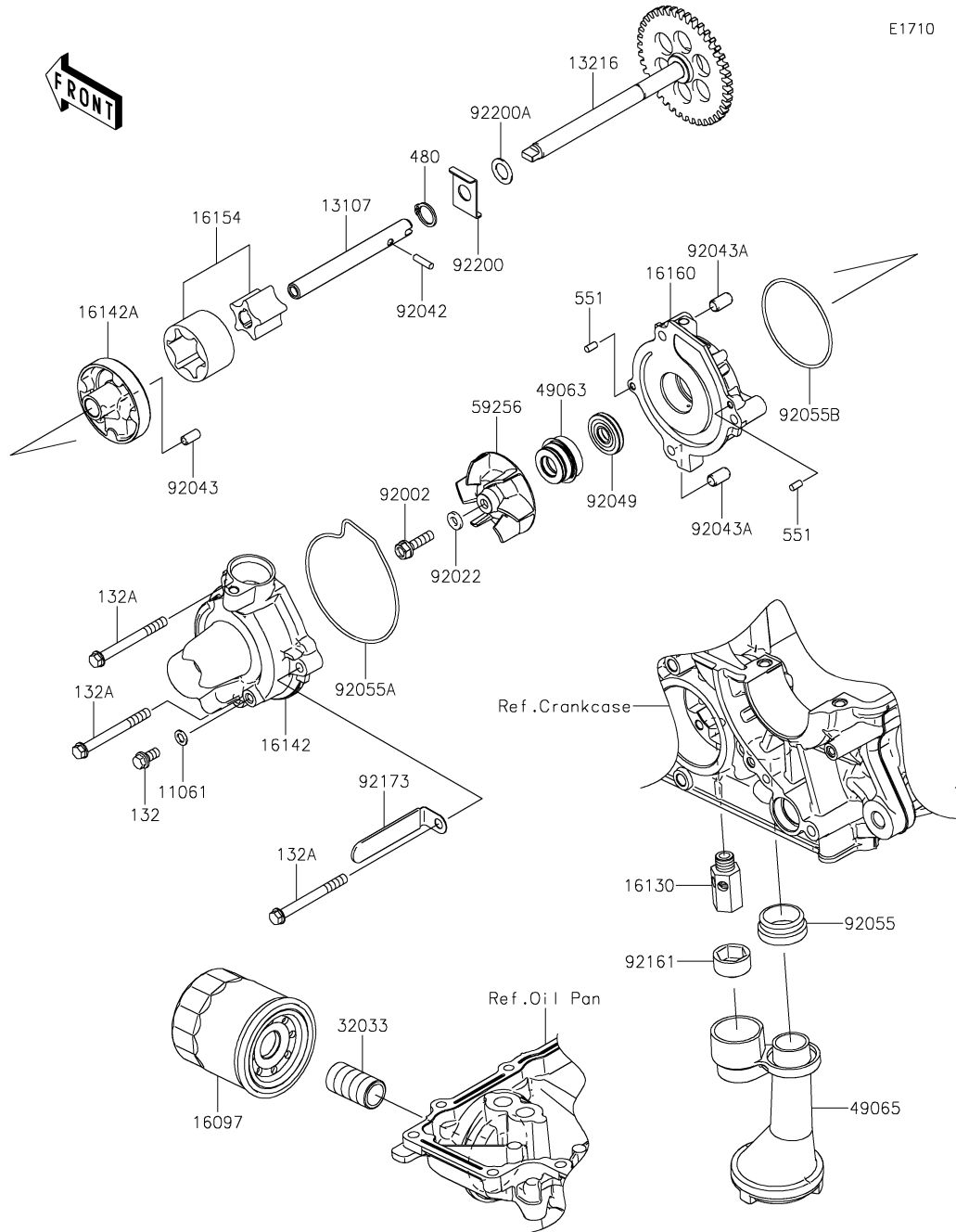
# '22 ZR900 FNSNN/FNSBN/FNSCN



## 21. Fuel Evaporative System

Ref. No.	Part No.	Description	Spec Code	Quantity				
				'22	'22	'22		
				FNSNN	FNSBN	FNSCN		
11057	11057-0286	BRACKET,PCV	1	1	1			
13280	13280-0880	HOLDER,CANISTER	1	1	1			
16126	16126-0740	VALVE,PCV	1	1	1			
16164	16164-0012	CANISTER	1	1	1			
92015	92015-1367	NUT,FLANGED,6MM	1	1	1			
92037	92037-147	CLAMP,TUBE	5	5	5			
92055	92055-1020	RING-O,104.4X3.1	1	1	1			
92171	92171-0573	CLAMP	1	1	1			
92171A	92171-1722	CLAMP,EDGE CLIP	1	1	1			
92172	92172-0823	SCREW,SOCKET,5X14	5	5	5			
92173	92173-0736	CLAMP,12MM DIA.	1	1	1			
92192	92192-1690	TUBE,CANISTER-TANK	1	1	1			
92192A	92192-1691	TUBE,PCV-CANISTER	1	1	1			
92192B	92192-1779	TUBE,PCV-THROTTLE BODY	1	1	1			

# '22 ZR900 FNSNN/FNSBN/FNSCN

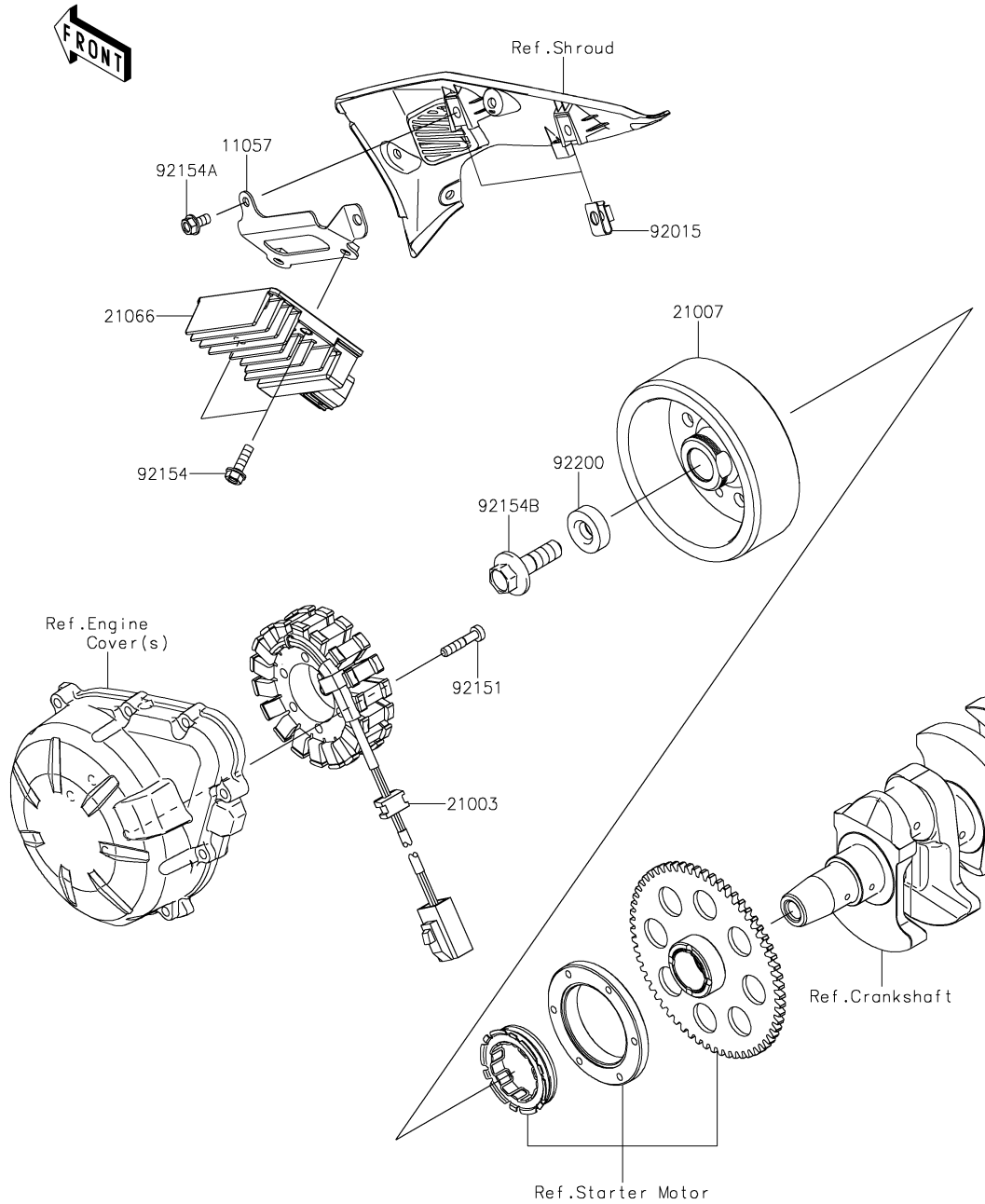


E1710

## 22. Oil Pump

Ref. No.	Part No.	Description	Spec Code	Quantity				
				'22	'22	'22		
				FNSNN	FNSBN	FNSCN		
11061	11061-0107	GASKET		1	1	1		
13107	13107-0214	SHAFT		1	1	1		
13216	13216-0020	GEAR-COMP,OIL PUMP,41T		1	1	1		
16097	16097-0008	FILTER-ASSY-OIL		1	1	1		
16130	16130-0013	VALVE-ASSY-RELIEF		1	1	1		
16142	16142-0746	COVER-PUMP		1	1	1		
16142A	16142-0764	COVER-PUMP		1	1	1		
16154	16154-0708	ROTOR-PUMP		1	1	1		
16160	16160-0796	BODY		1	1	1		
32033	32033-1535	PIPE,OIL FILTER		1	1	1		
49063	49063-1055	SEAL-MECHANICAL		1	1	1		
49065	49065-0026	FILTER-OIL		1	1	1		
59256	59256-0555	IMPELLER		1	1	1		
92002	92002-1154	BOLT,6X22		1	1	1		
92022	92022-077	WASHER,6.1X12X1		1	1	1		
92042	92042-030	PIN,DOWEL,4X13.8		1	1	1		
92043	92043-1262	PIN,4.2X6X12		1	1	1		
92043A	92043-1263	PIN,6.2X8X14		2	2	2		
92049	92049-0798	SEAL-OIL		1	1	1		
92055	92055-1503	RING-O,OIL FILTER		1	1	1		
92055A	92055-1571	RING-O,WATER PUMP COVER		1	1	1		
92055B	92055-3018	RING-O,59.6X2.4		1	1	1		
92161	92161-0070	DAMPER		1	1	1		
92173	92173-1201	CLAMP		1	1	1		
92200	92200-0410	WASHER		1	1	1		
92200A	92200-1009	WASHER		1	1	1		
132	132BA0612	BOLT-FLANGED-SMALL,6X12		1	1	1		
132A	132BC0660	BOLT-FLANGED-SMALL,6X60		3	3	3		
480	480J1100	CIRCLIP-TYPE-C,11MM		1	1	1		
551	551A0408	PIN-DOWEL,4X8		2	2	2		

E1810

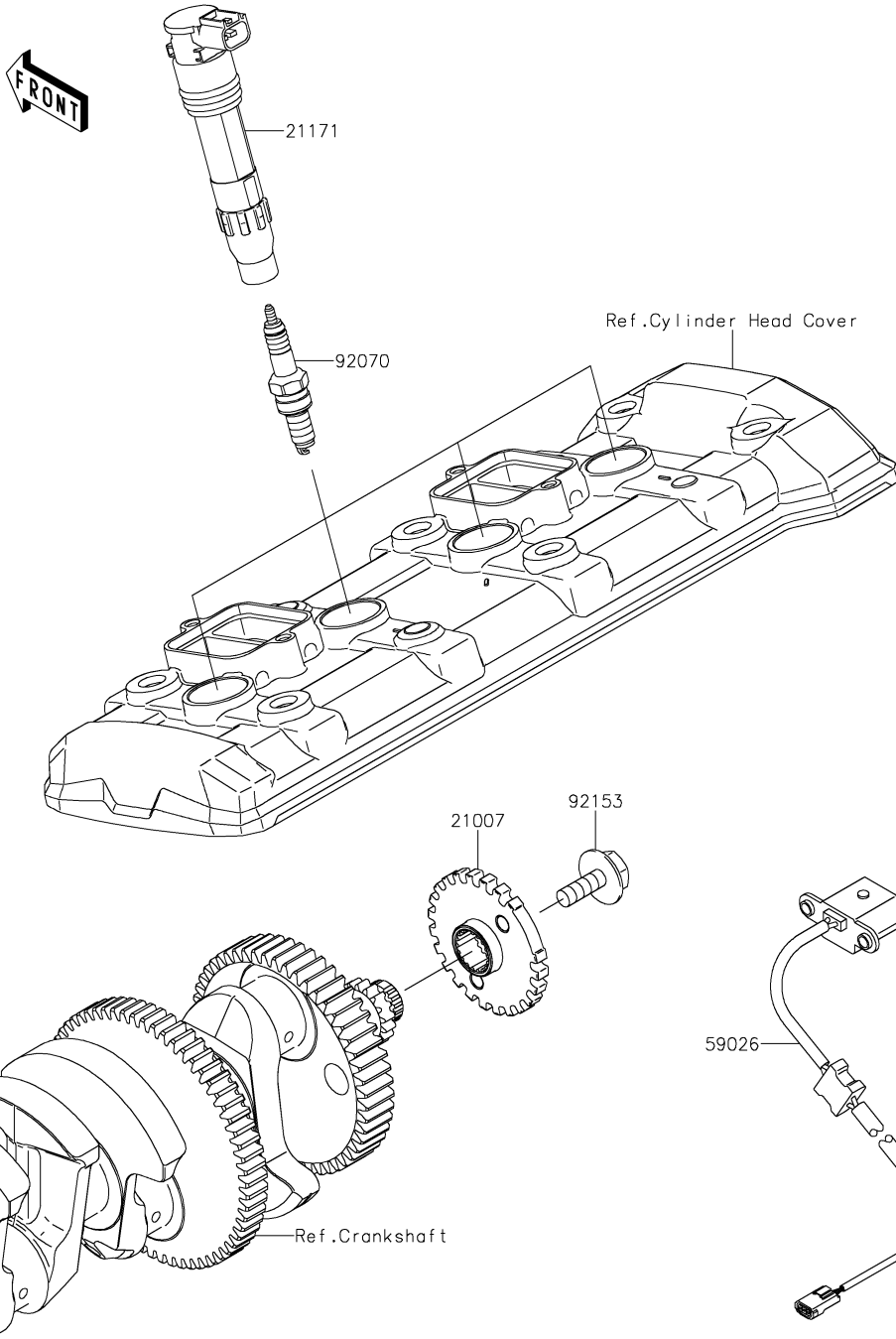


## 23. Generator

Ref. No.	Part No.	Description	Spec Code	Quantity				
				'22	'22	'22		
				FNSNN	FNSBN	FNSCN		
11057	11057-2692	BRACKET,REGULATOR	1	1	1			
21003	21003-0203	STATOR	1	1	1			
21007	21007-0691	ROTOR	1	1	1			
21066	21066-0753	REGULATOR-VOLTAGE	1	1	1			
92015	92015-1671	NUT,6MM	2	2	2			
92151	92151-1626	BOLT,6X30	4	4	4			
92154	92154-0776	BOLT,FLANGED,6X20	2	2	2			
92154A	92154-1050	BOLT,FLANGED,6X12	2	2	2			
92154B	92154-2650	BOLT,FLANGED,12X40	1	1	1			
92200	92200-0369	WASHER,12X34X9	1	1	1			

# '22 ZR900 FNSNN/FNSBN/FNSCN

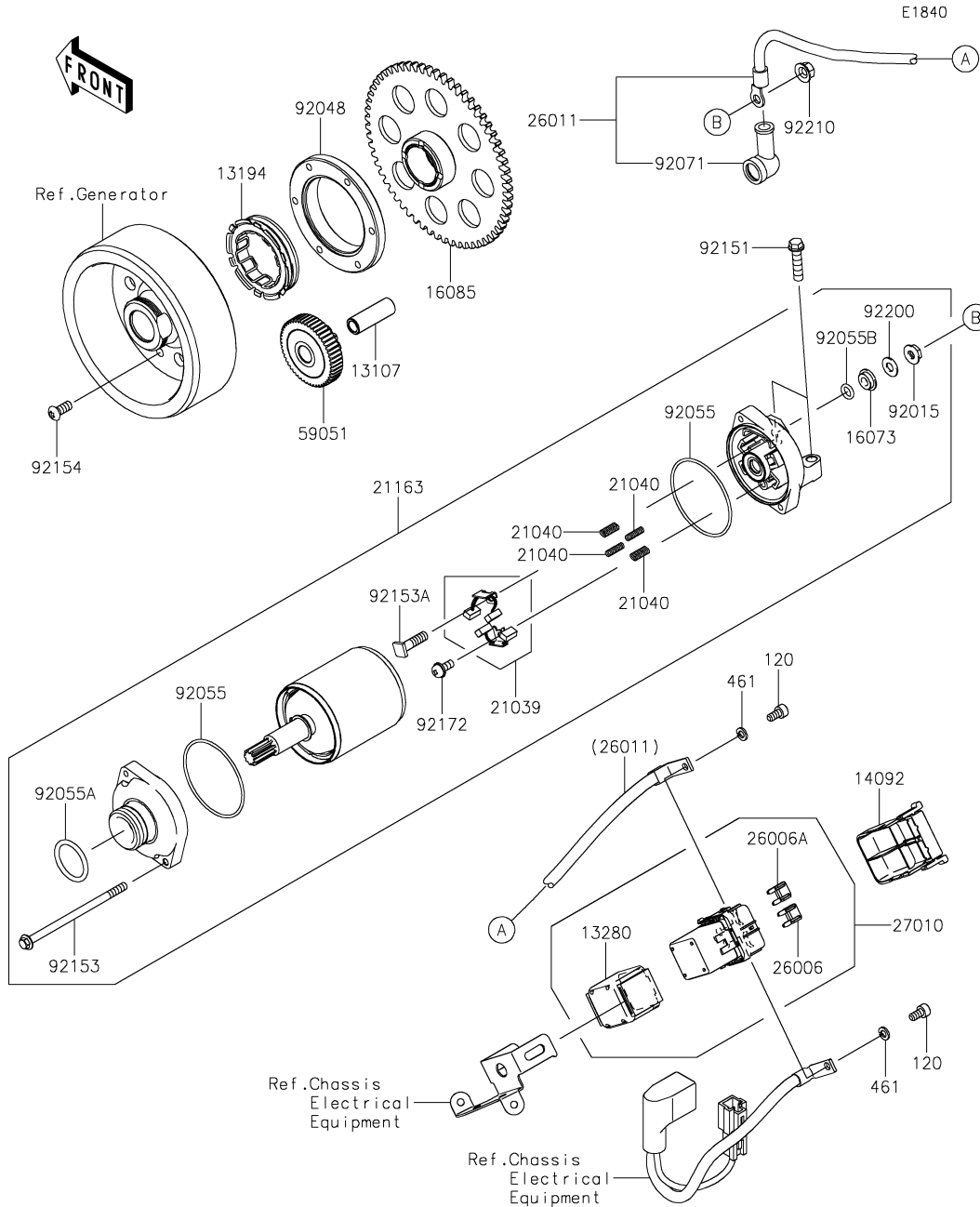
E1830



## 24. Ignition System

Ref. No.	Part No.	Description	Spec Code	Quantity				
				'22	'22	'22		
				FNSNN	FNSBN	FNSCN		
21007	21007-0579	ROTOR		1	1	1		
21171	21171-0033	COIL-ASSY-IGNITION		4	4	4		
59026	59026-0049	COIL-PULSING		1	1	1		
92070	92070-0014	PLUG-SPARK,CR9EIA(NGK)		4	4	4		
92153	92153-0549	BOLT,FLANGED,8X23		1	1	1		
130	130BA0512	BOLT-FLANGED,5X12		2	2	2		

# '22 ZR900 FNSNN/FNSBN/FNSCN

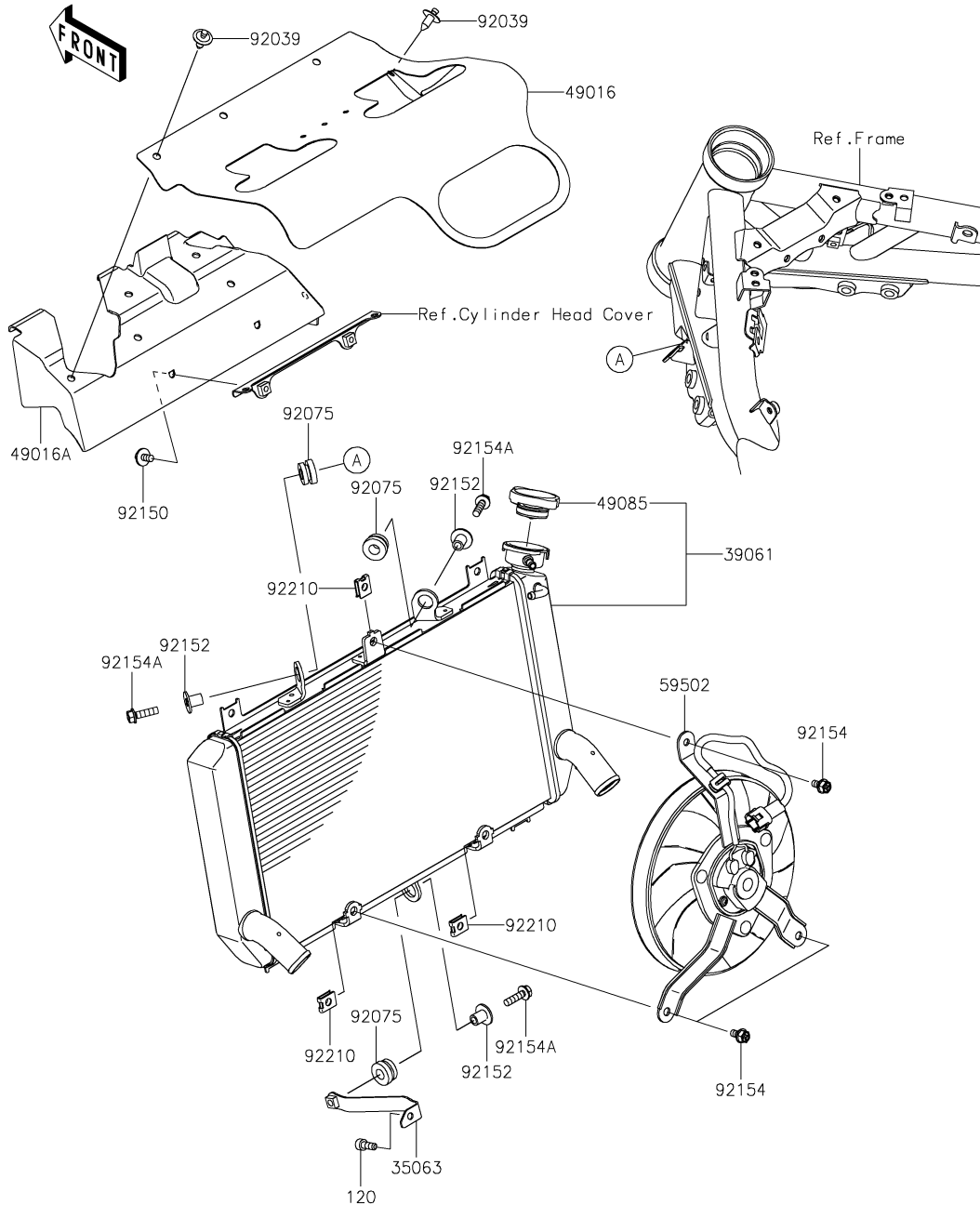


## 25. Starter Motor

Ref. No.	Part No.	Description	Spec Code	Quantity				
				'22	'22	'22		
				FNSNN	FNSBN	FNSCN		
13107	13107-1377	SHAFT, IDLER GEAR	1	1	1			
13194	13194-1096	CLUTCH-ONEWAY	1	1	1			
13280	13280-0814	HOLDER, MAGNETIC SWITCH	1	1	1			
14092	14092-0109	COVER	1	1	1			
16073	16073-0053	INSULATOR	1	1	1			
16085	16085-0609	GEAR, CLUTCH ONEWAY	1	1	1			
21039	21039-0004	BRUSH, CARBON	1	1	1			
21040	21040-0003	SPRING-BRUSH	4	4	4			
21163	21163-0748	STARTER-ELECTRIC	1	1	1			
26006	26006-0001	FUSE, MINI BLADE, 15A, BLUE	1	1	1			
26006A	26006-1080	FUSE, MINI BLADE, 30A, GREEN	1	1	1			
26011	26011-0986	WIRE-LEAD	1	1	1			
27010	27010-0770	SWITCH	1	1	1			
59051	59051-0762	GEAR-SPUR, IDLER	1	1	1			
92015	92015-1476	NUT, STARTER MOTOR	1	1	1			
92048	92048-0018	RACE	1	1	1			
92055	92055-0136	RING-O	2	2	2			
92055A	92055-1276	RING-O	1	1	1			
92055B	92055-1370	RING-O, 4.5X2.0	1	1	1			
92071	92071-0024	GROMMET	1	1	1			
92151	92151-1930	BOLT, FLANGED-SMALL, 6X25	2	2	2			
92153	92153-1850	BOLT	2	2	2			
92153A	92153-1866	BOLT	1	1	1			
92154	92154-2448	BOLT, TORX, 6X14	6	6	6			
92172	92172-0334	SCREW	1	1	1			
92200	92200-0386	WASHER	1	1	1			
92210	92210-0188	NUT, 6MM	1	1	1			
120	120CB0510	BOLT-SOCKET, 5X10	2	2	2			
461	461DB0500	WASHER-SPRING, 5MM	2	2	2			

# '22 ZR900 FNSNN/FNSBN/FNSCN

E3032

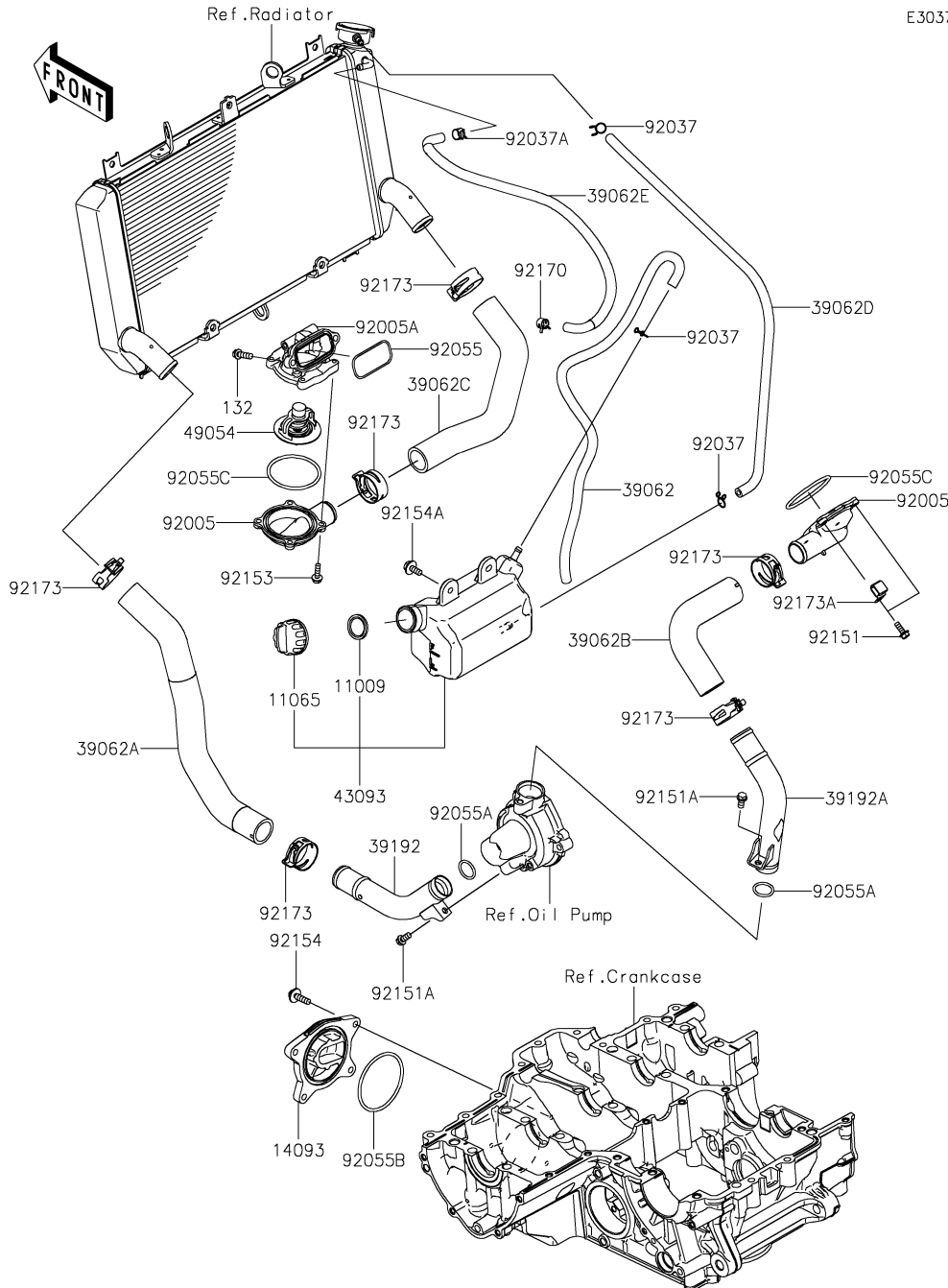


## 26. Radiator

Ref. No.	Part No.	Description	Spec Code	Quantity		
				'22 FNSNN	'22 FNSBN	'22 FNSCN
35063	35063-1364	STAY	1	1	1	
39061	39061-0813	RADIATOR-ASSY	1	1	1	
49016	49016-0638	COVER-SEAL,HEAT	1	1	1	
49016A	49016-0639	COVER-SEAL,HEAT	1	1	1	
49085	49085-0006	CAP-ASSY-PRESSURE	1	1	1	
59502	59502-0614	FAN-ASSY	1	1	1	
92039	92039-1289	RIVET	2	2	2	
92075	92075-1123	DAMPER,RUBBER	3	3	3	
92150	92150-1891	BOLT,6X12	2	2	2	
92152	92152-0667	COLLAR	3	3	3	
92154	92154-1429	BOLT	3	3	3	
92154A	92154-2673	BOLT,FLANGED,6X22	3	3	3	
92210	92210-1323	NUT	3	3	3	
120	120CA0616	BOLT-SOCKET,6X16	1	1	1	

# '22 ZR900 FNSNN/FNSBN/FNSCN

E3037



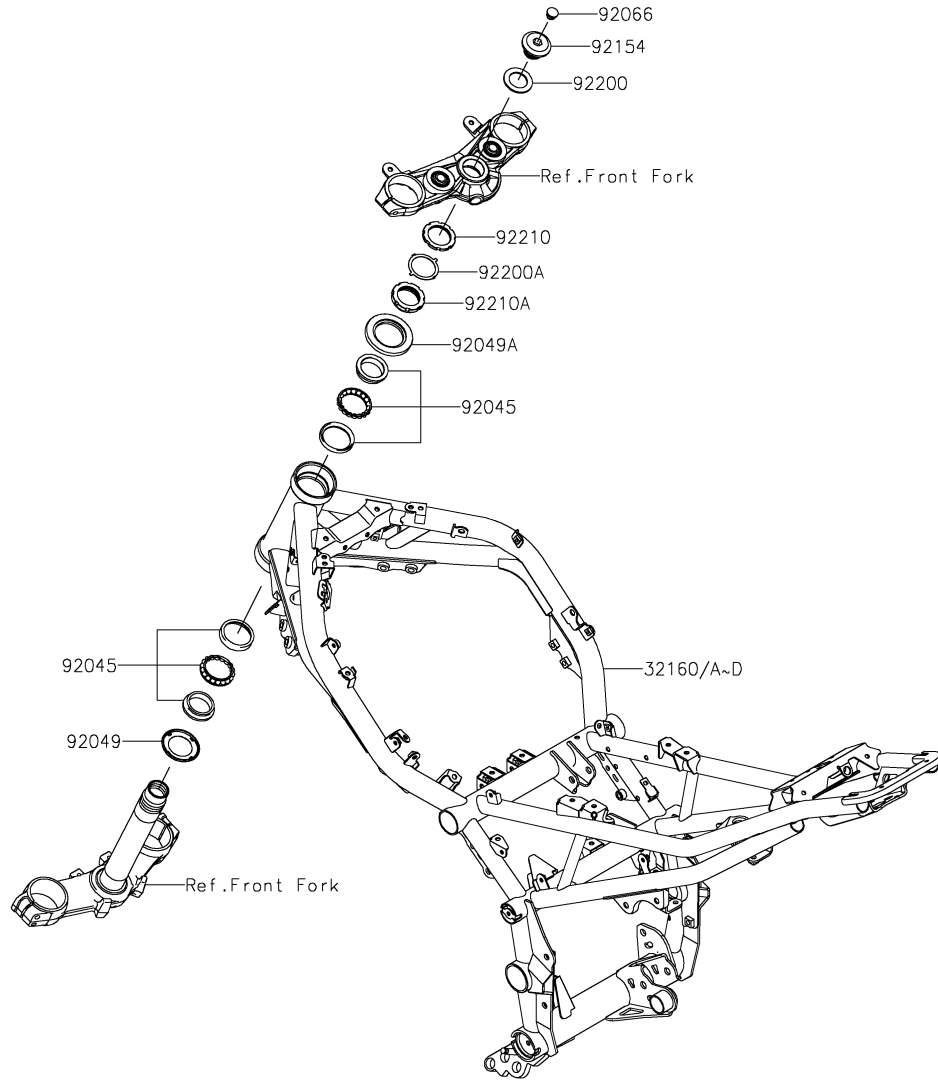
## 27. Water Pipe

Ref. No.	Part No.	Description	Spec Code	Quantity				
				'22	'22	'22		
				FNSNN	FNSBN	FNSCN		
11009	11009-1145	GASKET,RESERVOIR TANK CAP		1	1	1		
11065	11065-0980	CAP		1	1	1		
14093	14093-0144	COVER		1	1	1		
39062	39062-0618	HOSE-COOLING,OVERFLOW		1	1	1		
39062A	39062-0758	HOSE-COOLING,RADIATOR-W/PIPE		1	1	1		
39062B	39062-0785	HOSE-COOLING,W/PIPE-CYLINDER		1	1	1		
39062C	39062-0786	HOSE-COOLING,CYLINDER-RADIATOR		1	1	1		
39062D	39062-0887	HOSE-COOLING,5.5X10.5X570		1	1	1		
39062E	39062-0890	HOSE-COOLING,AIR BLEED		1	1	1		
39192	39192-0631	PIPE-WATER,RADIATOR-WATER PUMP		1	1	1		
39192A	39192-0644	PIPE-WATER,WATER PUMP-CYLINDER		1	1	1		
43093	43093-0006	RESERVOIR-ASSY-TANK		1	1	1		
49054	49054-0004	THERMOSTAT		1	1	1		
92005	92005-0842	FITTING,THERMO CAP		2	2	2		
92005A	92005-0846	FITTING,THERMO CASE		1	1	1		
92037	92037-147	CLAMP,TUBE		3	3	3		
92037A	92037-1505	CLAMP,TUBE		1	1	1		
92055	92055-0021	RING-O,YP 27.6 57.6 1.9		1	1	1		
92055A	92055-0114	RING-O,20.8X2.4		2	2	2		
92055B	92055-0739	RING-O,63.3MM		1	1	1		
92055C	92055-0831	RING-O,53.5X2.6		2	2	2		
92151	92151-1764	BOLT,5X14		4	4	4		
92151A	92151-1997	BOLT,6X12		2	2	2		
92153	92153-1588	BOLT,FLANGED,5X18		4	4	4		
92154	92154-0403	BOLT,FLANGED,6X22		4	4	4		
92154A	92154-1850	BOLT,UPSET-WP,6X16		2	2	2		
92170	92170-1493	CLAMP		1	1	1		
92173	92173-1360	CLAMP,34MM		6	6	6		
92173A	92173-1663	CLAMP		1	1	1		
132	132BC0620	BOLT-FLANGED-SMALL,6X20		2	2	2		



# '22 ZR900 FNSNN/FNSBN/FNSCN

F2120



## 28. Frame

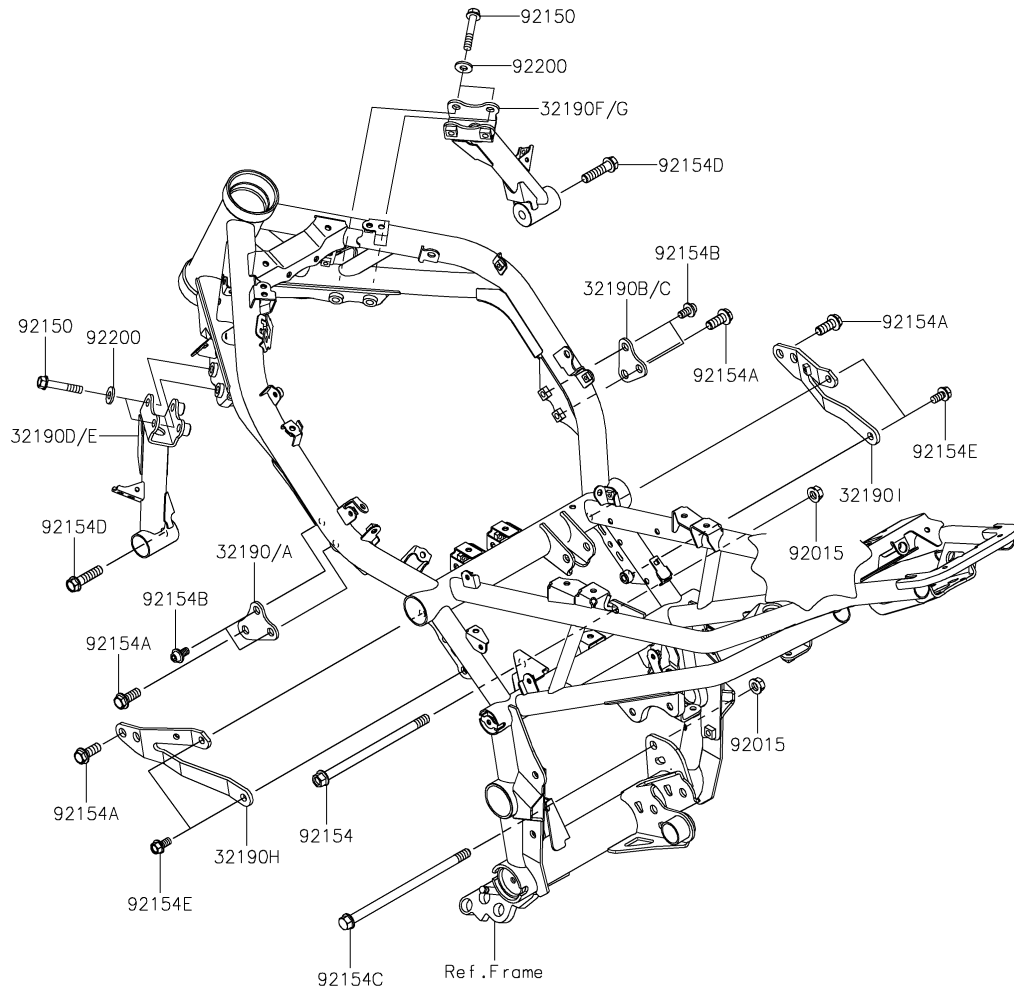
Ref. No.	Part No.	Description	Spec Code	Quantity			
				'22	'22	'22	
				FNSNN	FNSBN	FNSCN	
32160	32160-1919-10	FRAME-COMP, BLACK				1	
32160A	32160-1919-18R	FRAME-COMP, F.S. BLACK	1				
32160B	32160-1919-46Y	FRAME-COMP, G.B. GREEN		1			
32160C	32160-1919-54S	FRAME-COMP, M. GREEN	1				
32160D	32160-1919-63D	FRAME-COMP, N.F.M. RED			1		
92045	92045-1384	BEARING-BALL, SF07A17PX1V1	2	2	2		
92049	92049-0131	SEAL-OIL	1	1	1		
92049A	92049-0137	SEAL-OIL	1	1	1		
92066	92066-0981	PLUG	1	1	1		
92154	92154-4351	BOLT, 26MM	1	1	1		
92200	92200-0753	WASHER, 27X42X2.3	1	1	1		
92200A	92200-0781	WASHER, 27X42X2.3	1	1	1		
92210	92210-0534	NUT, STEERING STEM, 35MM	1	1	1		
92210A	92210-0535	NUT, STEERING STEM, 35MM	1	1	1		

F2122

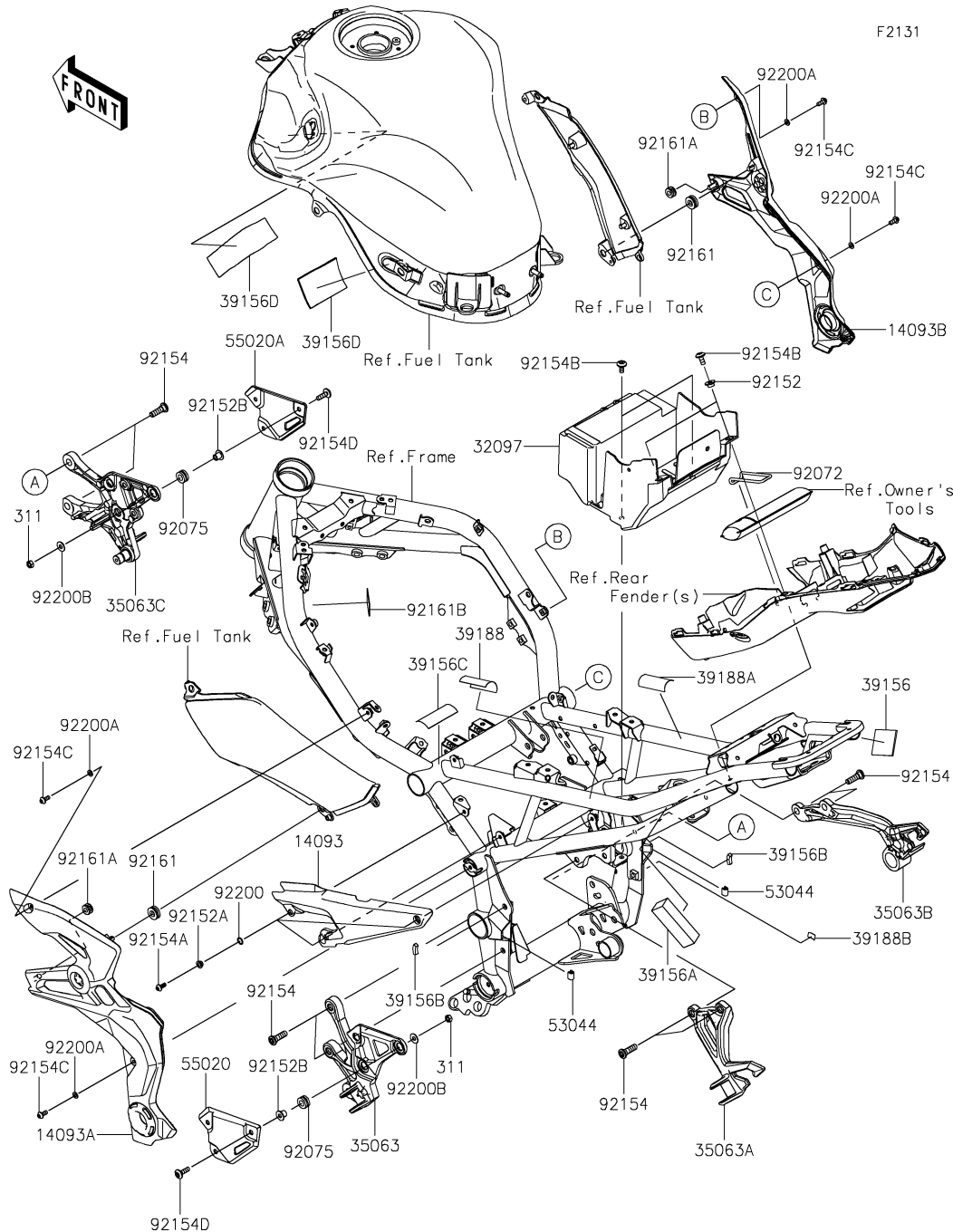
## 29. Engine Mount

Ref. No.	Part No.	Description	Spec Code	Quantity				
				'22	'22	'22		
				FNSNN	FNSBN	FNSCN		

32190	32190-0723-10	BRACKET-ENGINE,LH,BLACK						1
32190A	32190-0723-18R	BRACKET-ENGINE,LH,F.S.BLACK		1	1			
32190B	32190-0724-10	BRACKET-ENGINE,RH,BLACK						1
32190C	32190-0724-18R	BRACKET-ENGINE,RH,F.S.BLACK		1	1			
32190D	32190-0831-10	BRACKET-ENGINE,LH,BLACK						1
32190E	32190-0831-18R	BRACKET-ENGINE,LH,F.S.BLACK		1	1			
32190F	32190-0832-10	BRACKET-ENGINE,RH,BLACK						1
32190G	32190-0832-18R	BRACKET-ENGINE,RH,F.S.BLACK		1	1			
32190H	32190-0843	BRACKET-ENGINE,CYL.,LH		1	1	1		
32190I	32190-0844	BRACKET-ENGINE,CYL.,RH		1	1	1		
92015	92015-1180	NUT,FLANGED,10MM		2	2	2		
92150	92150-1487	BOLT,FLANGED,8X45		4	4	4		
92154	92154-0840	BOLT,FLANGED,10X170		1	1	1		
92154A	92154-2251	BOLT,FLANGED,10X25		4	4	4		
92154B	92154-2252	BOLT,SOCKET,8X14		4	4	4		
92154C	92154-4070	BOLT,FLANGED,10X195		1	1	1		
92154D	92154-4122	BOLT,FLANGED,10X40		2	2	2		
92154E	92154-4297	BOLT-FLANGED,8X16		4	4	4		
92200	92200-2481	WASHER,8.5X18X2.3		4	4	4		



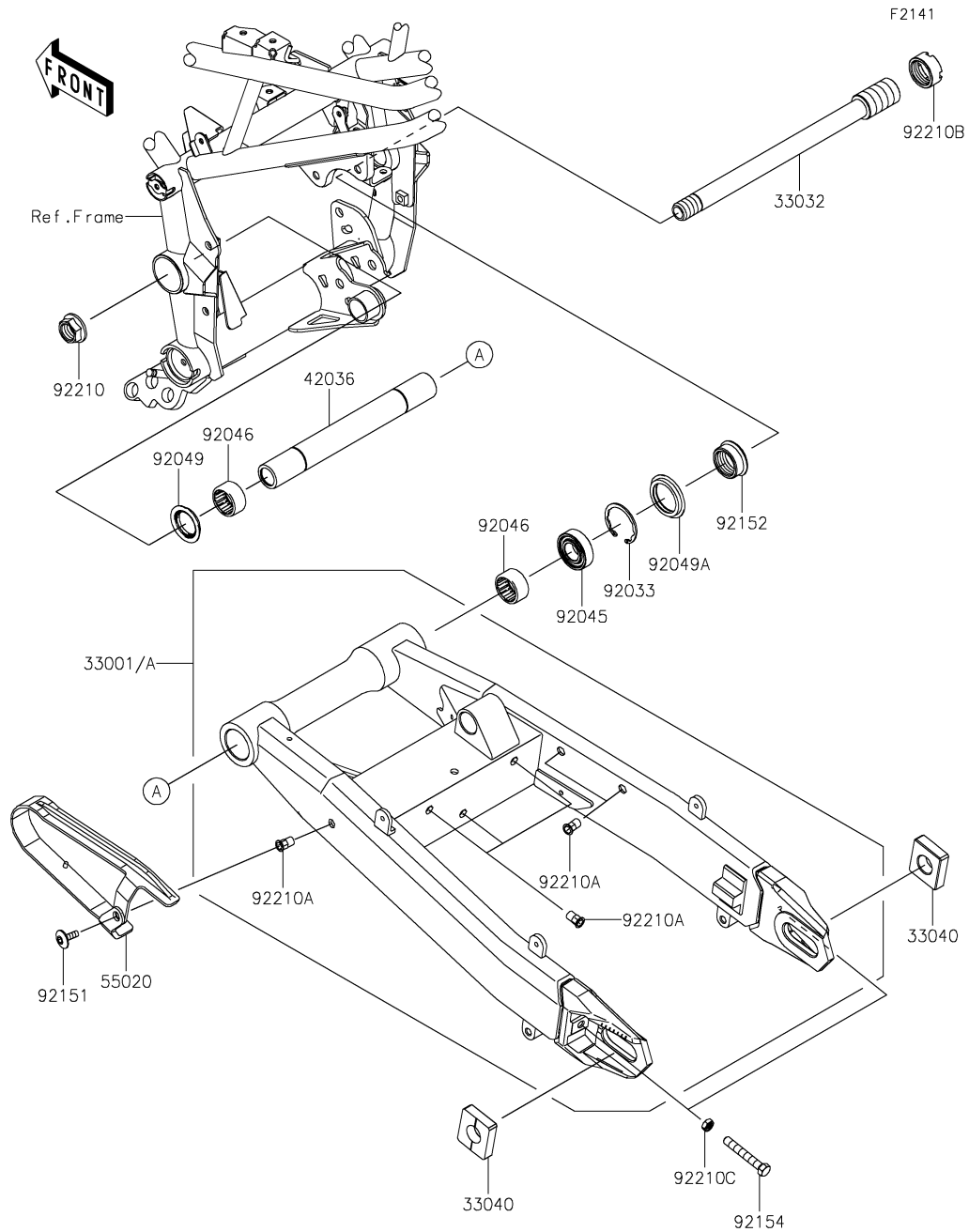
# '22 ZR900 FNSNN/FNSBN/FNSCN



# 30. Frame Fittings

Ref. No.	Part No.	Description	Spec Code	Quantity				
				'22	'22	'22		
				FNSNN	FNSBN	FNSCN		
14093	14093-0511	COVER,HARNESS,LH	1	1	1			
14093A	14093-0926-739	COVER,PIVOT,LH,M.F.S.BLACK	1	1	1			
14093B	14093-0927-739	COVER,PIVOT,RH,M.F.S.BLACK	1	1	1			
32097	32097-0045	CASE-BATTERY	1	1	1			
35063	35063-1399-18R	STAY,STEP,FR,LH,F.S.BLACK	1	1	1			
35063A	35063-1452-18R	STAY,STEP,RR,LH,F.S.BLACK	1	1	1			
35063B	35063-1453-18R	STAY,STEP,RR,RH,F.S.BLACK	1	1	1			
35063C	35063-1454-18R	STAY,STEP,FR,RH,F.S.BLACK	1	1	1			
39156	39156-2177	PAD,40X60X2	1	1	1			
39156A	39156-2217	PAD,25X80X20	1	1	1			
39156B	39156-2509	PAD,20X5X5	2	2	2			
39156C	39156-2535	PAD,70X30X1	1	1	1			
39156D	39156-2543	PAD,100X50X5	2	2	2			
39188	39188-0583	TAPE,40X60	1	1	1			
39188A	39188-0587	TAPE,60X30	1	1	1			
39188B	39188-0590	TAPE,15X30	1	1	1			
53044	53044-0577	TRIM	2	2	2			
55020	55020-1962	GUARD,HEEL,LH	1	1	1			
55020A	55020-1963	GUARD,HEEL,RH	1	1	1			
92072	92072-0865	BAND,TOOL CASE	1	1	1			
92075	92075-1409	DAMPER	6	6	6			
92152	92152-2287	COLLAR,6.5X10X6.4	2	2	2			
92152A	92152-2354	COLLAR,5.7X8.5X4.5	3	3	3			
92152B	92152-2682	COLLAR	6	6	6			
92154	92154-2334	BOLT,SOCKET,8X28	8	8	8			
92154A	92154-2678	BOLT,SOCKET,5X12,MEC	3	3	3			
92154B	92154-4286	BOLT,SOCKET,6X14	4	4	4			
92154C	92154-4289	BOLT,SOCKET,5X12	4	4	4			
92154D	92154-4295	BOLT,SOCKET,6X20	6	6	6			
92161	92161-0588	DAMPER	2	2	2			
92161A	92161-0864	DAMPER	2	2	2			
92161B	92161-1432	DAMPER,25X40,T1.0	1	1	1			
92200	92200-1888	WASHER,8.8X11.5X0.5	3	3	3			
92200A	92200-2286	WASHER,5.2X10X1	4	4	4			
92200B	92200-2390	WASHER,6.5X16X1.0	6	6	6			
311	311AA0600	NUT-HEX,6MM	6	6	6			

# '22 ZR900 FNSNN/FNSBN/FNSCN

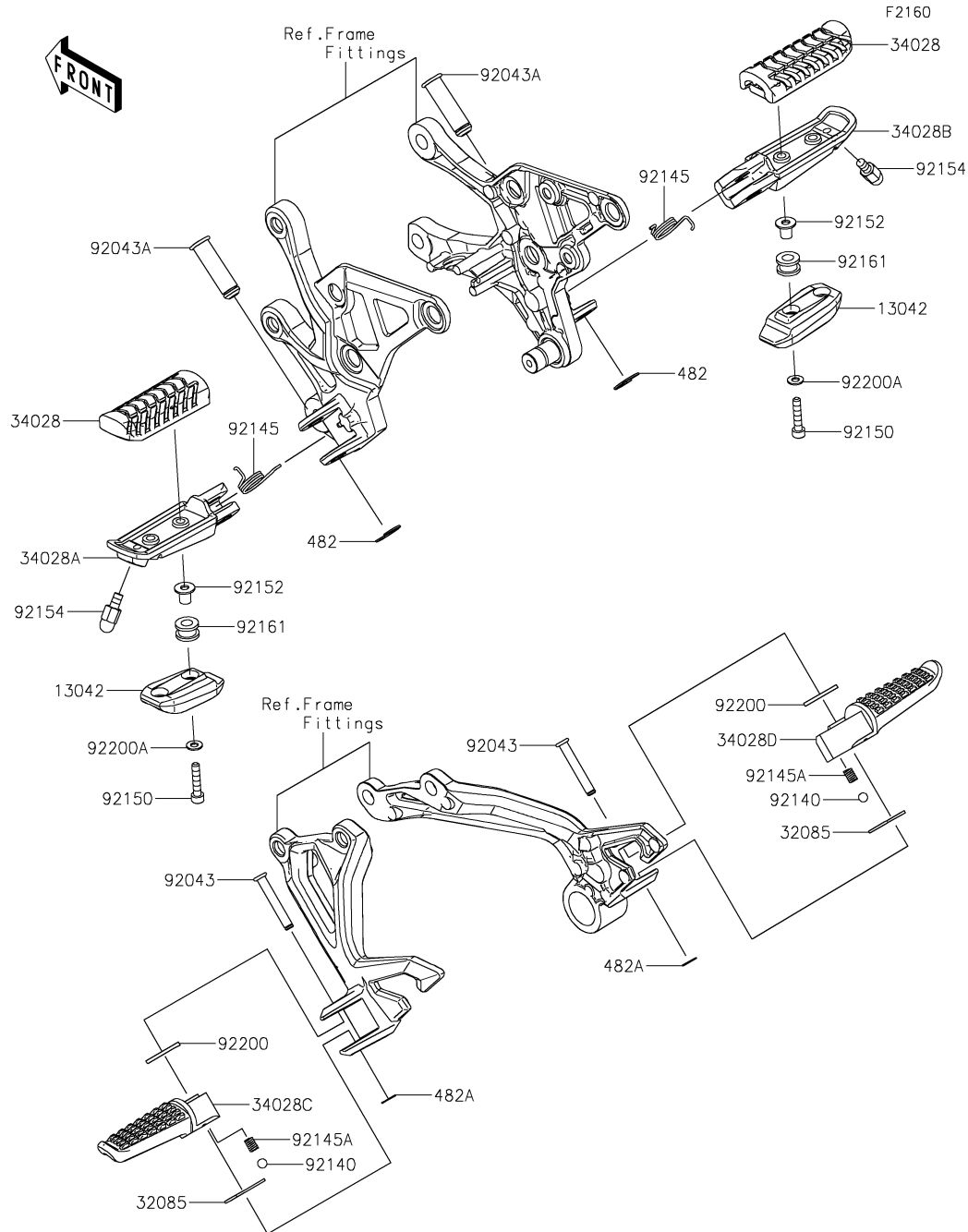


## 31. Swingarm

Ref. No.	Part No.	Description	Spec Code	Quantity				
				'22	'22	'22		
				FNSNN	FNSBN	FNSCN		
33001	33001-0732-10	ARM-COMP-SWING,BLACK						1
33001A	33001-0732-18R	ARM-COMP-SWING,F.S.BLACK		1	1			
33032	33032-0055	SHAFT-SWING ARM,20X269		1	1	1		
33040	33040-1109	ADJUSTER-CHAIN		2	2	2		
42036	42036-0842	SLEEVE		1	1	1		
55020	55020-1961	GUARD,CHAIN		1	1	1		
92033	92033-1041	RING-SNAP,42MM		1	1	1		
92045	92045-0017	BEARING-BALL,6004UL11		1	1	1		
92046	92046-0008	BEARING-NEEDLE,7E-HVS 28X34X17		2	2	2		
92049	92049-0132	SEAL-OIL		1	1	1		
92049A	92049-1380	SEAL-OIL,MHA 35 42 5.7F		1	1	1		
92151	92151-1149	BOLT,SOCKET,6X18		1	1	1		
92152	92152-2781	COLLAR,28X35X15		1	1	1		
92154	92154-4304	BOLT,8X55		2	2	2		
92210	92210-0320	NUT,FLANGED,20MM		1	1	1		
92210A	92210-0324	NUT,POP,6MM,L=16.5		6	6	6		
92210B	92210-1575	NUT,28MM		1	1	1		
92210C	92210-1869	NUT,8MM		2	2	2		



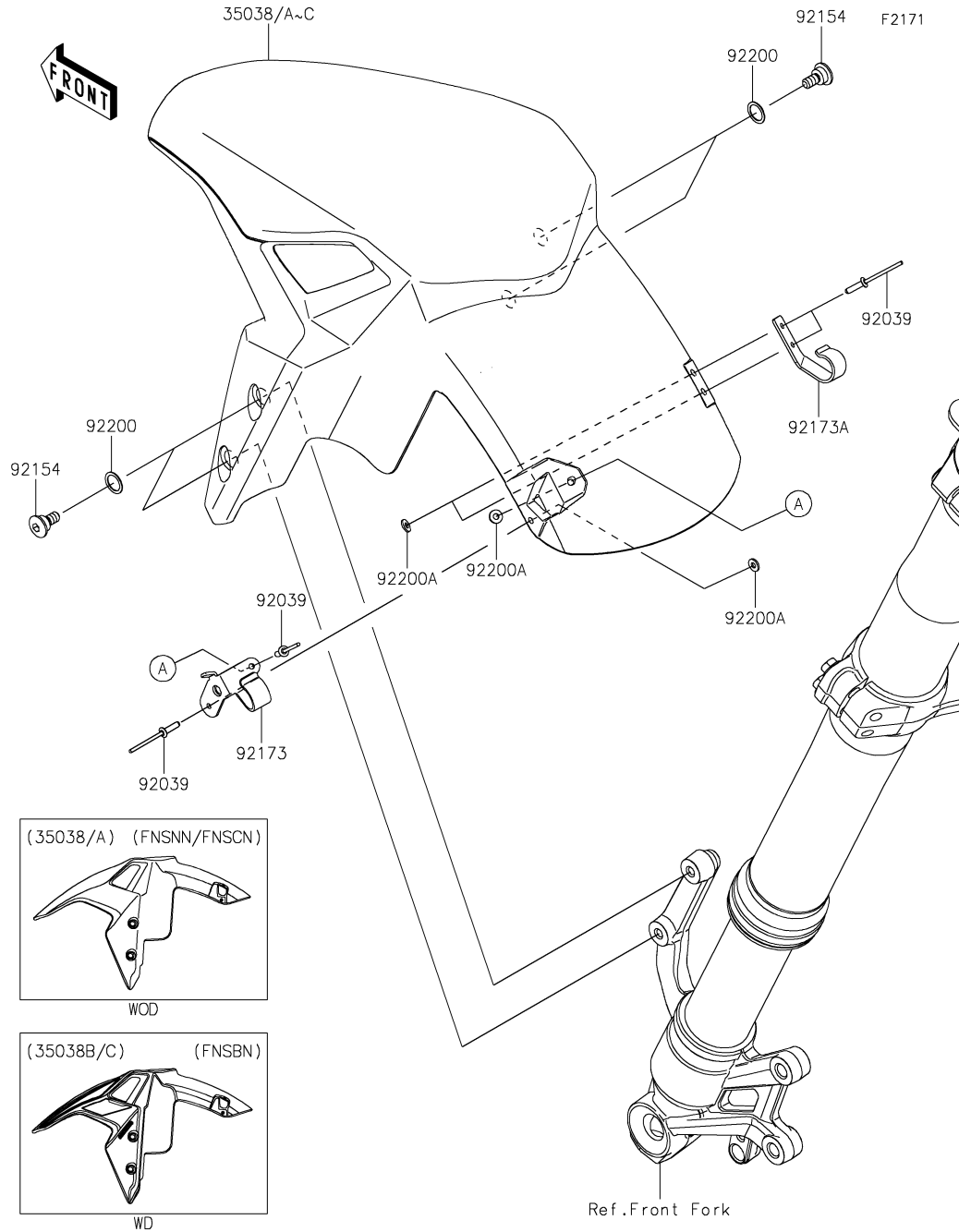
# '22 ZR900 FNSNN/FNSBN/FNSCN



## 33. Footrests

Ref. No.	Part No.	Description	Spec Code	Quantity				
				'22 FNSNN	'22 FNSBN	'22 FNSCN		
13042	13042-0790	WEIGHT		2	2	2		
32085	32085-0801	STOPPER		2	2	2		
34028	34028-0349	STEP,RUBBER		2	2	2		
34028A	34028-0350	STEP,FR,LH		1	1	1		
34028B	34028-0351	STEP,FR,RH		1	1	1		
34028C	34028-0366	STEP,RR,LH		1	1	1		
34028D	34028-0367	STEP,RR,RH		1	1	1		
92043	92043-0200	PIN,6X40		2	2	2		
92043A	92043-1746	PIN,12X42.5		2	2	2		
92140	92140-0008	BALL,6.35MM		2	2	2		
92145	92145-0723	SPRING,STEP RETURN		2	2	2		
92145A	92145-1319	SPRING		2	2	2		
92150	92150-1684	BOLT,SOCKET,5X25		4	4	4		
92152	92152-2596	COLLAR		4	4	4		
92154	92154-0838	BOLT,BANK SENSOR		2	2	2		
92161	92161-2082	DAMPER,8X16X8		4	4	4		
92200	92200-0043	WASHER,16X26X2.3		2	2	2		
92200A	92200-2479	WASHER,5.3X11X1		4	4	4		
482	482EA0100	CIRCLIP-TYPE-E,10MM		2	2	2		
482A	482EA5000	CIRCLIP-TYPE-E		2	2	2		

# '22 ZR900 FNSNN/FNSBN/FNSCN

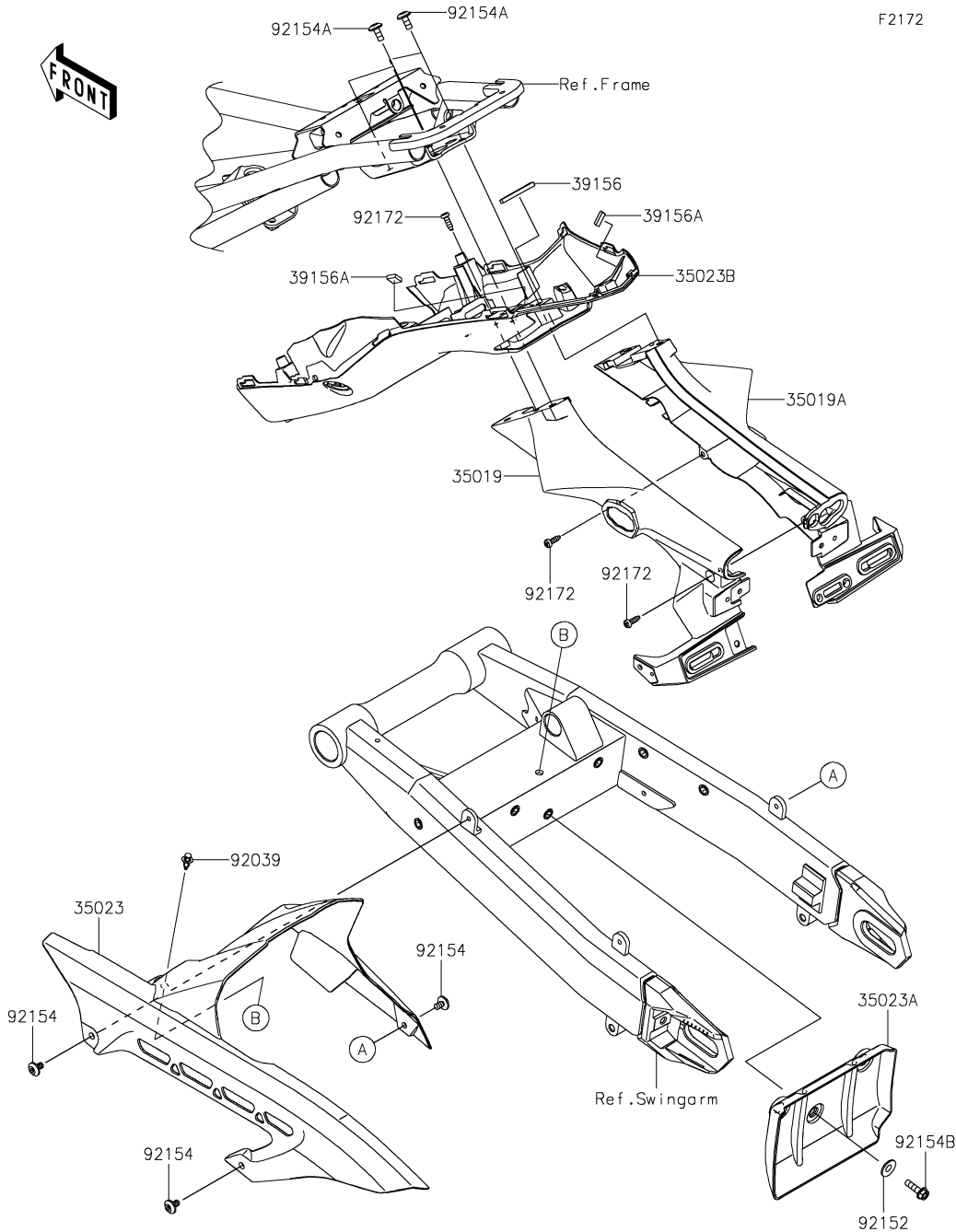


## 34. Front Fender(s)

Ref. No.	Part No.	Description	Spec Code	Quantity				
				'22	'22	'22		
				FNSNN	FNSBN	FNSCN		
35038	35038-0023-660	FENDER-FRONT,M.S.BLACK		1				
35038A	35038-0023-B1	FENDER-FRONT,F.RED					1	
35038B	35038-5215-660	FENDER-FRONT,M.S.BLACK			1			
35038C	35038-5250-68N	FENDER-FRONT,P.R.WHITE			1			
92039	92039-0752	RIVET,3.2X9.5		4	4	4		
92154	92154-2660	BOLT,SOCKET,6X15		4	4	4		
92173	92173-1600	CLAMP,LH		1	1	1		
92173A	92173-1601	CLAMP,RH		1	1	1		
92200	92200-1880	WASHER,10.4X14X0.5		4	4	4		
92200A	92200-2480	WASHER,3.5X8X1		4	4	4		

# '22 ZR900 FNSNN/FNSBN/FNSCN

# 35. Rear Fender(s)

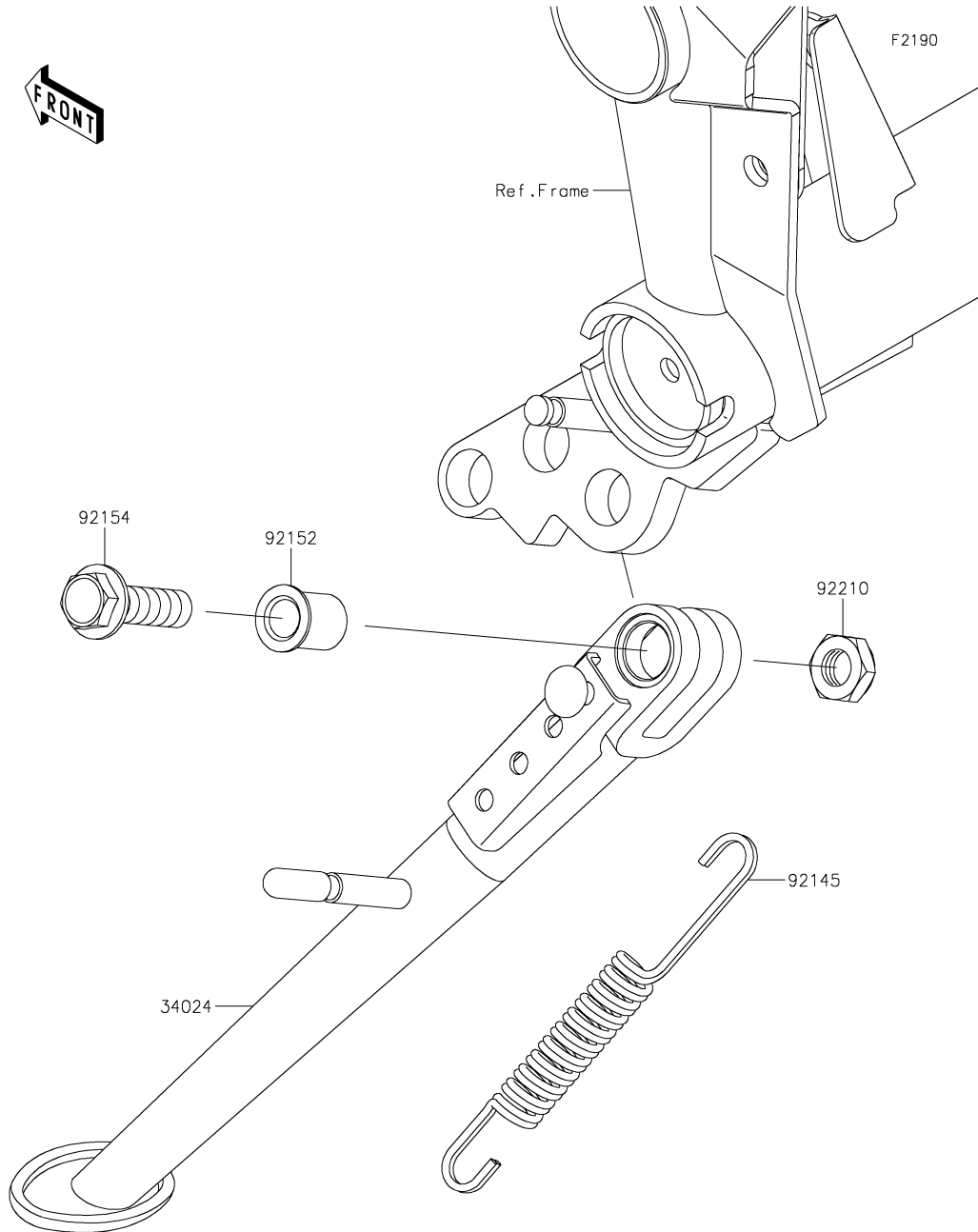


Ref. No.	Part No.	Description	Spec Code	Quantity				
				'22	'22	'22		
				FNSNN	FNSBN	FNSCN		
35019	35019-0677	FLAP,RR,LH	1	1	1			
35019A	35019-0678	FLAP,RR,RH	1	1	1			
35023	35023-0421	FENDER-REAR,INNER	1	1	1			
35023A	35023-0432	FENDER-REAR,INNER,LWR	1	1	1			
35023B	35023-0474	FENDER-REAR	1	1	1			
39156	39156-2179	PAD,4X44X5	1	1	1			
39156A	39156-2180	PAD,10X15X4	2	2	2			
92039	92039-0086	RIVET	1	1	1			
92152	92152-2432	COLLAR,6.8X20X4.6	3	3	3			
92154	92154-2667	BOLT,SOCKET,6X10	3	3	3			
92154A	92154-4285	BOLT,SOCKET,6X14	4	4	4			
92154B	92154-4287	BOLT,FLANGED,6X22	3	3	3			
92172	92172-1425	SCREW,TAPPING,5X16	3	3	3			



# '22 ZR900 FNSNN/FNSBN/FNSCN

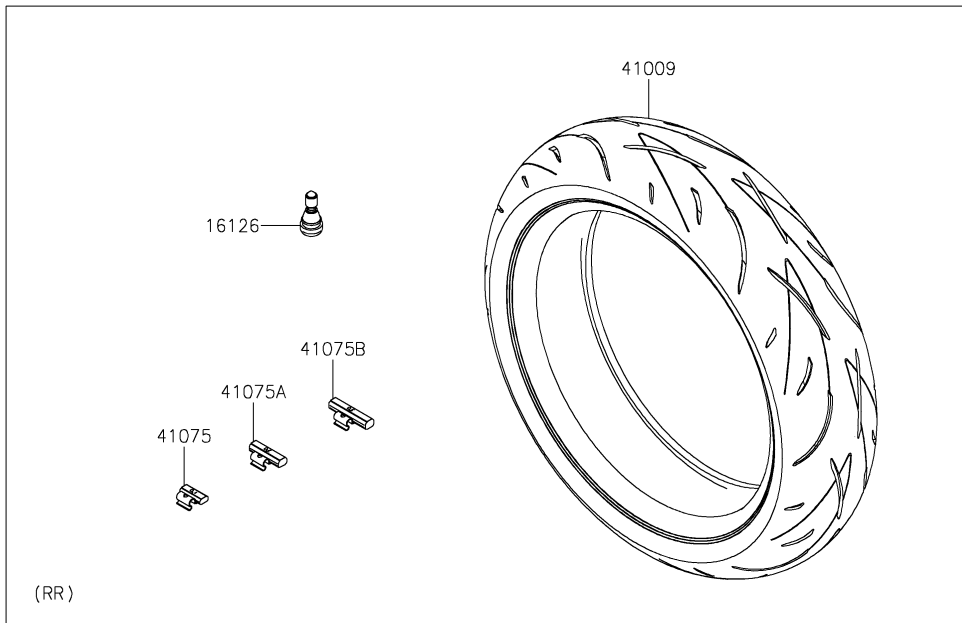
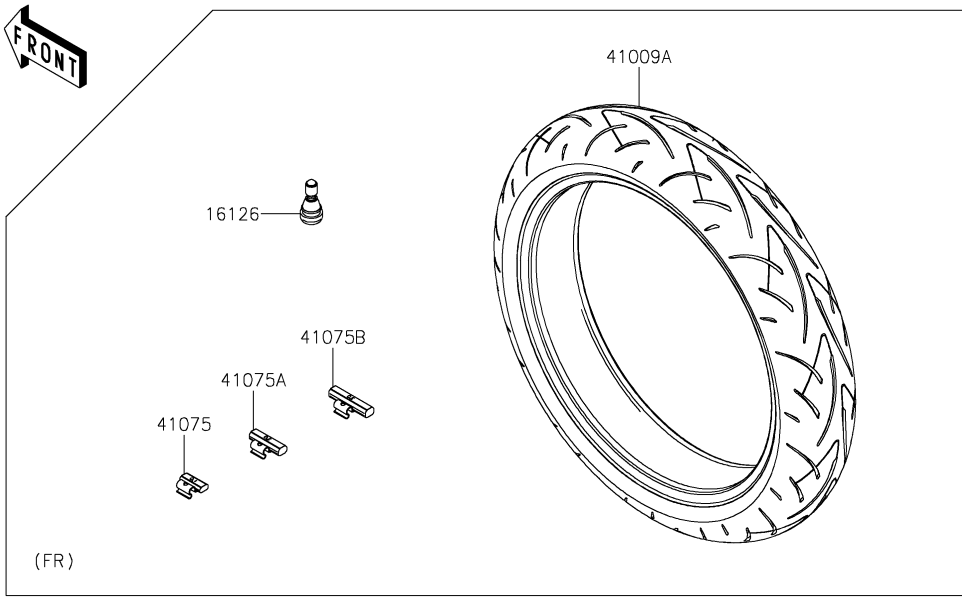
# 36. Stand(s)



Ref. No.	Part No.	Description	Spec Code	Quantity				
				'22	'22	'22		
				FNSNN	FNSBN	FNSCN		
34024	34024-0141-18R	STAND-SIDE,F.S.BLACK		1	1	1		
92145	92145-0562	SPRING,SIDE STAND		1	1	1		
92152	92152-2248	COLLAR,10.2X15X18.6		1	1	1		
92154	92154-4302	BOLT,FLANGED,10X35		1	1	1		
92210	92210-0784	NUT,LOCK,10MM		1	1	1		

# '22 ZR900 FNSNN/FNSBN/FNSCN

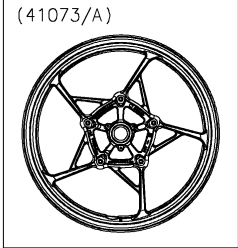
F2210



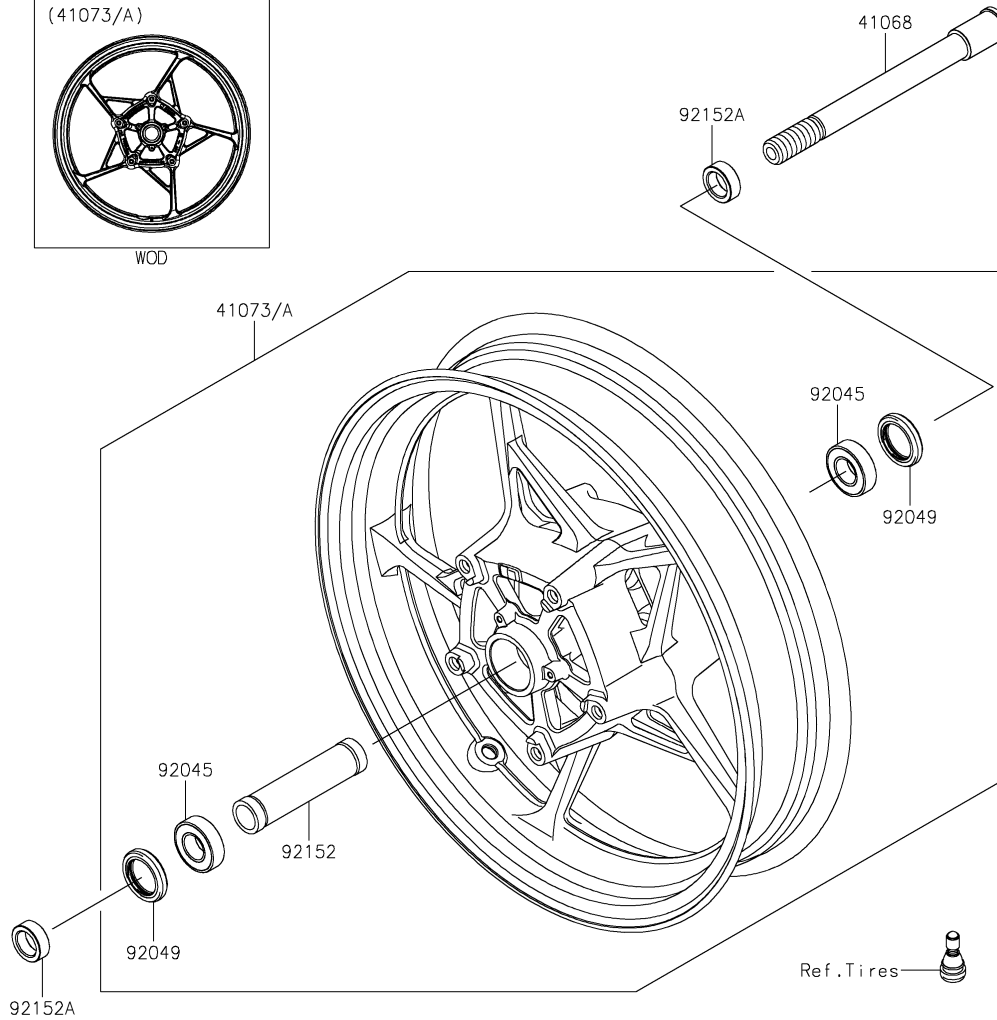
## 37. Tires

Ref. No.	Part No.	Description	Spec Code	Quantity				
				'22	'22	'22		
				FNSNN	FNSBN	FNSCN		
16126	16126-1140	VALVE,TIRE		2	2	2		
41009	41009-0829	TIRE,RR,180/55ZR17(73W)		1	1	1		
41009A	41009-0859	TIRE,FR,120/70ZR17(58W)		1	1	1		
41075	41075-0007	BALANCER-WHEEL,10G,SILVER		AR	AR	AR		
41075A	41075-0008	BALANCER-WHEEL,20G,SILVER		AR	AR	AR		
41075B	41075-0009	BALANCER-WHEEL,30G,SILVER		AR	AR	AR		

F2230



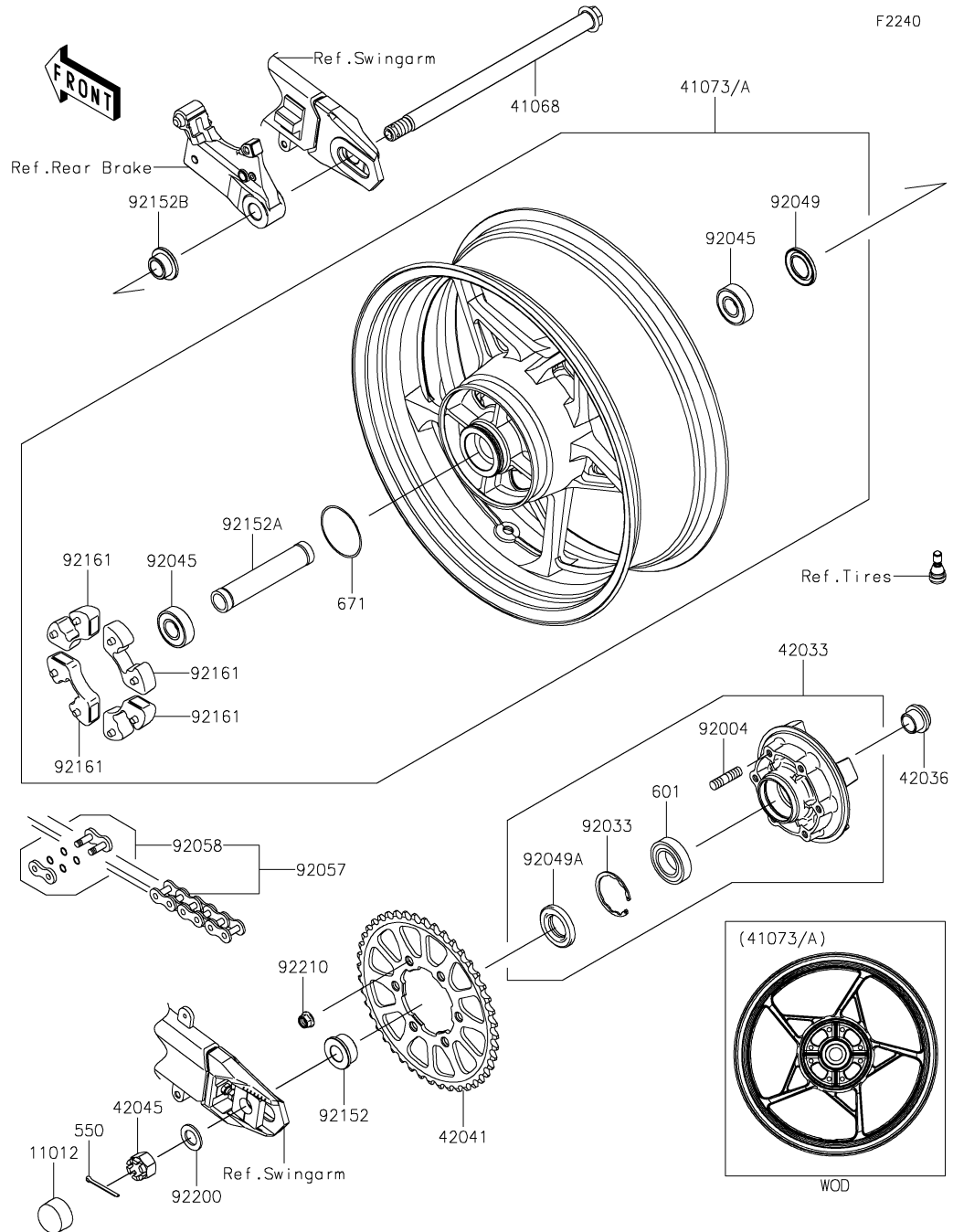
WOD



Ref. No.	Part No.	Description	Spec Code	Quantity				
				'22	'22	'22		
				FNSNN	FNSBN	FNSCN		

41068	41068-0618	AXLE,FR,20X199		1	1	1		
41073	41073-0713-153	WHEEL-ASSY,FR,F.RE						1
41073A	41073-0713-QT	WHEEL-ASSY,FR,G.BL		1	1			
92045	92045-0820	BEARING-BALL,20X42X12		2	2	2		
92049	92049-0130	SEAL-OIL,BJN30427		2	2	2		
92152	92152-2227	COLLAR,20.2X27.2X115		1	1	1		
92152A	92152-2249	COLLAR,20X30X10.5		2	2	2		

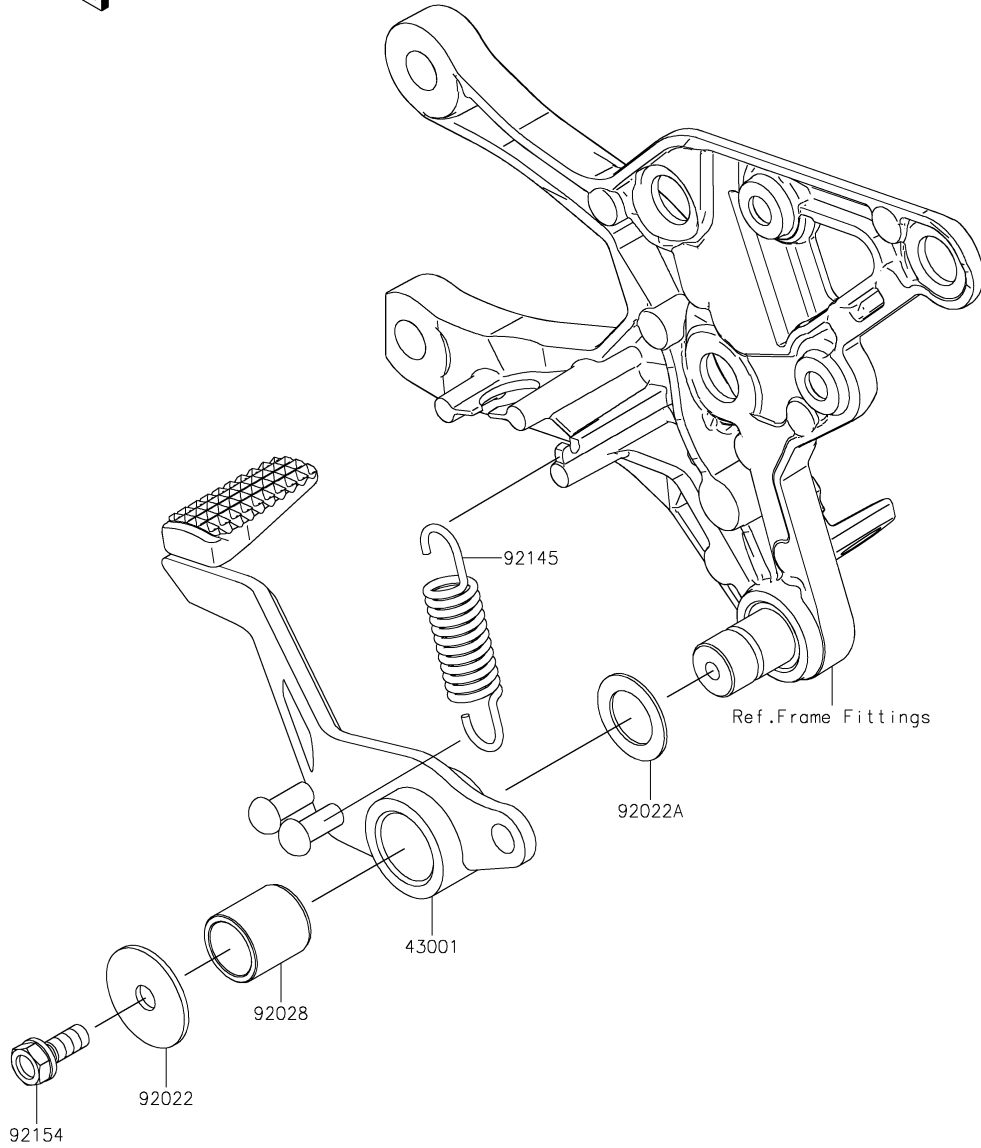
# '22 ZR900 FNSNN/FNSBN/FNSCN



## 39. Rear Hub

Ref. No.	Part No.	Description	Spec Code	Quantity			
				'22	'22	'22	
				FNSNN	FNSBN	FNSCN	
11012	11012-1590	CAP,AXLE NUT	1	1	1		
41068	41068-0619	AXLE,RR,18X327.2	1	1	1		
41073	41073-0706-153	WHEEL-ASSY,RR,F.RED				1	
41073A	41073-0706-QT	WHEEL-ASSY,RR,G.BLACK	1	1			
42033	42033-0570	COUPLING-ASSY,RR HUB	1	1	1		
42036	42036-1251	SLEEVE,RR HUB,L=23	1	1	1		
42041	42041-0158	SPROCKET-HUB,44T	1	1	1		
42045	42045-018	NUT,CASTLE,18MM	1	1	1		
92004	92004-0048	STUD,10X19	6	6	6		
92033	92033-1043	RING-SNAP,52MM	1	1	1		
92045	92045-0821	BEARING-BALL,20X47X14	2	2	2		
92049	92049-0140	SEAL-OIL,28 47 5	1	1	1		
92049A	92049-1287	SEAL-OIL	1	1	1		
92057	92057-0672	CHAIN,DRIVE,EK525RMX3/3D,114L	1	1	1		
92058	92058-0041	JOINT-CHAIN	1	1	1		
92152	92152-1585	COLLAR,20X35X18	1	1	1		
92152A	92152-2250	COLLAR,20.2X27.2X141.9	1	1	1		
92152B	92152-2698	COLLAR,RR AXLE,RH,L=16.4	1	1	1		
92161	92161-0342	DAMPER,SHOCK,RR HUB	4	4	4		
92200	92200-1489	WASHER,19X32X2.6	1	1	1		
92210	92210-0276	NUT,LOCK,FLANGED,10MM	6	6	6		
550	550AA4040	PIN-COTTER,4.0X40	1	1	1		
601	601B6205UU	BEARING-BALL	1	1	1		
671	671B2560	O RING,60MM	1	1	1		

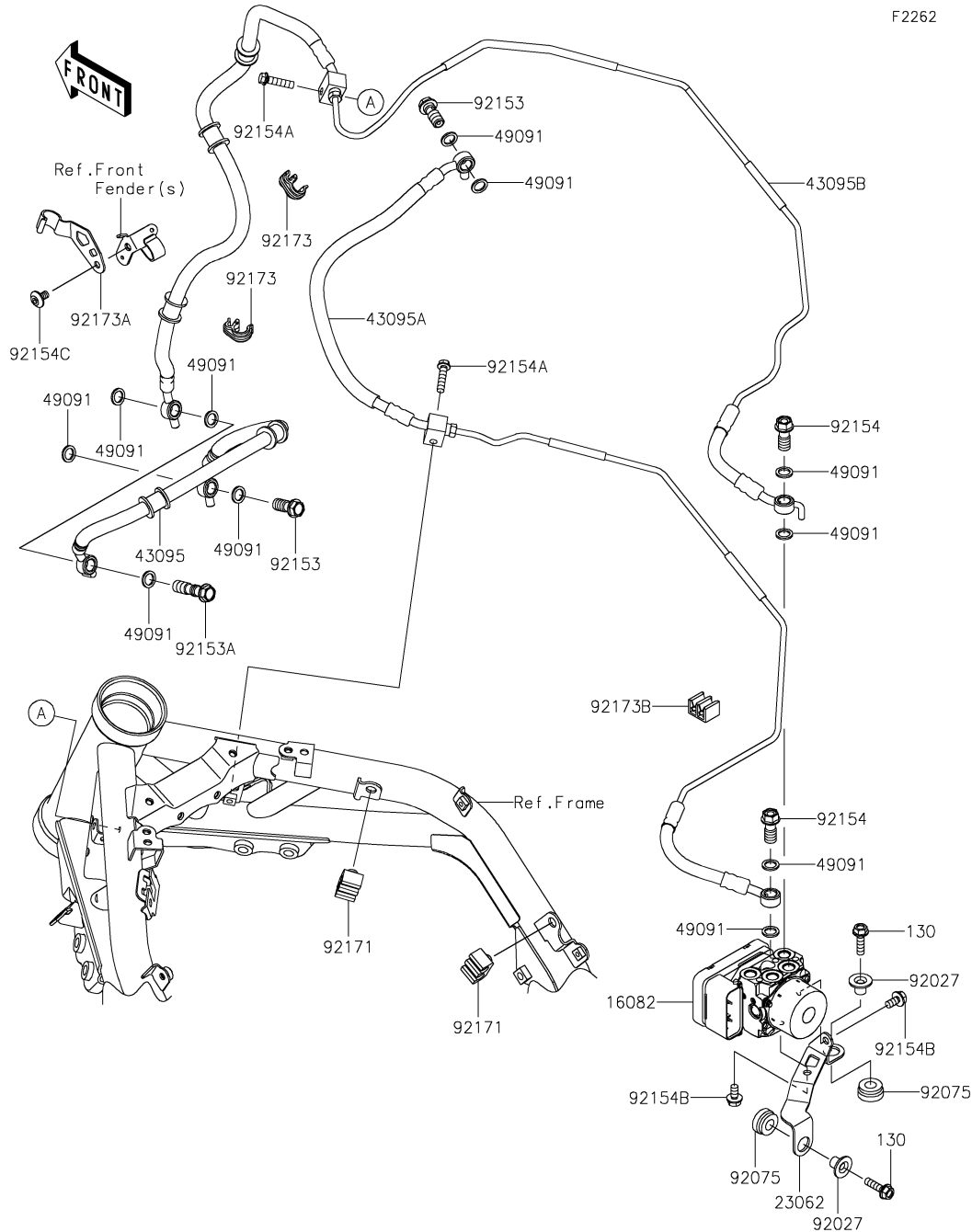
F2260



## 40. Brake Pedal

Ref. No.	Part No.	Description	Spec Code	Quantity				
				'22	'22	'22		
				FNSNN	FNSBN	FNSCN		
43001	43001-0749	LEVER-BRAKE		1	1	1		
92022	92022-1282	WASHER,7X28X1.6		1	1	1		
92022A	92022-326	WASHER,15.3X24X1		1	1	1		
92028	92028-1282	BUSHING,BRAKE PEDAL		1	1	1		
92145	92145-0893	SPRING,BRAKE PEDAL		1	1	1		
92154	92154-0935	BOLT,UPSET-WS,6X16		1	1	1		

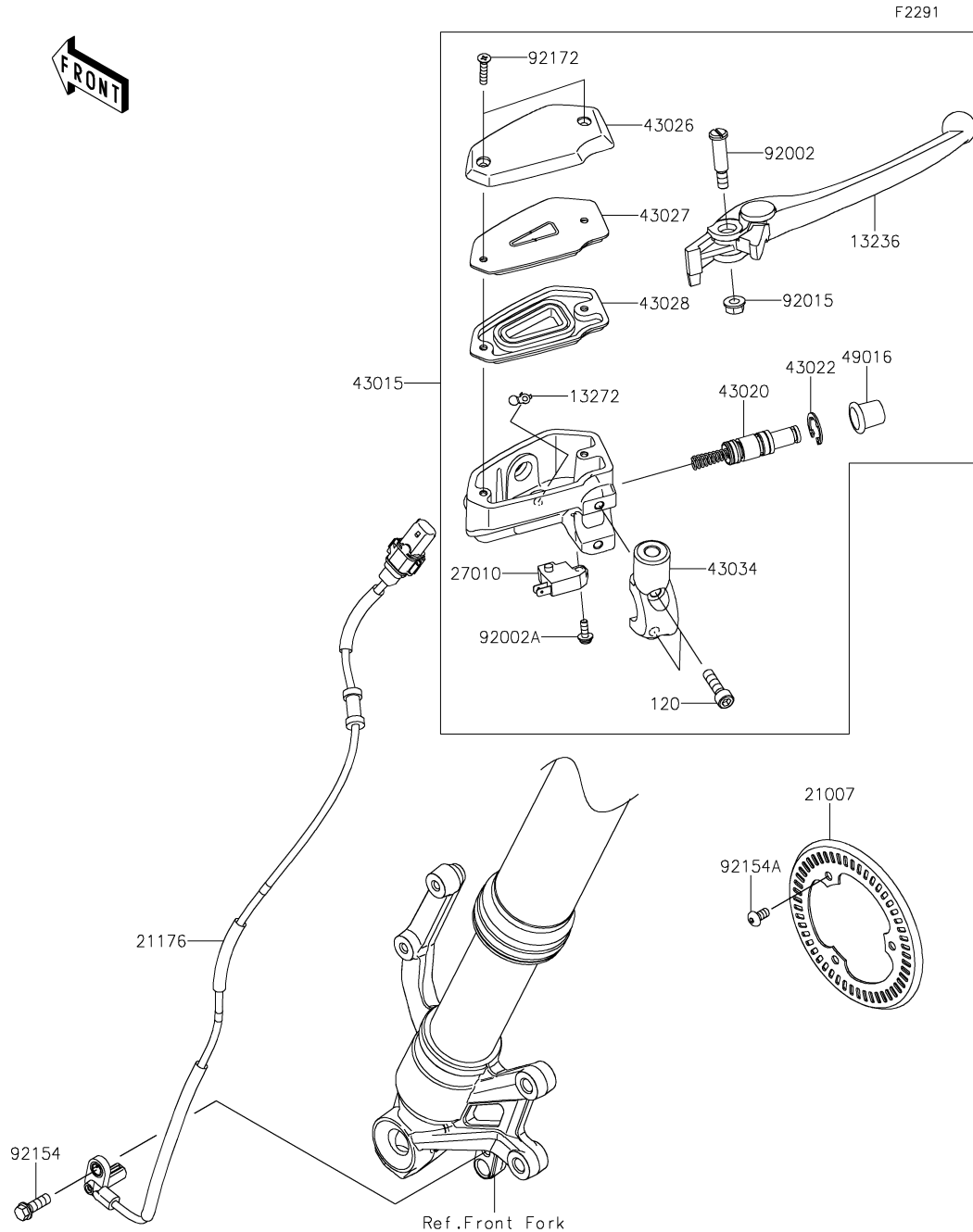
# '22 ZR900 FNSNN/FNSBN/FNSCN



F2262

## 41. Brake Piping

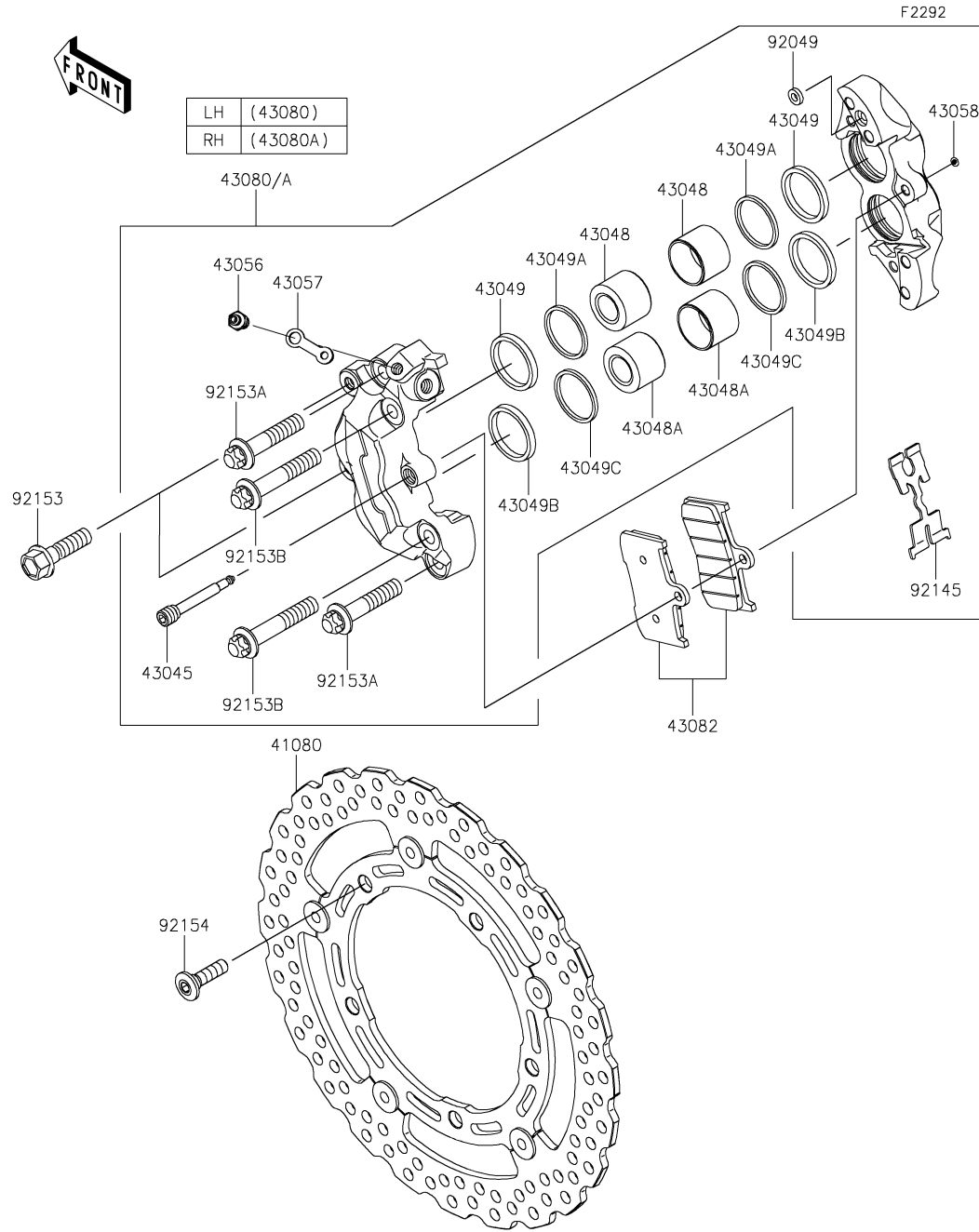
Ref. No.	Part No.	Description	Spec Code	Quantity				
				'22	'22	'22		
				FNSNN	FNSBN	FNSCN		
16082	16082-0810	PUMP-ASSY-OIL,ABS	1	1	1			
23062	23062-1235	BRACKET-COMP,ABS UNIT	1	1	1			
43095	43095-0970	HOSE-BRAKE,FR,444MM	1	1	1			
43095A	43095-1680	HOSE-BRAKE,FR M/C-ABS UNIT	1	1	1			
43095B	43095-1682	HOSE-BRAKE,FR CALIPER-ABS UNIT	1	1	1			
49091	49091-0001	WASHER-SEAL,10.1X14.5X1.5	11	11	11			
92027	92027-1651	COLLAR,FLANGED,L=12.1,BLACK	2	2	2			
92075	92075-277	DAMPER	2	2	2			
92153	92153-0627	BOLT,OIL,L=23	2	2	2			
92153A	92153-0628	BOLT,OIL,L=37	1	1	1			
92154	92154-1138	BOLT,BANJO,10X22	2	2	2			
92154A	92154-2154	BOLT,FLANGED,6X25	2	2	2			
92154B	92154-4121	BOLT,FLANGED,6X12	2	2	2			
92154C	92154-4298	BOLT,SOCKET,6X10	1	1	1			
92171	92171-0818	CLAMP	2	2	2			
92173	92173-1613	CLAMP,HOSE&SENSOR LINE	2	2	2			
92173A	92173-1634	CLAMP,FR FENDER	1	1	1			
92173B	92173-2106	CLAMP	1	1	1			
130	130BA0622	BOLT-FLANGED,6X22	2	2	2			



F2291

Ref. No.	Part No.	Description	Spec Code	Quantity				
				'22	'22	'22		
				FNSNN	FNSBN	FNSCN		
13236	13236-0140	LEVER-COMP,FRONT BRAKE	1	1	1			
13272	13272-0573	PLATE	1	1	1			
21007	21007-0671	ROTOR,SENSOR,FR	1	1	1			
21176	21176-0911	SENSOR,SPEED,FR	1	1	1			
27010	27010-0762	SWITCH,BRAKE	1	1	1			
43015	43015-0703	CYLINDER-ASSY-MASTER,FR	1	1	1			
43020	43020-0008	PISTON-COMP-BRAKE	1	1	1			
43022	43022-1010	STOPPER-BRAKE,PISTON	1	1	1			
43026	43026-0019	CAP-BRAKE	1	1	1			
43027	43027-0008	PLATE-DIAPHRAGM	1	1	1			
43028	43028-0015	DIAPHRAGM	1	1	1			
43034	43034-0049	HOLDER-BRAKE,MASTER CYLINDER	1	1	1			
49016	49016-1044	COVER-SEAL,MASTER CYLINDER	1	1	1			
92002	92002-1322	BOLT,LEVER SET,BLACK	1	1	1			
92002A	92002-1323	BOLT,SCREW,4X12	1	1	1			
92015	92015-1528	NUT,FLANGED,6MM	1	1	1			
92154	92154-0784	BOLT,FLANGED,6X18	1	1	1			
92154A	92154-2801	BOLT,SOCKET,5X10	3	3	3			
92172	92172-0320	SCREW,4X20	2	2	2			
120	120CB0622	BOLT-SOCKET,6X22	2	2	2			

# '22 ZR900 FNSNN/FNSBN/FNSCN

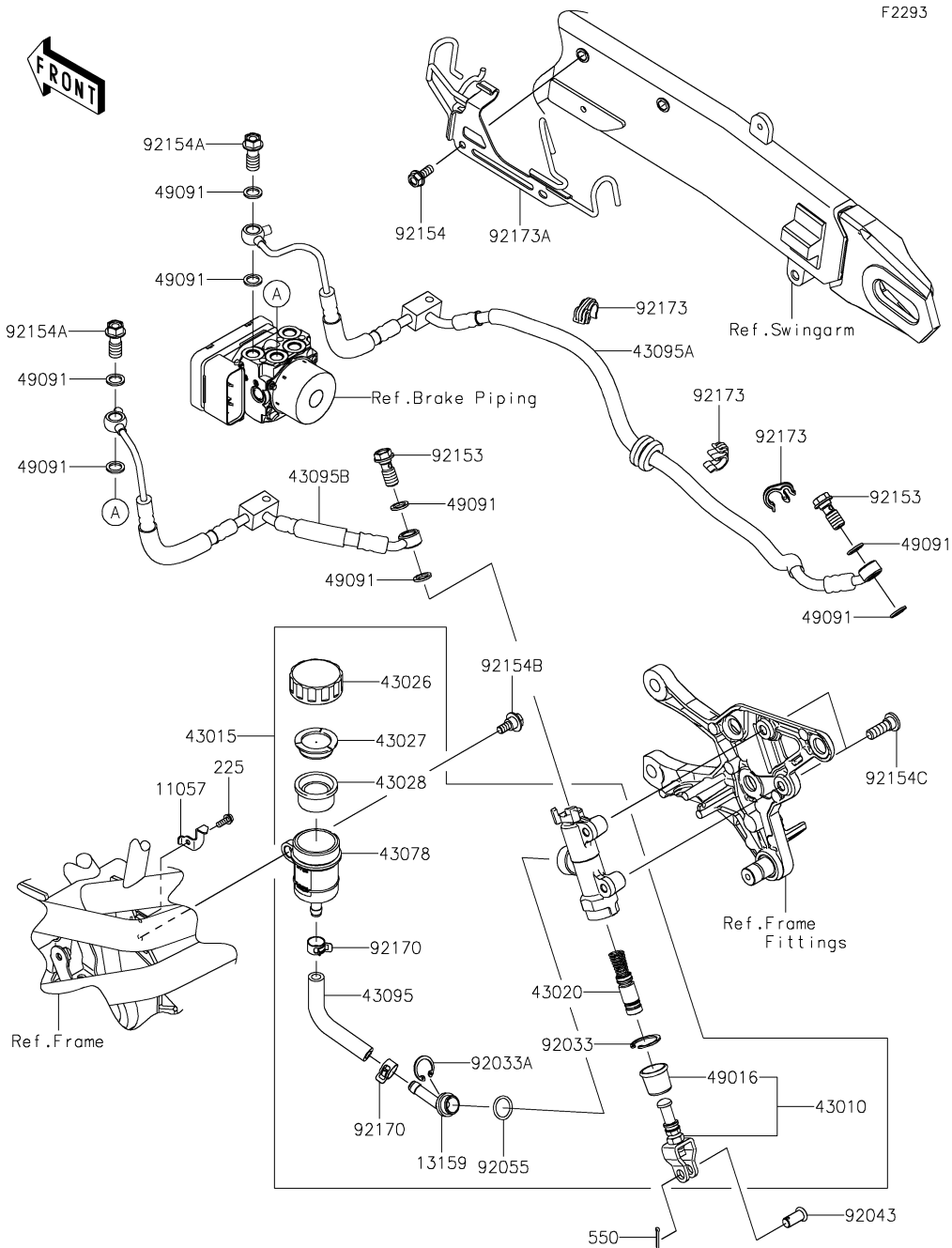


## 43. Front Brake

Ref. No.	Part No.	Description	Spec Code	Quantity		
				'22 FNSNN	'22 FNSBN	'22 FNSCN
41080	41080-0710-111	DISC,FR,BLACK+SIL		2	2	2
43045	43045-1053	SHAFT-CALIPER		2	2	2
43048	43048-0001	PISTON-CALIPER		4	4	4
43048A	43048-0021	PISTON-CALIPER		4	4	4
43049	43049-0006	PACKING		4	4	4
43049A	43049-0007	PACKING		4	4	4
43049B	43049-0030	PACKING		4	4	4
43049C	43049-0031	PACKING		4	4	4
43056	43056-1055	BREATHER		2	2	2
43057	43057-1001	CAP-BREATHER		2	2	2
43058	43058-1100	RING,STOPPER		2	2	2
43080	43080-0130-DJ	CALIPER-SUB-ASSY,FR,LH,BLACK		1	1	1
43080A	43080-0131-DJ	CALIPER-SUB-ASSY,FR,RH,BLACK		1	1	1
43082	43082-0195	PAD-ASSY-BRAKE		2	2	2
92049	92049-1448	SEAL-OIL		2	2	2
92145	92145-0184	SPRING,PAD		2	2	2
92153	92153-1089	BOLT,FLANGED,8X30		4	4	4
92153A	92153-1093	BOLT,TORX,8X38		4	4	4
92153B	92153-1094	BOLT,TORX,8X45		4	4	4
92154	92154-0844	BOLT,SOCKET,8X30		10	10	10



# '22 ZR900 FNSNN/FNSBN/FNSCN

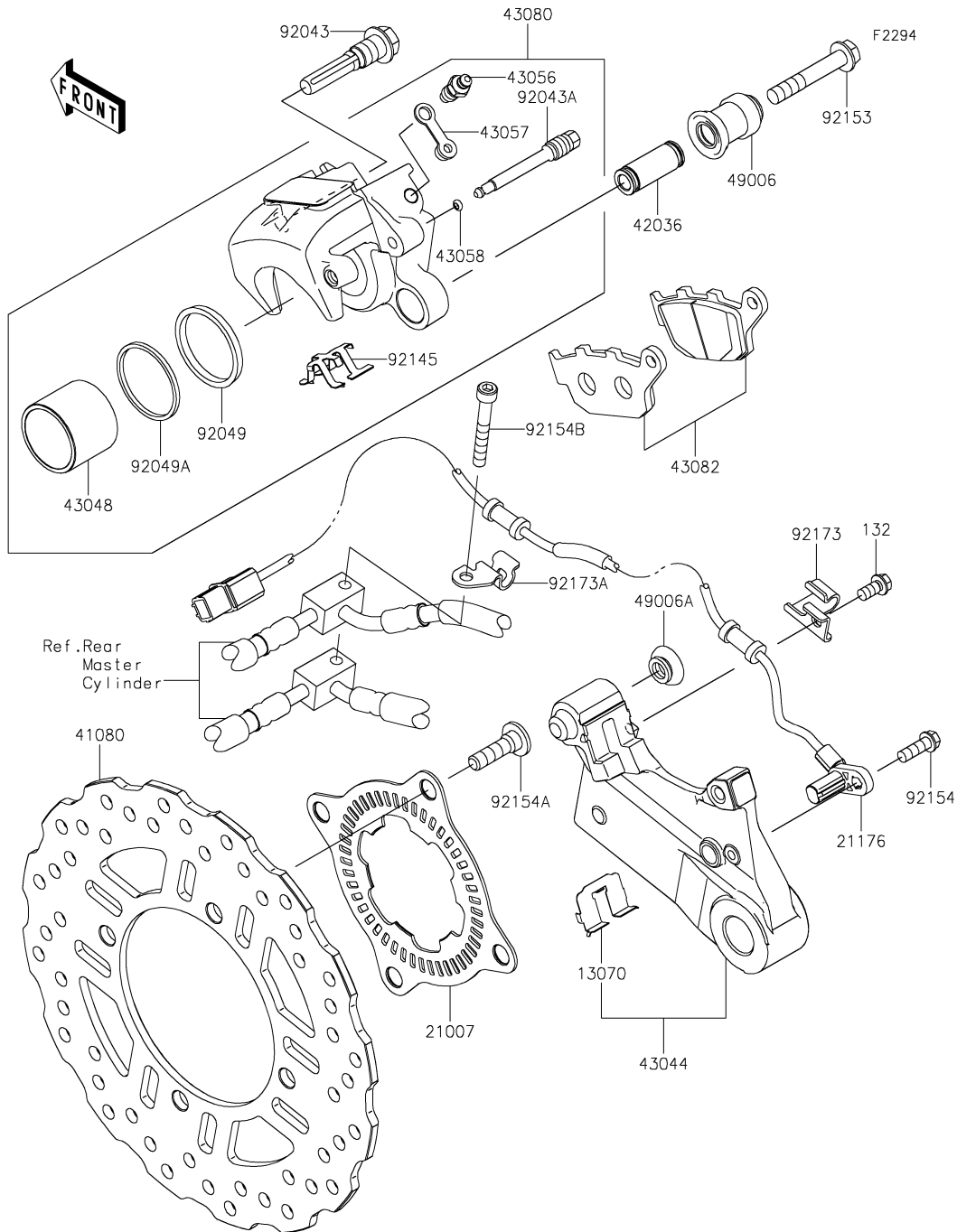


F2293

## 44. Rear Master Cylinder

Ref. No.	Part No.	Description	Spec Code	Quantity				
				'22	'22	'22		
				FNSNN	FNSBN	FNSCN		
11057	11057-0258	BRACKET		1	1	1		
13159	13159-0008	CONNECTOR		1	1	1		
43010	43010-0020	ROD-ASSY-BRAKE		1	1	1		
43015	43015-0650	CYLINDER-ASSY-MASTER,RR		1	1	1		
43020	43020-1094	PISTON-COMP-BRAKE		1	1	1		
43026	43026-0009	CAP-BRAKE		1	1	1		
43027	43027-1053	PLATE-DIAPHRAGM		1	1	1		
43028	43028-1065	DIAPHRAGM		1	1	1		
43078	43078-0060	RESERVOIR		1	1	1		
43095	43095-1432	HOSE-BRAKE,RR M/CYL.		1	1	1		
43095A	43095-1685	HOSE-BRAKE,RR CALIPER-ABS UNIT		1	1	1		
43095B	43095-1686	HOSE-BRAKE,RR M/C-ABS UNIT		1	1	1		
49016	49016-1103	COVER-SEAL,BRAKE PISTON		1	1	1		
49091	49091-0001	WASHER-SEAL,10.1X14.5X1.5		8	8	8		
92033	92033-0079	RING-SNAP,20.9X24.6X1.2		1	1	1		
92033A	92033-1186	RING-SNAP,20.5MM		1	1	1		
92043	92043-0904	PIN		1	1	1		
92055	92055-0741	RING-O,14.8X2.4		1	1	1		
92153	92153-0627	BOLT,OIL,L=23		2	2	2		
92154	92154-1055	BOLT,FLANGED,6X16		2	2	2		
92154A	92154-1138	BOLT,BANJO,10X22		2	2	2		
92154B	92154-2685	BOLT,FLANGED,6X16		1	1	1		
92154C	92154-4299	BOLT,SOCKET,8X25		2	2	2		
92170	92170-1091	CLAMP,HOSE		2	2	2		
92173	92173-1613	CLAMP,HOSE&SENSOR LINE		3	3	3		
92173A	92173-2115	CLAMP,HOSE&SENSOR LINE		1	1	1		
225	225AB0412	SCREW-PAN-WSP-CROS,4X12		1	1	1		
550	550AA2015	PIN-COTTER,2.0X15		1	1	1		

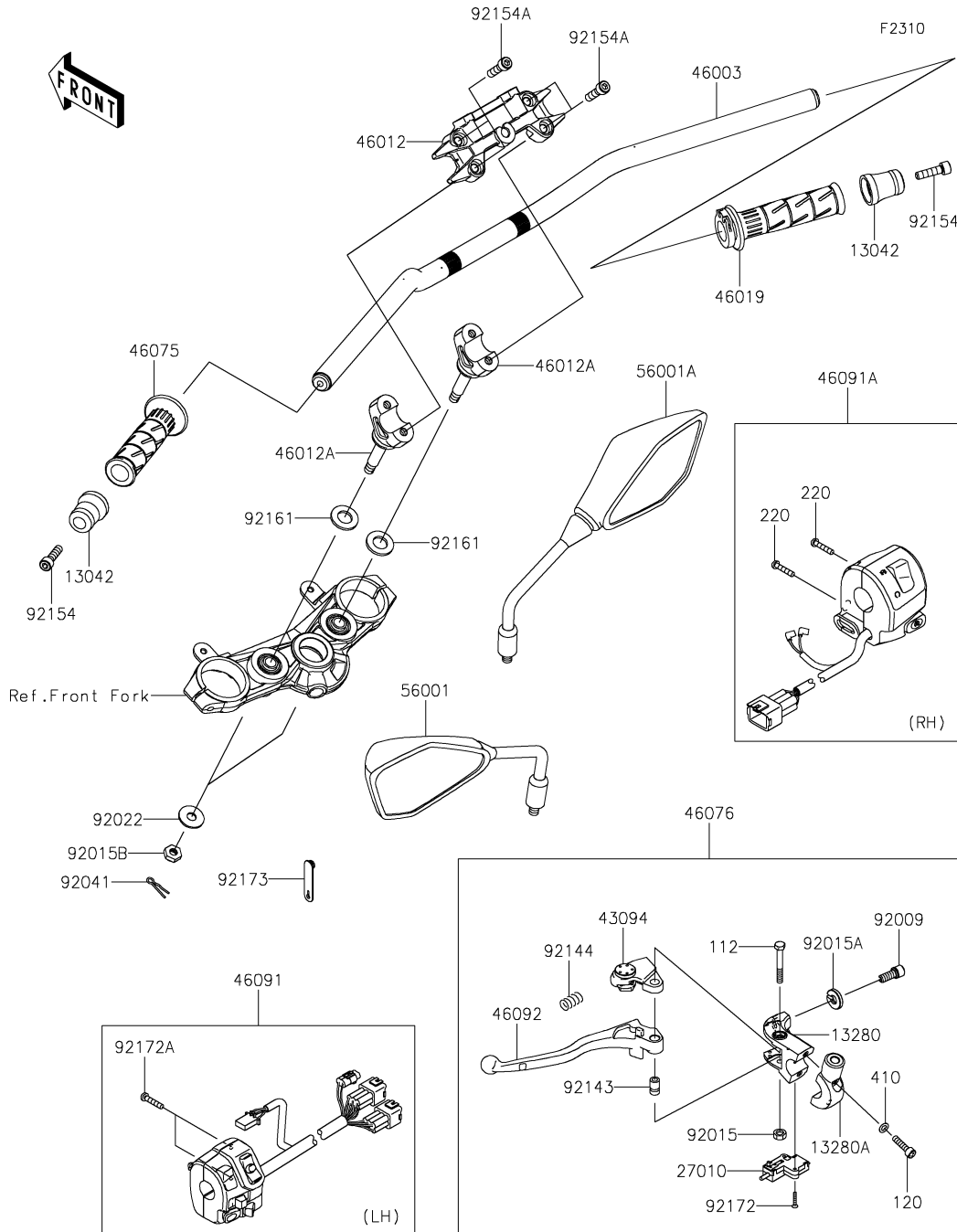
# '22 ZR900 FNSNN/FNSBN/FNSCN



## 45. Rear Brake

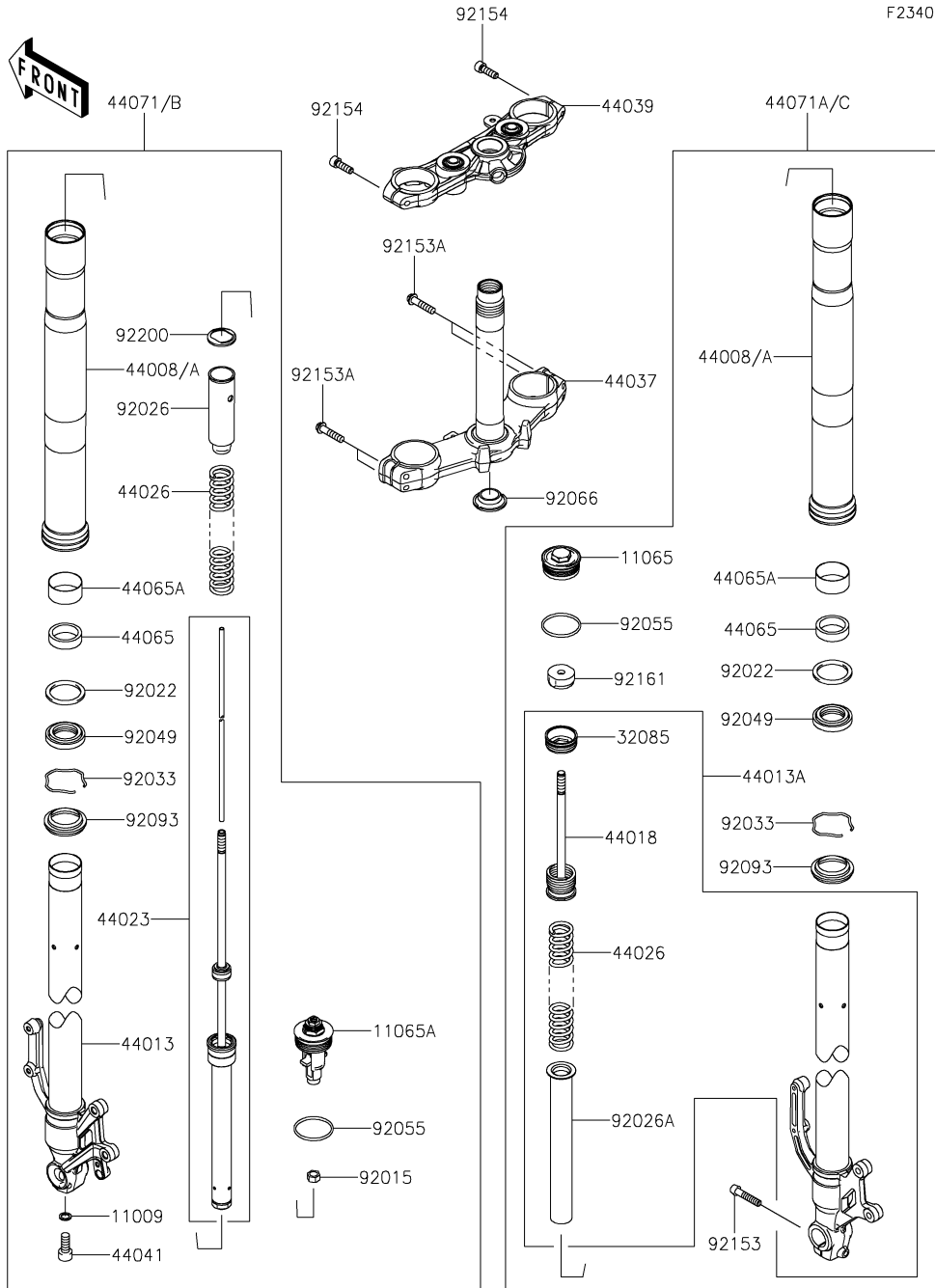
Ref. No.	Part No.	Description	Spec Code	Quantity				
				'22	'22	'22		
				FNSNN	FNSBN	FNSCN		
13070	13070-0795	GUIDE,BRACKET RETAINER	1	1	1			
21007	21007-0645	ROTOR,SENSOR,RR	1	1	1			
21176	21176-0912	SENSOR,SPEED,RR	1	1	1			
41080	41080-0668	DISC,RR	1	1	1			
42036	42036-0050	SLEEVE	1	1	1			
43044	43044-0082	HOLDER-COMP-CALIPER	1	1	1			
43048	43048-0008	PISTON-CALIPER	1	1	1			
43056	43056-1055	BREATHER	1	1	1			
43057	43057-1001	CAP-BREATHER	1	1	1			
43058	43058-1100	RING,STOPPER	1	1	1			
43080	43080-0156-DJ	CALIPER-SUB-ASSY,RR,BLACK	1	1	1			
43082	43082-0151	PAD-ASSY-BRAKE	1	1	1			
49006	49006-0058	BOOT	1	1	1			
49006A	49006-1242	BOOT,CALIPER	1	1	1			
92043	92043-0137	PIN	1	1	1			
92043A	92043-0820	PIN,HANGER	1	1	1			
92049	92049-1449	SEAL-OIL	1	1	1			
92049A	92049-1450	SEAL-OIL	1	1	1			
92145	92145-0493	SPRING,PAD	1	1	1			
92153	92153-1826	BOLT,FLANGED	1	1	1			
92154	92154-0784	BOLT,FLANGED,6X18	1	1	1			
92154A	92154-0844	BOLT,SOCKET,8X30	4	4	4			
92154B	92154-4311	BOLT-SOCKET,6X45	1	1	1			
92173	92173-1637	CLAMP,CALIPER HOLDER	1	1	1			
92173A	92173-2107	CLAMP	1	1	1			
132	132BA0612	BOLT-FLANGED-SMALL,6X12	1	1	1			

# '22 ZR900 FNSNN/FNSBN/FNSCN



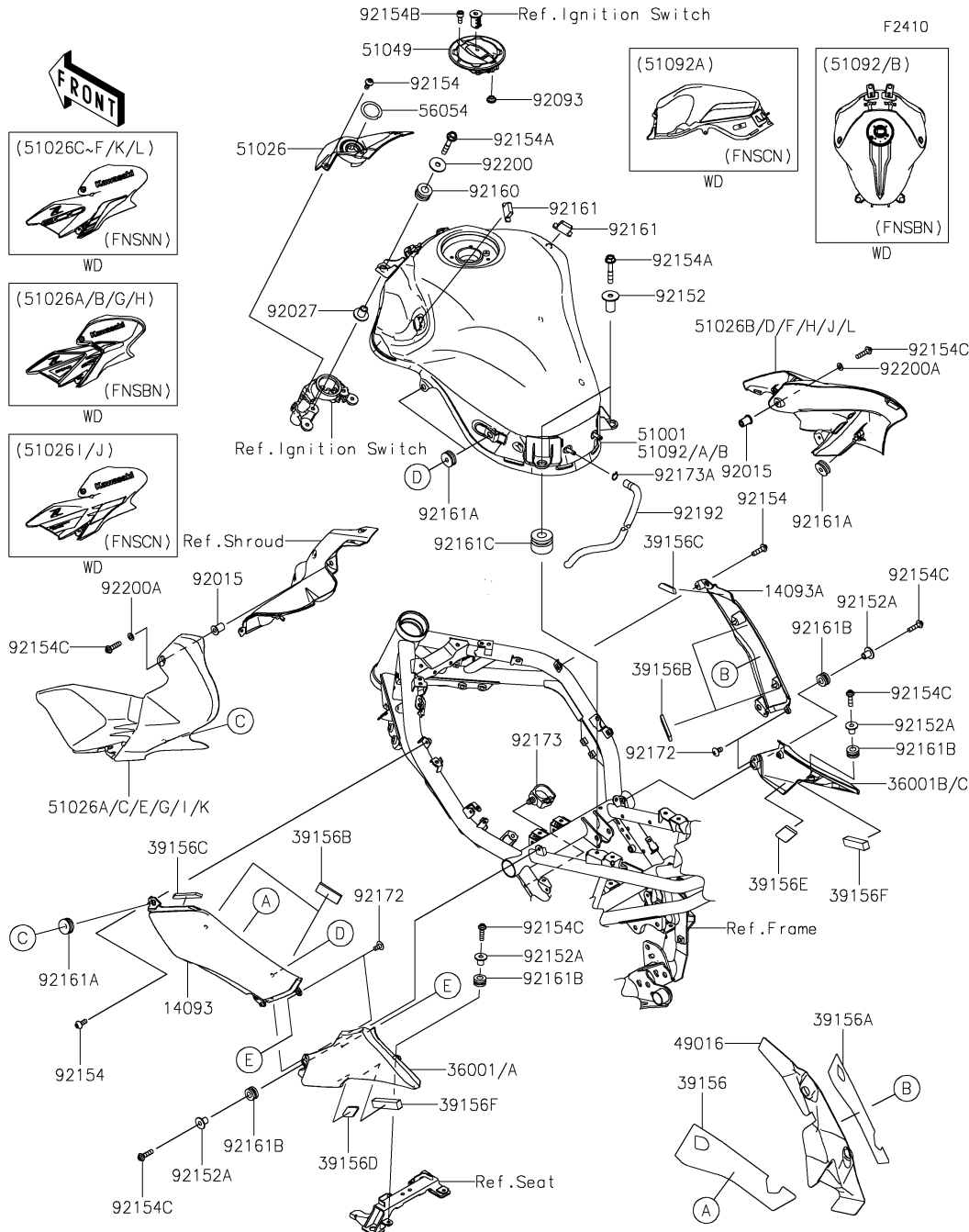
## 46. Handlebar

Ref. No.	Part No.	Description	Spec Code	Quantity			
				'22	'22	'22	
				FNSNN	FNSBN	FNSCN	
13042	13042-5024	WEIGHT,HANDLE	2	2	2		
13280	13280-0306	HOLDER,CLUTCH LEVER	1	1	1		
13280A	13280-0307	HOLDER,CLUTCH LEVER	1	1	1		
27010	27010-0849	SWITCH,CLUTCH	1	1	1		
43094	43094-0009	ADJUSTER	1	1	1		
46003	46003-0752-18R	HANDLE,F.S.BLACK	1	1	1		
46012	46012-0396-18R	HOLDER-HANDLE,UPP,F.S.BLACK	1	1	1		
46012A	46012-0411-18R	HOLDER-HANDLE,LWR,F.S.BLACK	2	2	2		
46019	46019-0060	GRIP-ASSY,THROTTLE	1	1	1		
46075	46075-0564	GRIP,HANDLE,LH	1	1	1		
46076	46076-0122	LEVER-ASSY-GRIP,CLUTCH	1	1	1		
46091	46091-0492	HOUSING-ASSY-CONTROL,LH	1	1	1		
46091A	46091-0500	HOUSING-ASSY-CONTROL,RH	1	1	1		
46092	46092-0569	LEVER-GRIP,CLUTCH	1	1	1		
56001	56001-0299	MIRROR-ASSY,LH	1	1	1		
56001A	56001-0300	MIRROR-ASSY,RH	1	1	1		
92009	92009-1134	SCREW,CABLE ADJUST,8MM,BLACK	1	1	1		
92015	92015-1191	NUT,LOCK,6MM,BLACK	1	1	1		
92015A	92015-1197	NUT,CABLE ADJUST LOCK,8MM,BLK	1	1	1		
92015B	92015-1962	NUT,LOCK,10MM	2	2	2		
92022	92022-1088	WASHER,10.2X28X2	2	2	2		
92041	92041-1060	COTTER,8MM	2	2	2		
92143	92143-1379	COLLAR	1	1	1		
92144	92144-1467	SPRING	1	1	1		
92154	92154-0440	BOLT,SOCKET,8X30	2	2	2		
92154A	92154-2683	BOLT,SOCKET,8X30	4	4	4		
92161	92161-0037	DAMPER	2	2	2		
92172	92172-0183	SCREW,3X16	2	2	2		
92172A	92172-1140	SCREW-PAN-CROS,5X25	2	2	2		
92173	92173-2198	CLAMP	1	1	1		
112	112BB0645	BOLT-UPSET,6X45	1	1	1		
120	120CB0625	BOLT-SOCKET,6X25	2	2	2		
220	220AB0525	SCREW-PAN-CROS,5X25	2	2	2		
410	410AB0600	WASHER-PLAIN-SMALL,6MM	2	2	2		



Ref. No.	Part No.	Description	Spec Code	Quantity		
				'22	'22	'22
				FNSNN	FNSBN	FNSCN
11009	11009-1325	GASKET,10.5X15X1.5	1	1	1	
11065	11065-0973-11G	CAP,COMP.,RH,GRAY	1	1	1	
11065A	11065-1366-58Z	CAP,COMP.,LH,BLACK	1	1	1	
32085	32085-0742	STOPPER	1	1	1	
44008	44008-0100-499	PIPE-FORK OUTER,BLACK	2	2		
44008A	44008-0101	PIPE-FORK OUTER			2	
44013	44013-0292	PIPE-FORK INNER,LH	1	1	1	
44013A	44013-0371	PIPE-FORK INNER,RH	1	1	1	
44018	44018-0003	PISTON-FORK	1	1	1	
44023	44023-0171	CYLINDER-SET-FORK,LH	1	1	1	
44026	44026-0261	SPRING-FRONT FORK	2	2	2	
44037	44037-0167-18R	HOLDER-FORK UNDER,F.S.BLACK	1	1	1	
44039	44039-0167-18R	HOLDER-FORK UPPER,F.S.BLACK	1	1	1	
44041	44041-040	BOLT,SOCKET,FORK CYLINDER	1	1	1	
44065	44065-0042	BUSHING-FRONT FORK	2	2	2	
44065A	44065-1114	BUSHING-FRONT FORK,INNER PIPE	2	2	2	
44071	44071-1433-58Z	DAMPER-ASSY,LH,BLACK	1	1		
44071A	44071-1434-58Z	DAMPER-ASSY,RH,BLACK	1	1		
44071B	44071-1494	DAMPER-ASSY,FORK,LH			1	
44071C	44071-1495	DAMPER-ASSY,FORK,RH			1	
92015	92015-1795	NUT	1	1	1	
92022	92022-1298	WASHER,FORK OUTER TUBE	2	2	2	
92026	92026-0045	SPACER,FORK	1	1	1	
92026A	92026-0896	SPACER	1	1	1	
92033	92033-1036	RING-SNAP	2	2	2	
92049	92049-0073	SEAL-OIL	2	2	2	
92055	92055-0145	RING-O	2	2	2	
92066	92066-0032	PLUG	1	1	1	
92093	92093-1472	SEAL,FORK OUTER TUBE	2	2	2	
92153	92153-0506	BOLT,SOCKET,8X40	1	1	1	
92153A	92153-0649	BOLT,FLANGED,8X35	4	4	4	
92154	92154-4300	BOLT,SOCKET,8X25	2	2	2	
92161	92161-1490	DAMPER,RUBBER CUSHION	1	1	1	
92200	92200-0085	WASHER	1	1	1	

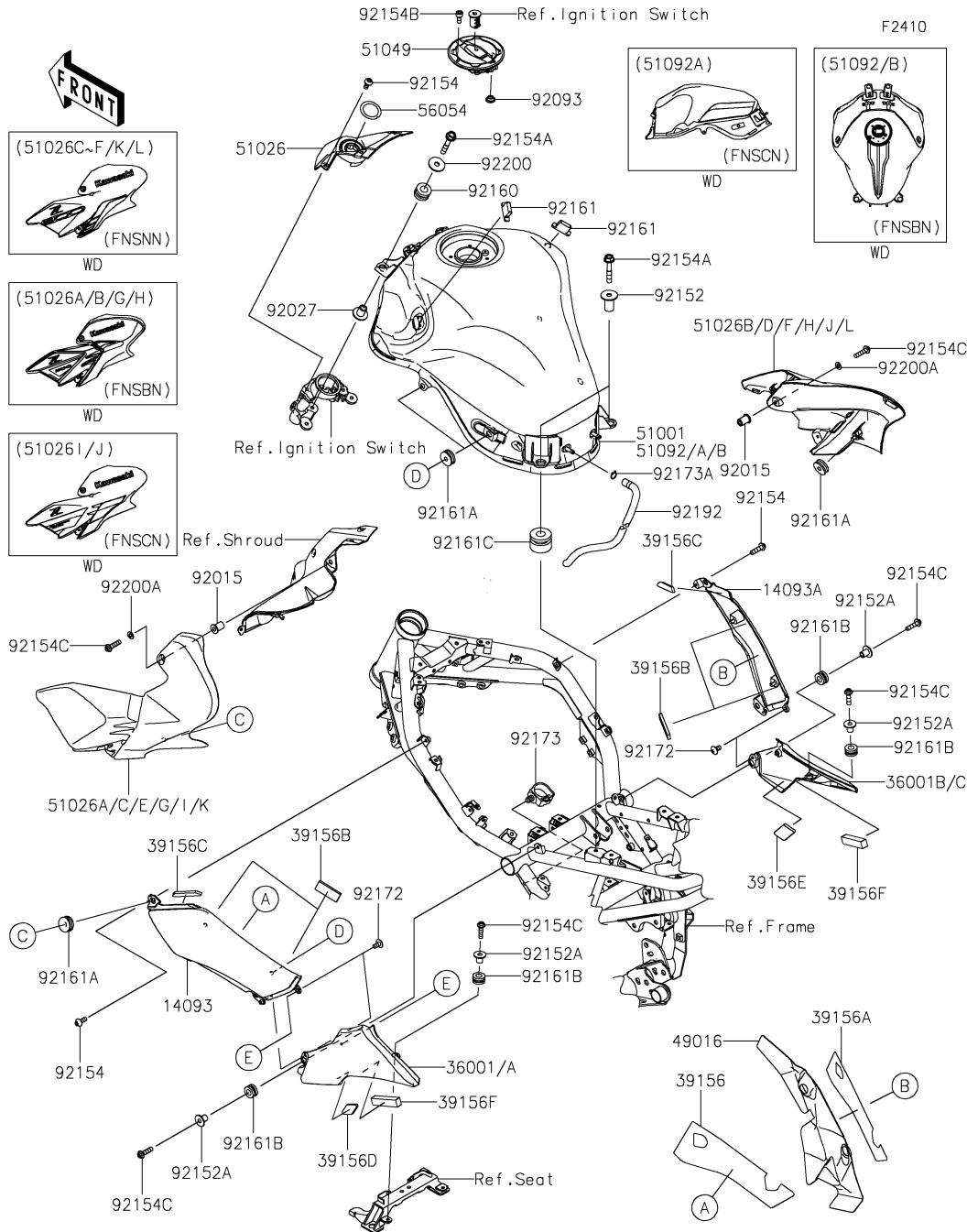
# '22 ZR900 FNSNN/FNSBN/FNSCN



# 48. Fuel Tank

Ref. No.	Part No.	Description	Spec Code	Quantity			
				'22	'22	'22	
				FNSNN	FNSBN	FNSCN	
14093	14093-0667	COVER,KNEE GRIP,LH	1	1	1		
14093A	14093-0668	COVER,KNEE GRIP,RH	1	1	1		
36001	36001-0685-660	COVER-SIDE,SEAT,LH,M.S.BLACK	1	1			
36001A	36001-0685-H8	COVER-SIDE,SEAT,LH,EBONY			1		
36001B	36001-0686-660	COVER-SIDE,SEAT,RH,M.S.BLACK	1	1			
36001C	36001-0686-H8	COVER-SIDE,SEAT,RH,EBONY				1	
39156	39156-2147	PAD,KNEE GRIP COVER,LH	1	1	1		
39156A	39156-2148	PAD,KNEE GRIP COVER,RH	1	1	1		
39156B	39156-2191	PAD,20X50X5	4	4	4		
39156C	39156-2192	PAD,10X76X5	2	2	2		
39156D	39156-2194	PAD,20X20X5	1	1	1		
39156E	39156-2195	PAD,25X50X5	1	1	1		
39156F	39156-2215	PAD,15X66X10	2	2	2		
49016	49016-0683	COVER-SEAL	1	1	1		
51001	51001-0895-660	TANK-COMP-FUEL,M.S.BLACK	1				
51026	51026-0013	COVER TANK,CNT	1	1	1		
51026A	51026-5175-68N	COVER TANK,LH,P.R.WHITE		1			
51026B	51026-5176-68N	COVER TANK,RH,P.R.WHITE		1			
51026C	51026-5179-739	COVER TANK,LH,M.F.S.BLACK	1				
51026D	51026-5180-739	COVER TANK,RH,M.F.S.BLACK	1				
51026E	51026-5181-68M	COVER TANK,LH,M.M.T.BLUE	1				
51026F	51026-5182-68M	COVER TANK,RH,M.M.T.BLUE	1				
51026G	51026-5183-660	COVER TANK,LH,M.S.BLACK			1		
51026H	51026-5184-660	COVER TANK,RH,M.S.BLACK			1		
51026I	51026-5191-B1	COVER TANK,LH,F.RED				1	
51026J	51026-5192-B1	COVER TANK,RH,F.RED				1	
51026K	51026-5197-68N	COVER TANK,LH,P.R.WHITE	1				
51026L	51026-5198-68N	COVER TANK,RH,P.R.WHITE	1				
51049	51049-0735	CAP-TANK	1	1	1		
51092	51092-5171-51P	TANK-COMP-FUEL,C.L.GREEN		1			
51092A	51092-5233-B1	TANK-COMP-FUEL,F.RED				1	
51092B	51092-5312-68P	TANK-COMP-FUEL,M.M.G.GRAY		1			
56054	56054-2582	MARK,I.G. SWITCH	1	1	1		
92015	92015-1757	NUT,WELL,5MM	2	2	2		
92027	92027-1183	COLLAR,6.5X10X14.1	2	2	2		
92093	92093-1030	SEAL,FUEL TANK CAP	1	1	1		
92152	92152-2252	COLLAR,6.3X12X22.6	2	2	2		
92152A	92152-2342	COLLAR,5.6X8X11.2	4	4	4		
92154	92154-4289	BOLT,SOCKET,5X12	4	4	4		
92154A	92154-4290	BOLT-FLANGED,6X35	4	4	4		

# '22 ZR900 FNSNN/FNSBN/FNSCN

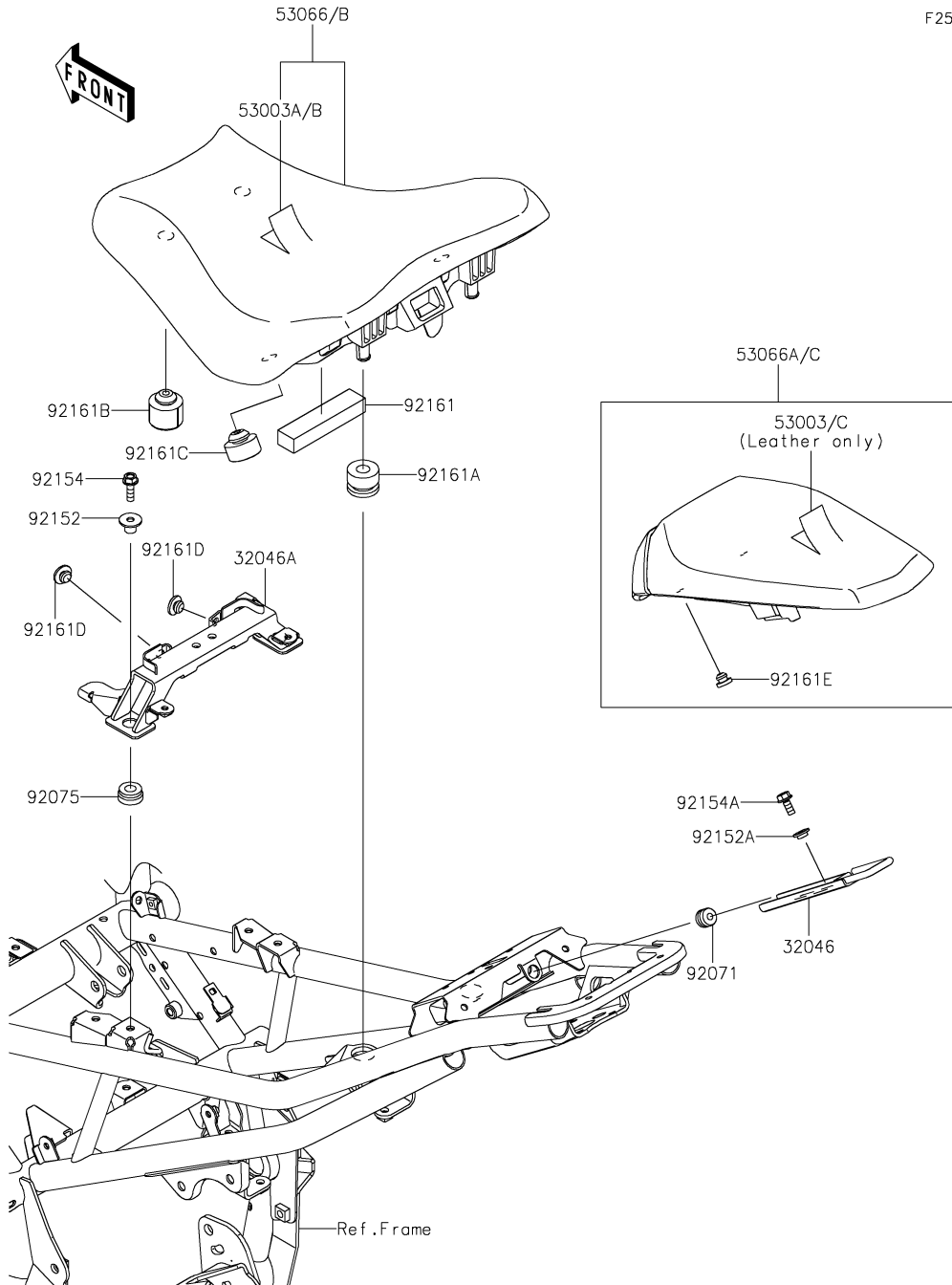


# 48-1. Fuel Tank

Ref. No.	Part No.	Description	Spec Code	Quantity		
				'22 FNSNN	'22 FNSBN	'22 FNSCN
92154B	92154-4291	BOLT-SOCKET,5X12	4	4	4	
92154C	92154-4301	BOLT, SOCKET,5X20	6	6	6	
92160	92160-1167	DAMPER,10X20X12	2	2	2	
92161	92161-0365	DAMPER	2	2	2	
92161A	92161-0588	DAMPER	6	6	6	
92161B	92161-0685	DAMPER,8X16X8.6	4	4	4	
92161C	92161-1468	DAMPER,12X28X21	2	2	2	
92172	92172-0864	SCREW,5X10	4	4	4	
92173	92173-0861	CLAMP	1	1	1	
92173A	92173-2442	CLAMP,TUBE	1	1	1	
92192	92192-1688	TUBE,6X9X670/30	1	1	1	
92200	92200-1087	WASHER,6.5X22X1.6	2	2	2	
92200A	92200-2286	WASHER,5.2X10X1	2	2	2	

# '22 ZR900 FNSNN/FNSBN/FNSCN

F2510

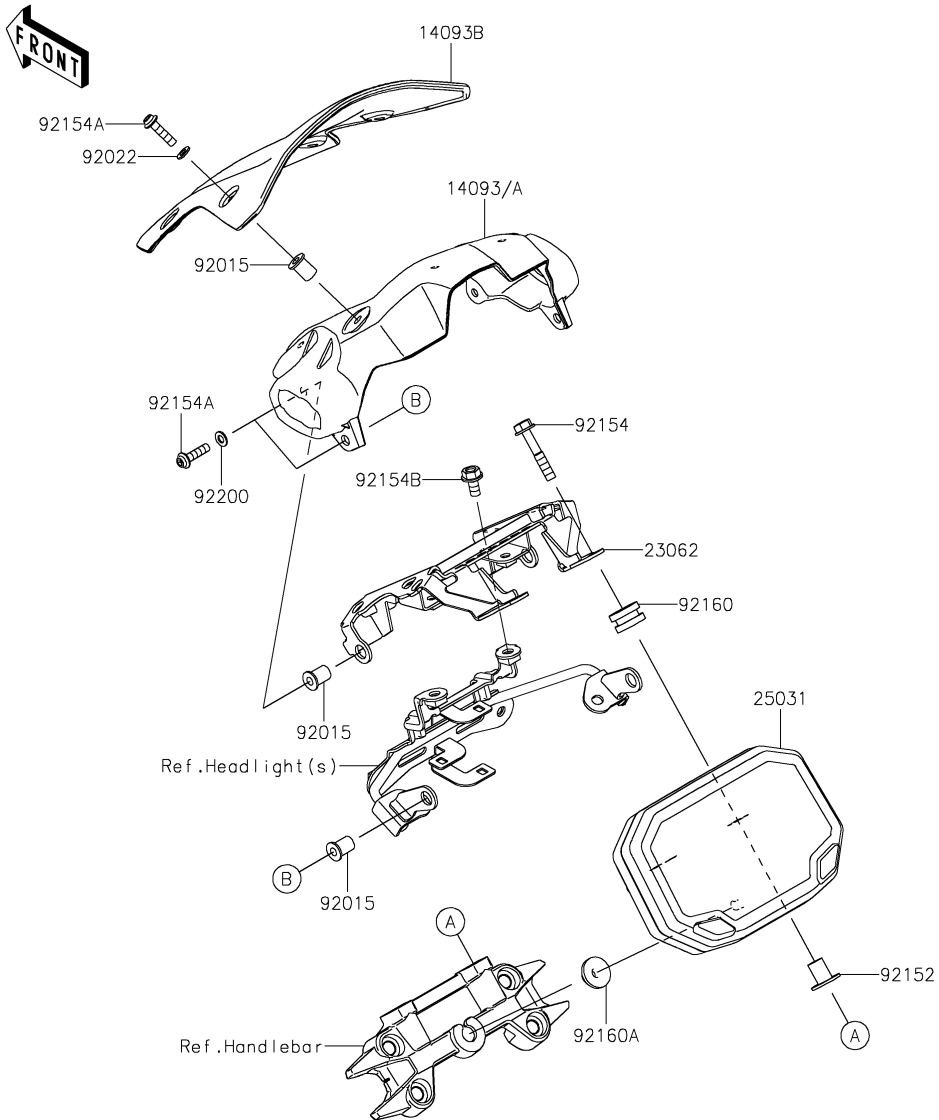


## 49. Seat

Ref. No.	Part No.	Description	Spec Code	Quantity		
				'22	'22	'22
				FNSNN	FNSBN	FNSCN
32046	32046-0401	BRACKET-SEAT,FR LOCK	1	1	1	
32046A	32046-0450	BRACKET-SEAT,FR	1	1	1	
53003	53003-0433-MA	LEATHER,RR SEAT,BLACK	1	1		
53003A	53003-0495-MA	LEATHER,FR SEAT,BLACK	1	1		
53003B	53003-0638-MA	LEATHER,FR SEAT,BLACK			1	
53003C	53003-0640-MA	LEATHER,RR SEAT,BLACK			1	
53066	53066-0655-MA	SEAT-ASSY,FR,BLACK	1	1		
53066A	53066-0668-12Y	SEAT-ASSY,RR,BLACK+BLK	1	1		
53066B	53066-0831-MA	SEAT-ASSY,FR,BLACK			1	
53066C	53066-0835-12Y	SEAT-ASSY,BLACK+BLK			1	
92071	92071-0038	GROMMET	1	1	1	
92075	92075-277	DAMPER	2	2	2	
92152	92152-2616	COLLAR	2	2	2	
92152A	92152-2694	COLLAR,L=4.6	1	1	1	
92154	92154-0776	BOLT,FLANGED,6X20	2	2	2	
92154A	92154-4292	BOLT-FLANGED,6X14	1	1	1	
92161	92161-1867	DAMPER,20X90X15	1	1	1	
92161A	92161-1913	DAMPER,12X28X21	2	2	2	
92161B	92161-1969	DAMPER,14X30X22	2	2	2	
92161C	92161-1970	DAMPER,14X30X14.5	2	2	2	
92161D	92161-2250	DAMPER	2	2	2	
92161E	92161-2308	DAMPER	2	2	2	

# '22 ZR900 FNSNN/FNSBN/FNSCN

F2530



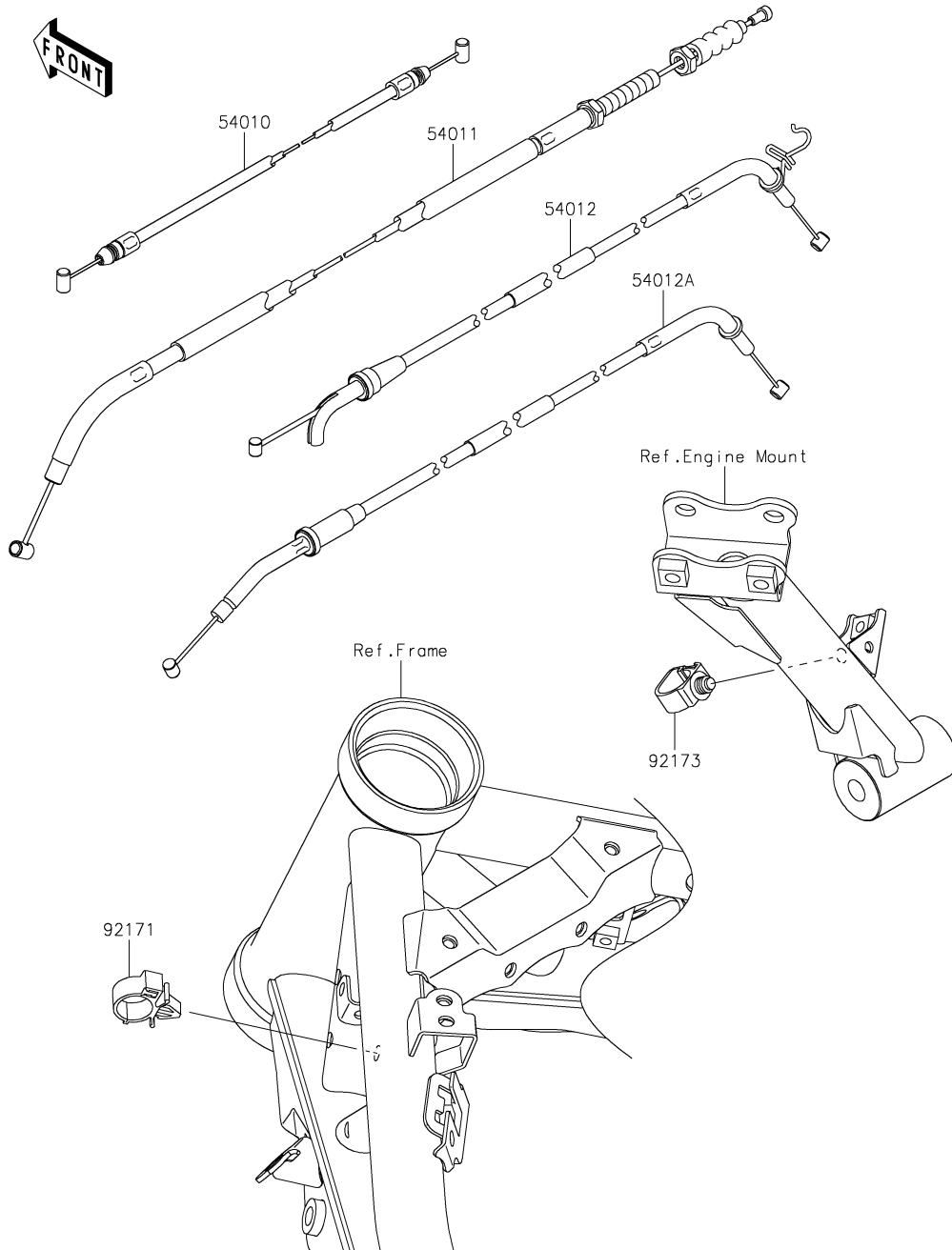
## 50. Meter(s)

Ref. No.	Part No.	Description	Spec Code	Quantity			
				'22	'22	'22	
				FNSNN	FNSBN	FNSCN	
14093	14093-0928-660	COVER,SIGNAL LAMP,M.S.BLACK	1	1			
14093A	14093-0928-H8	COVER,SIGNAL LAMP,EBONY				1	
14093B	14093-0929	COVER,METER	1	1	1		
23062	23062-1238	BRACKET-COMP,METER COVER	1	1	1		
25031	25031-0957	METER-ASSY,TFT DISPLAY	1	1	1		
92015	92015-1757	NUT,WELL,5MM	8	8	8		
92022	92022-1977	WASHER,5.1X10X1.0	4	4	4		
92152	92152-0604	COLLAR	2	2	2		
92154	92154-4191	BOLT,FLANGED,6X35	2	2	2		
92154A	92154-4301	BOLT,SOCKET,5X20	8	8	8		
92154B	92154-4305	BOLT-FLANGED,6X12	2	2	2		
92160	92160-1167	DAMPER,10X20X12	2	2	2		
92160A	92160-1613	DAMPER	1	1	1		
92200	92200-2286	WASHER,5.2X10X1	4	4	4		



# '22 ZR900 FNSNN/FNSBN/FNSCN

F2540

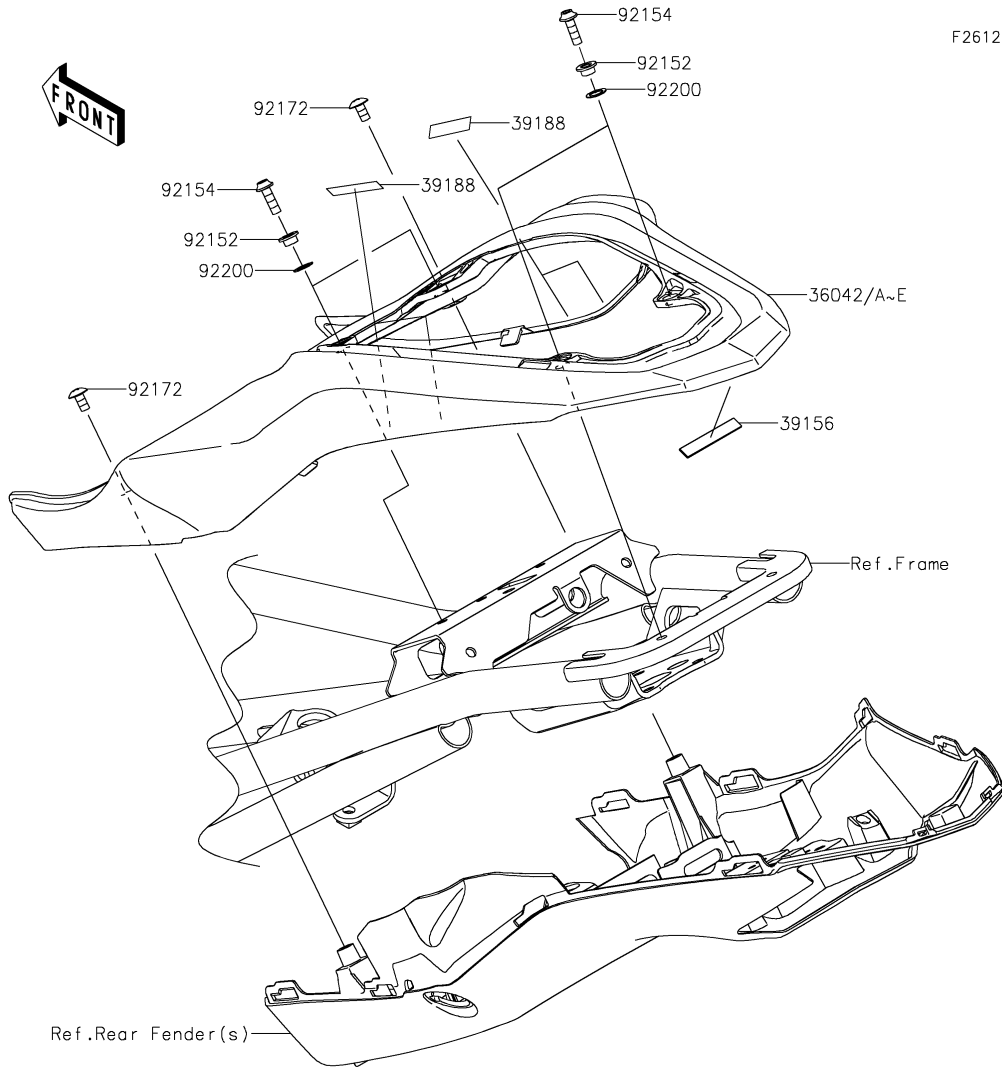


## 51. Cables

Ref. No.	Part No.	Description	Spec Code	Quantity				
				'22	'22	'22		
				FNSNN	FNSBN	FNSCN		
54010	54010-0614	CABLE,SEAT LOCK	1	1	1			
54011	54011-0644	CABLE-CLUTCH	1	1	1			
54012	54012-0646	CABLE-THROTTLE	1	1	1			
54012A	54012-0647	CABLE-THROTTLE	1	1	1			
92171	92171-0782	CLAMP	1	1	1			
92173	92173-0868	CLAMP,HOLDER CLIP	1	1	1			

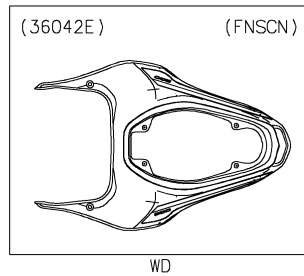
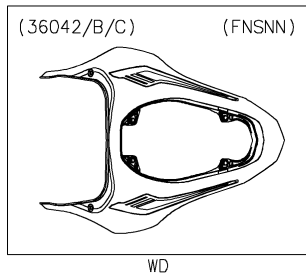
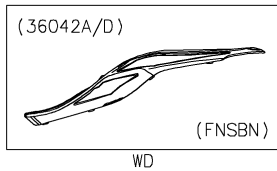
# '22 ZR900 FNSNN/FNSBN/FNSCN

F2612

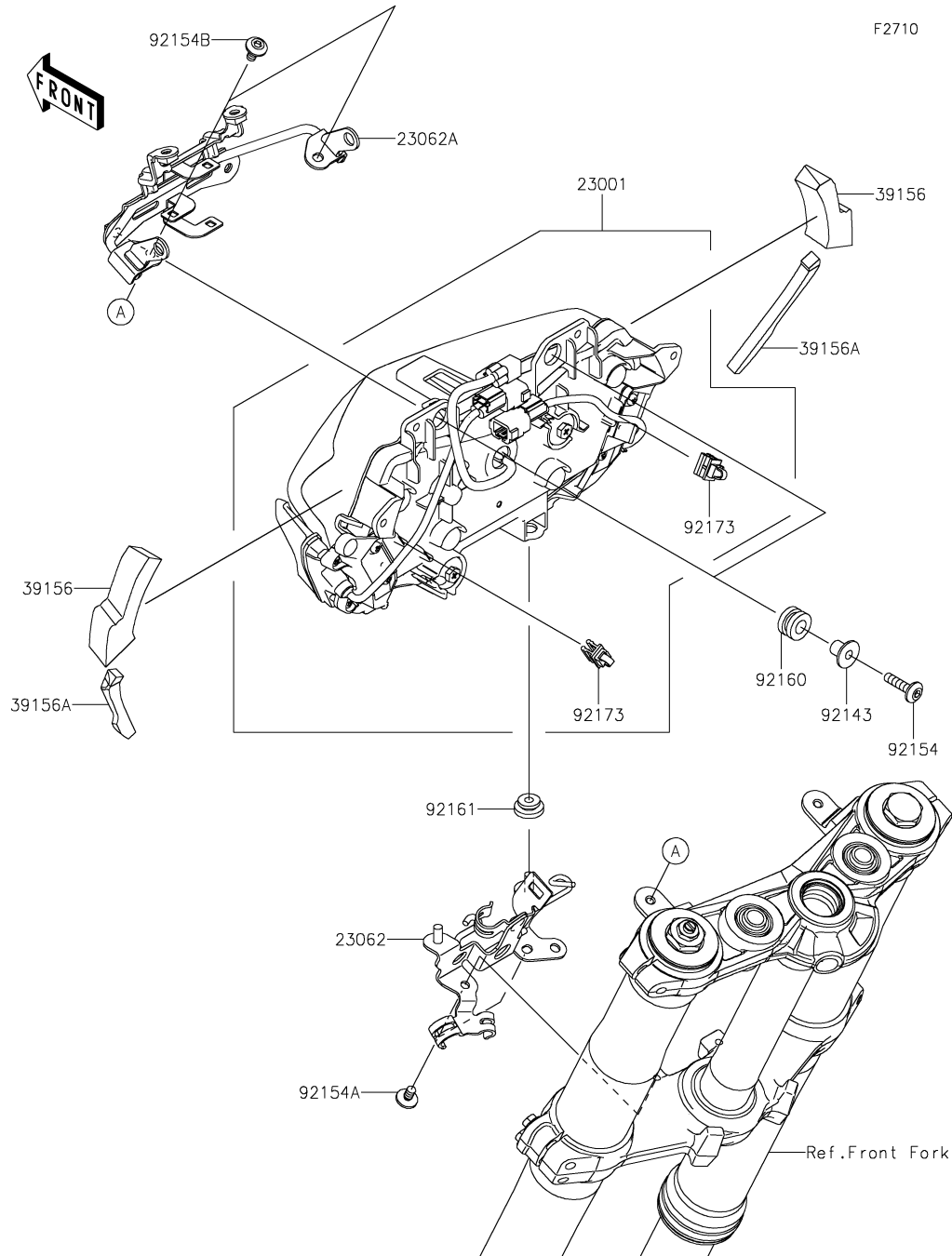


## 52. Seat Cover

Ref. No.	Part No.	Description	Spec Code	Quantity			
				'22	'22	'22	
				FNSNN	FNSBN	FNSCN	
36042	36042-5307-660	COVER-TAIL,M.S.BLACK		1			
36042A	36042-5308-68N	COVER-TAIL,P.R.WHITE			1		
36042B	36042-5341-660	COVER-TAIL,M.S.BLACK		1			
36042C	36042-5343-660	COVER-TAIL,M.S.BLACK		1			
36042D	36042-5346-660	COVER-TAIL,M.S.BLACK			1		
36042E	36042-5367-B1	COVER-TAIL,F.RED				1	
39156	39156-2181	PAD,7X44X1	1	1	1		
39188	39188-0564	TAPE,8X35	4	4	4		
92152	92152-2339	COLLAR,5.6X8X5	4	4	4		
92154	92154-4294	BOLT,SOCKET,5X16	4	4	4		
92172	92172-1194	SCREW,5X10	2	2	2		
92200	92200-1887	WASHER,8.2X12X0.5	4	4	4		



# '22 ZR900 FNSNN/FNSBN/FNSCN

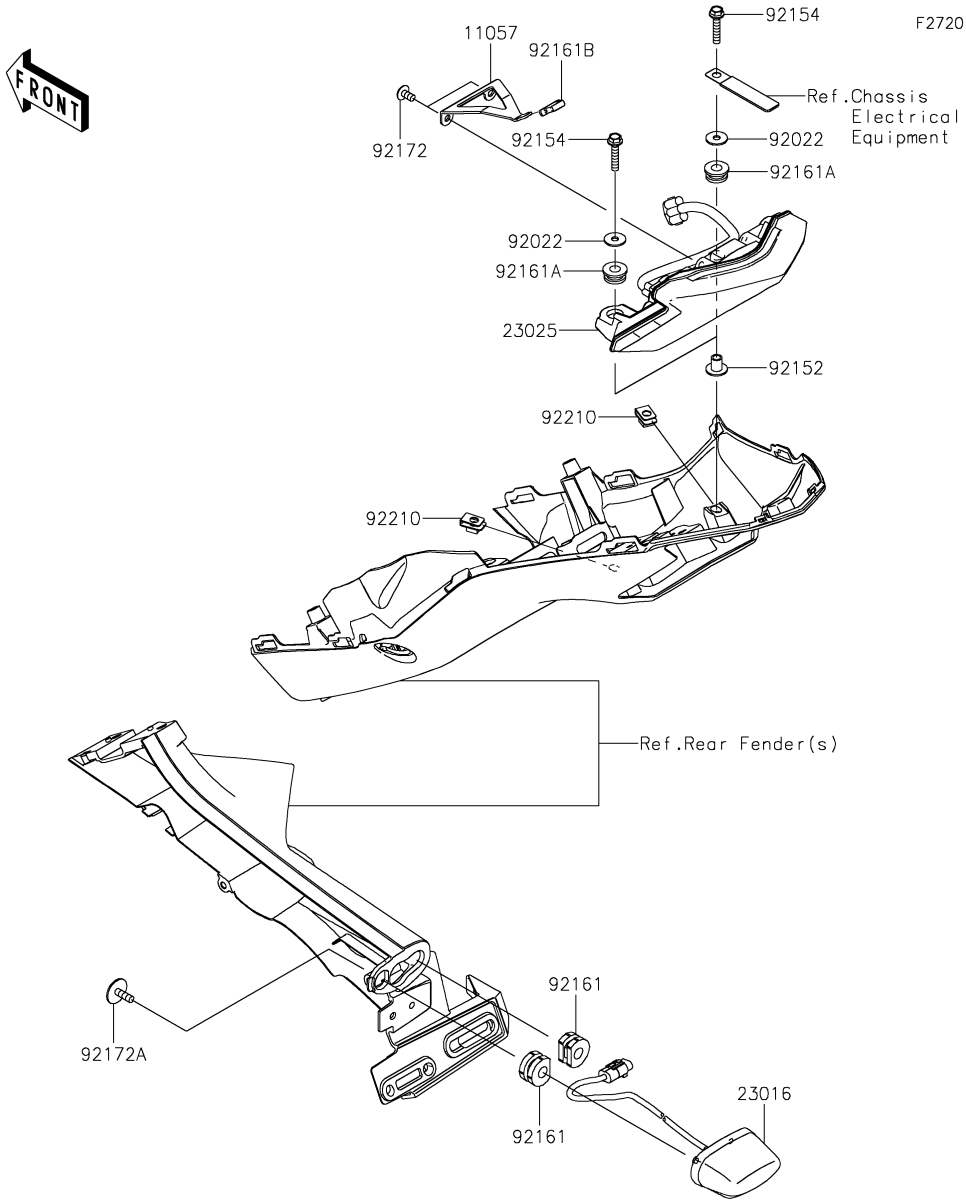


## 53. Headlight(s)

Ref. No.	Part No.	Description	Spec Code	Quantity		
				'22	'22	'22
				FNSNN	FNSBN	FNSCN
23001	23001-0048	LAMP-ASSY-HEAD,LED	1	1	1	
23062	23062-1236	BRACKET-COMP,HEAD LAMP,LWR	1	1	1	
23062A	23062-1237	BRACKET-COMP,HEAD LAMP,UPP	1	1	1	
39156	39156-2727	PAD,80X20X30	2	2	2	
39156A	39156-2728	PAD,110X8X10	2	2	2	
92143	92143-1353	COLLAR	2	2	2	
92154	92154-4306	BOLT,SOCKET,6X25	2	2	2	
92154A	92154-4307	BOLT,SOCKET,6X10	2	2	2	
92154B	92154-4309	BOLT,SOCKET,6X12	2	2	2	
92160	92160-1167	DAMPER,10X20X12	2	2	2	
92161	92161-2252	DAMPER	2	2	2	
92173	92173-2077	CLAMP	2	2	2	

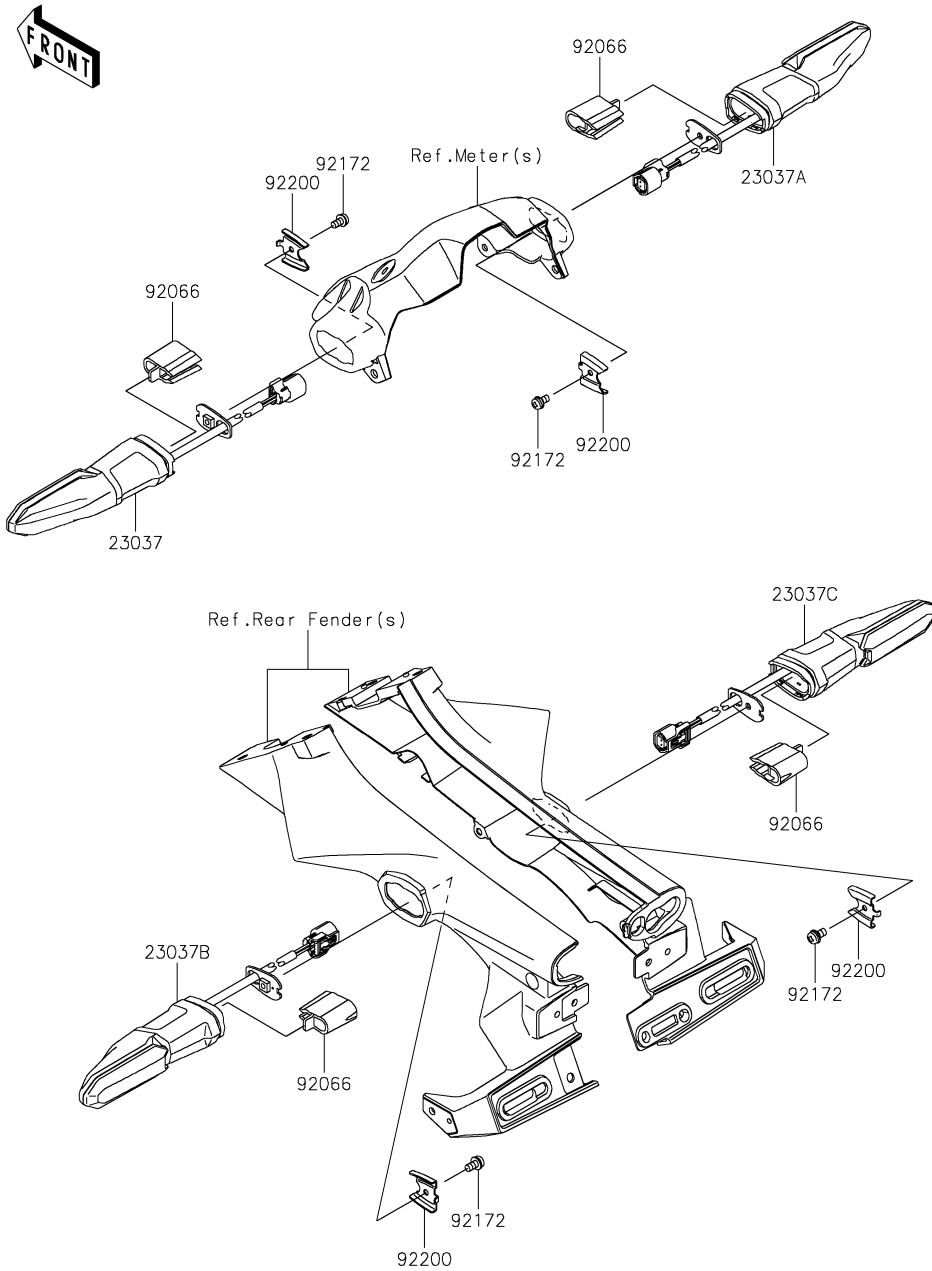
# '22 ZR900 FNSNN/FNSBN/FNSCN

# 54. Taillight(s)



Ref. No.	Part No.	Description	Spec Code	Quantity				
				'22	'22	'22		
				FNSNN	FNSBN	FNSCN		
11057	11057-0247	BRACKET, TAIL LAMP	1	1	1			
23016	23016-0639	LAMP-ASSY, LICENSE, LED	1	1	1			
23025	23025-0361	LAMP-TAIL	1	1	1			
92022	92022-263	WASHER, 5.2X16X1.2	2	2	2			
92152	92152-1562	COLLAR, 5.6X8X11.2	2	2	2			
92154	92154-2682	BOLT, FLANGED, 5X25	2	2	2			
92161	92161-0776	DAMPER	2	2	2			
92161A	92161-1369	DAMPER, 8X18X8.1	2	2	2			
92161B	92161-1917	DAMPER	1	1	1			
92172	92172-0864	SCREW, 5X10	2	2	2			
92172A	92172-1427	SCREW, TAPTITE, 5X16	2	2	2			
92210	92210-0935	NUT, PLATE, 5MM	2	2	2			

F2730

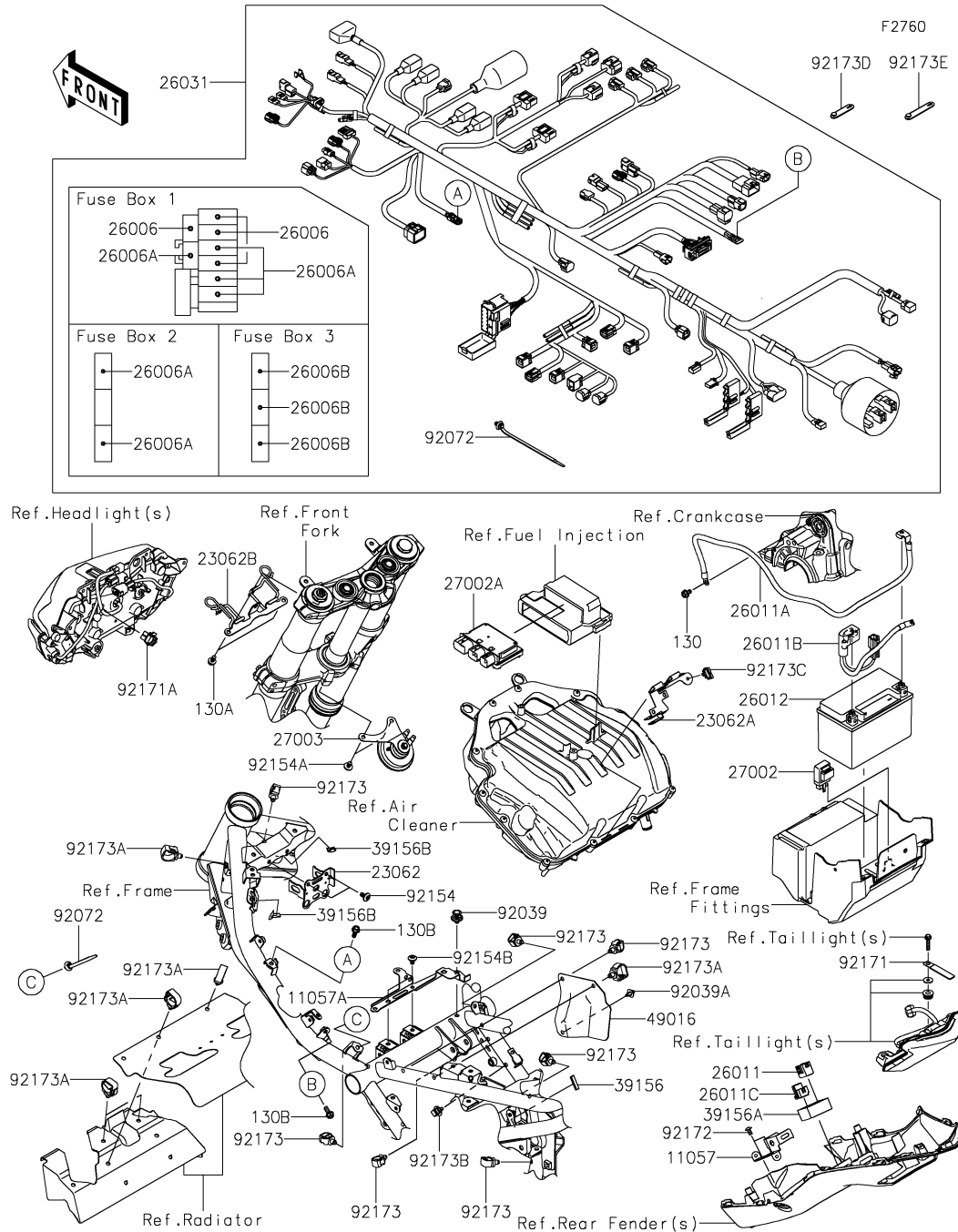


## 55. Turn Signals

Ref. No.	Part No.	Description	Spec Code	Quantity				
				'22	'22	'22		
				FNSNN	FNSBN	FNSCN		
23037	23037-0460	LAMP-ASSY-SIGNAL,LED,FR,LH	1	1	1			
23037A	23037-0461	LAMP-ASSY-SIGNAL,LED,FR,RH	1	1	1			
23037B	23037-0466	LAMP-ASSY-SIGNAL,LED,RR,LH	1	1	1			
23037C	23037-0467	LAMP-ASSY-SIGNAL,LED,RR,RH	1	1	1			
92066	92066-0919	PLUG,SIGNAL LAMP	4	4	4			
92172	92172-1426	SCREW-PAN-WP-CROS,4X8	4	4	4			
92200	92200-0855	WASHER	4	4	4			

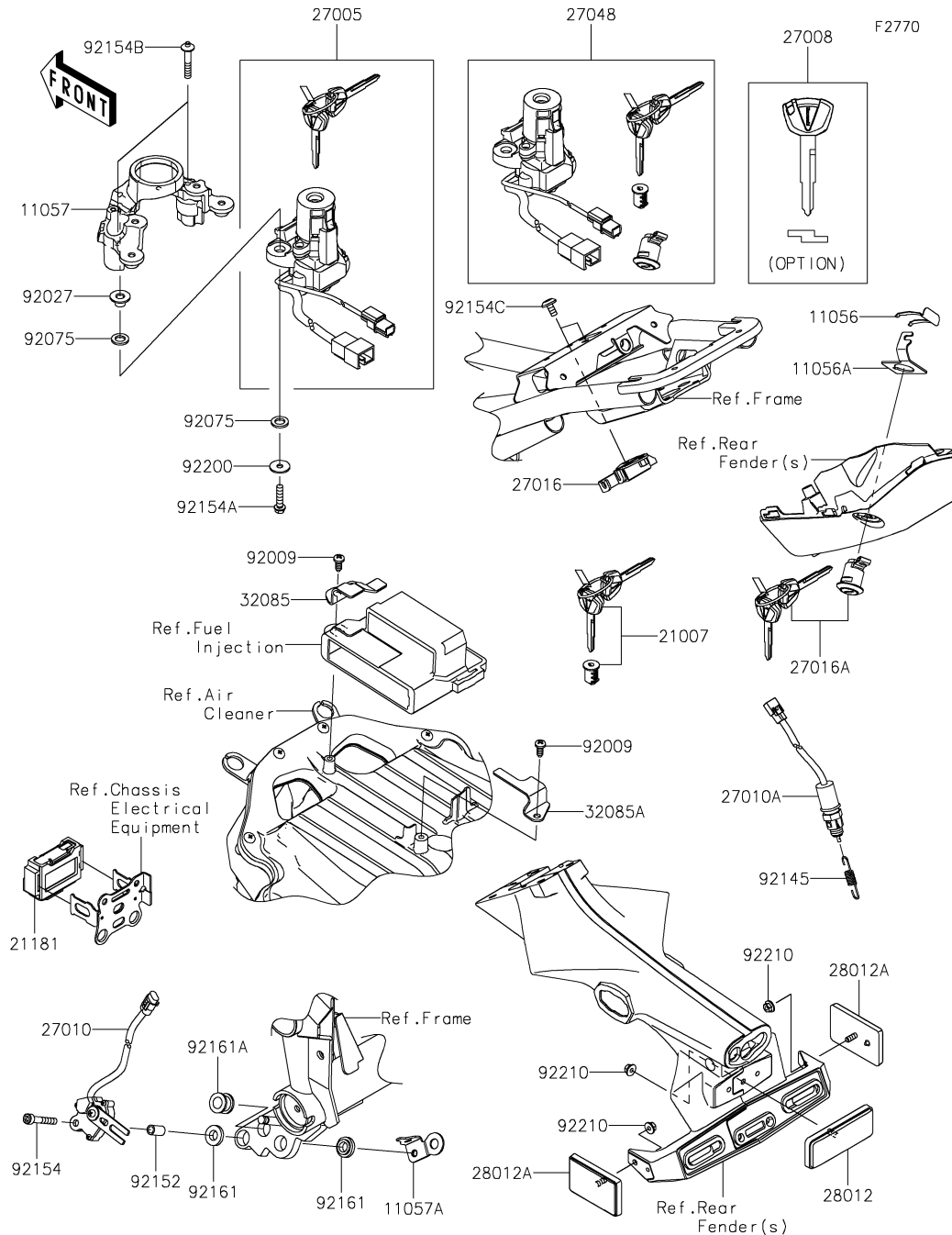
# '22 ZR900 FNSNN/FNSBN/FNSCN

# 56. Chassis Electrical Equipment



Ref. No.	Part No.	Description	Spec Code	Quantity			
				'22 FNSNN	'22 FNSBN	'22 FNSCN	
11057	11057-0316	BRACKET,RELAY		1	1	1	
11057A	11057-2699	BRACKET,MAIN HARNESS		1	1	1	
23062	23062-0894	BRACKET-COMP,V.D. SENSOR		1	1	1	
23062A	23062-1240	BRACKET-COMP,A/C BOX		1	1	1	
23062B	23062-1294	BRACKET-COMP,FORK UPPER HOLDER		1	1	1	
26006	26006-0001	FUSE,MINI BLADE,15A,BLUE		4	4	4	
26006A	26006-0055	FUSE,MINI BLADE,7.5A,BROWN		6	6	6	
26006B	26006-1080	FUSE,MINI BLADE,30A,GREEN		3	3	3	
26011	26011-0275	WIRE-LEAD,CONNECTOR COVER		1	1	1	
26011A	26011-0972	WIRE-LEAD,BATTERY(-)		1	1	1	
26011B	26011-1888	WIRE-LEAD,BATTERY(+)		1	1	1	
26011C	26011-1901	WIRE-LEAD,DIAG CONNECTOR		1	1	1	
26012	26012-0730	BATTERY,FTX9-BS,12V 8AH		1	1	1	
26031	26031-2851	HARNES,MAIN		1	1	1	
27002	27002-0029	RELAY-ASSY,SIGNAL LAMP		1	1	1	
27002A	27002-0050	RELAY-ASSY		1	1	1	
27003	27003-0121	HORN		1	1	1	
39156	39156-2583	PAD,28X17X1		1	1	1	
39156A	39156-2584	PAD,DIAG CONNECTOR		1	1	1	
39156B	39156-2729	PAD,20X20X1		2	2	2	
49016	49016-0689	COVER-SEAL,ABS CONNECTOR		1	1	1	
92039	92039-0014	RIVET,HOLE 8MM		1	1	1	
92039A	92039-0015	RIVET		1	1	1	
92072	92072-1414	BAND,OS170-FT7(BLACK)	AR	AR	AR		
92154	92154-2355	BOLT,SOCKET,6X12		2	2	2	
92154A	92154-2667	BOLT,SOCKET,6X10		2	2	2	
92154B	92154-4298	BOLT,SOCKET,6X10		2	2	2	
92171	92171-0652	CLAMP,L=60		1	1	1	
92171A	92171-1722	CLAMP,EDGE CLIP		1	1	1	
92172	92172-0864	SCREW,5X10		2	2	2	
92173	92173-0736	CLAMP,12MM DIA.		7	7	7	
92173A	92173-0861	CLAMP		6	6	6	
92173B	92173-1022	CLAMP,CABLE CLIP		1	1	1	
92173C	92173-1429	CLAMP,CLIP,TAIL LAMP,ETC		1	1	1	
92173D	92173-2198	CLAMP		2	2	2	
92173E	92173-2199	CLAMP		2	2	2	
130	130BA0610	BOLT-FLANGED,6X10		1	1	1	
130A	130BA0612	BOLT-FLANGED,6X12		2	2	2	
130B	130BA0616	BOLT-FLANGED,6X16		2	2	2	

# '22 ZR900 FNSNN/FNSBN/FNSCN

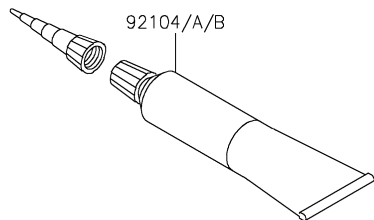
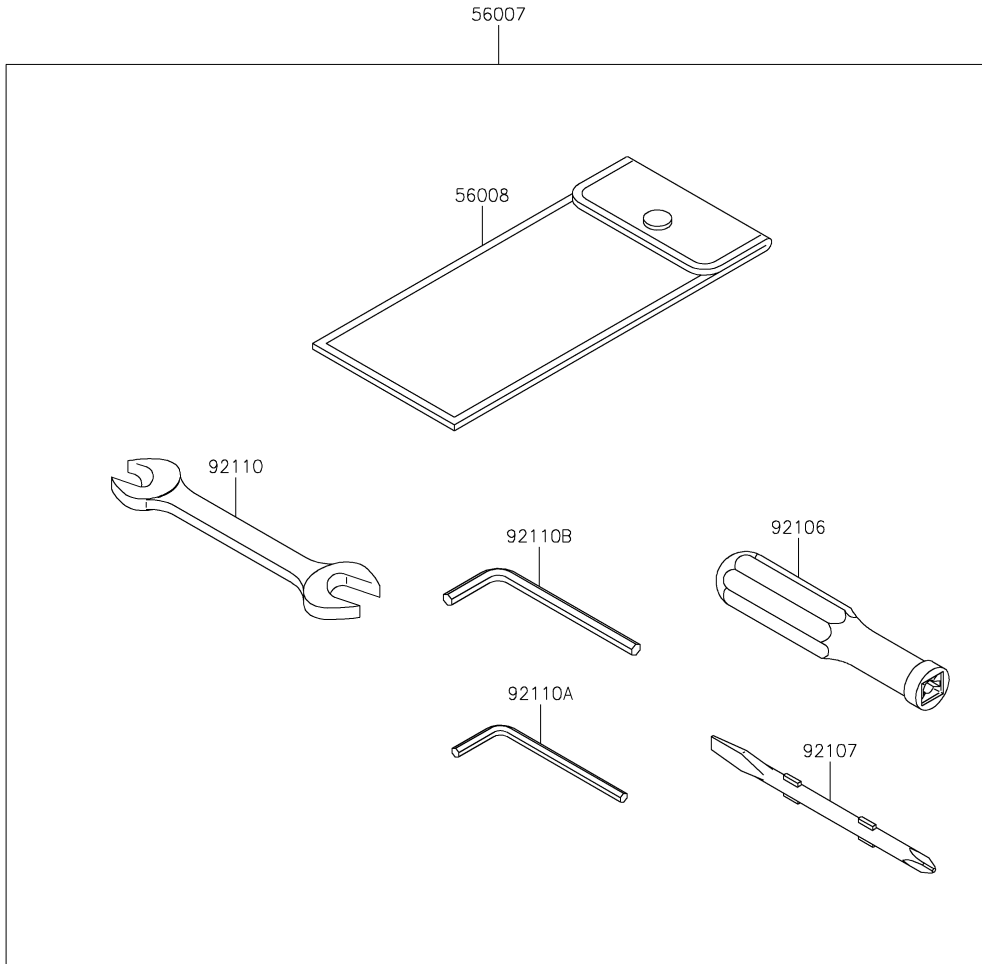


# 57. Ignition Switch

Ref. No.	Part No.	Description	Spec Code	Quantity			
				'22	'22	'22	
				FNSNN	FNSBN	FNSCN	
11056	11056-0238	BRACKET,CLASP	1	1	1		
11056A	11056-2119	BRACKET,SEAT LOCK	1	1	1		
11057	11057-0251	BRACKET,IG. SWITCH	1	1	1		
11057A	11057-0319	BRACKET	1	1	1		
21007	21007-5083	ROTOR,LOCK,TANK CAP	1	1	1		
21181	21181-0023	AMPLIFIER,IMMOBI	1	1	1		
27005	27005-0696	SWITCH-ASSY-IGNITION,IMMOBI	1	1	1		
27008	27008-0558	KEY-LOCK,BLANK,IMMOBI (OPTION)	1	1	1		
27010	27010-0722	SWITCH,SIDE STAND	1	1	1		
27010A	27010-0937	SWITCH,REAR BRAKE	1	1	1		
27016	27016-0008	LOCK-ASSY,SEAT STRIKER	1	1	1		
27016A	27016-5386	LOCK-ASSY,SEAT	1	1	1		
27048	27048-5240	SWITCH-ASSY	1	1	1		
28012	28012-1077	REFLECTOR-REFLEX	1	1	1		
28012A	28012-1088	REFLECTOR-REFLEX	2	2	2		
32085	32085-0821	STOPPER	1	1	1		
32085A	32085-0863	STOPPER	1	1	1		
92009	92009-3845	SCREW,6X14	2	2	2		
92027	92027-1045	COLLAR,L=9.6	2	2	2		
92075	92075-1564	DAMPER	4	4	4		
92145	92145-2219	SPRING,REAR BRAKE	1	1	1		
92152	92152-2274	COLLAR,6.5X9.5X17	1	1	1		
92154	92154-0505	BOLT,SOCKET,6X40	1	1	1		
92154A	92154-2154	BOLT,FLANGED,6X25	2	2	2		
92154B	92154-2207	BOLT,E TYPE TORX,6X35	2	2	2		
92154C	92154-2355	BOLT,SOCKET,6X12	2	2	2		
92161	92161-0117	DAMPER	2	2	2		
92161A	92161-0118	DAMPER	1	1	1		
92200	92200-0780	WASHER,6X20X1.6	2	2	2		
92210	92210-0007	NUT,FLANGED,5MM	3	3	3		

# '22 ZR900 FNSNN/FNSBN/FNSCN

F2810

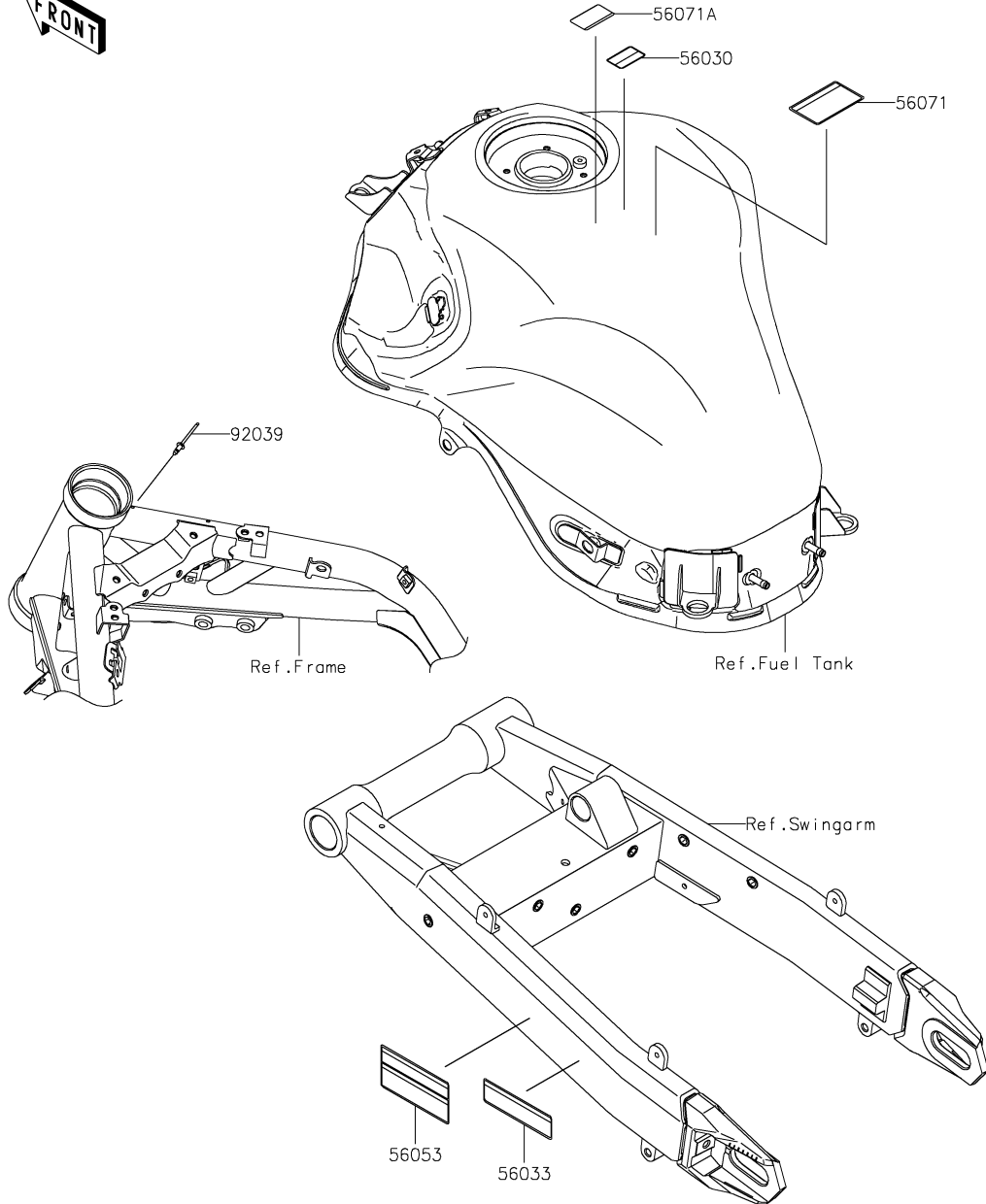


## 58. Owner's Tools

Ref. No.	Part No.	Description	Spec Code	Quantity			
				'22	'22	'22	
				FNSNN	FNSBN	FNSCN	
56007	56007-0171	TOOL-KIT		1	1	1	
56008	56008-0036	BAG,TOOL		1	1	1	
92104	92104-0004	GASKET-LIQUID,TB1211F,CLEAR		1	1	1	
92104A	92104-1064	GASKET-LIQUID,TB1216B,BLACK		1	1	1	
92104B	92104-2068	GASKET-LIQUID,TB1207B,BLACK		1	1	1	
92106	92106-0004	GRIP-SCREW DRIVER		1	1	1	
92107	92107-0019	TOOL-DRIVER,#2PHILLIPS&SLOT		1	1	1	
92110	92110-0057	TOOL-WRENCH,OPEN END,14X17		1	1	1	
92110A	92110-0567	TOOL-WRENCH,ALLEN,4MM		1	1	1	
92110B	92110-1015	TOOL-WRENCH,ALLEN,5MM		1	1	1	



F2860

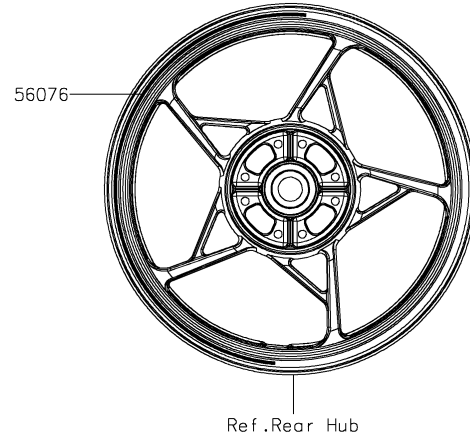
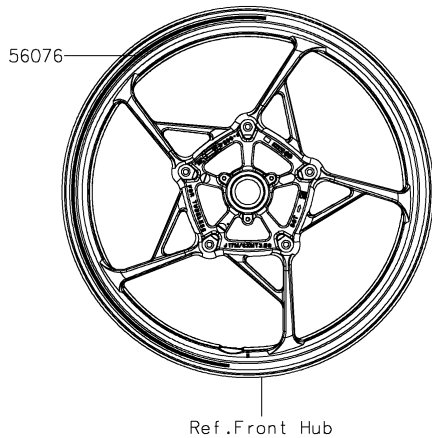
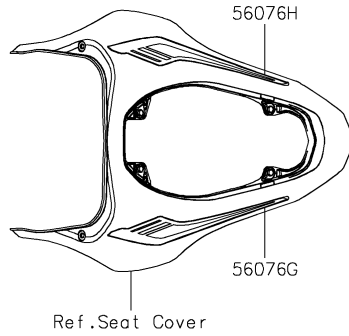
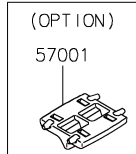
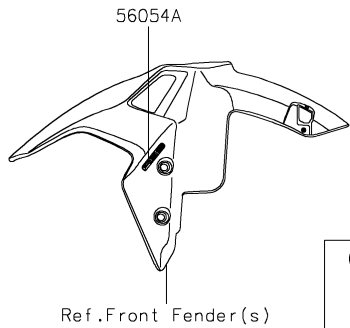
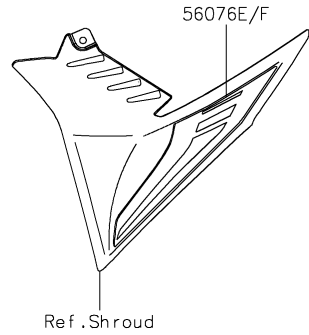
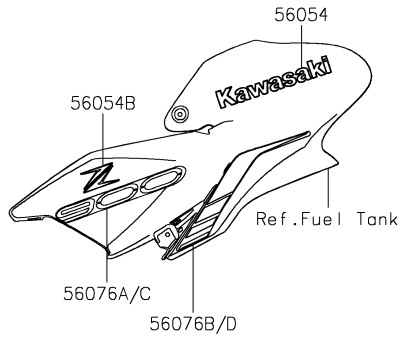


59. Labels

Ref. No.	Part No.	Description	Spec Code	Quantity				
				'22	'22	'22		
				FNSNN	FNSBN	FNSCN		
56030	56030-1344	LABEL,95+OCTANE	1	1	1			
56033	56033-0884	LABEL-MANUAL,CHAIN	1	1	1			
56053	56053-1695	LABEL-SPECIFICATION,TIRE&LOAD	1	1	1			
56071	56071-0158	LABEL-WARNING,EVAPO	1	1	1			
56071A	56071-0695	LABEL-WARNING,FUEL,E5/E10	1	1	1			
92039	92039-1105	RIVET	2	2	2			

# '22 ZR900 FNSNN/FNSBN/FNSCN

F2861

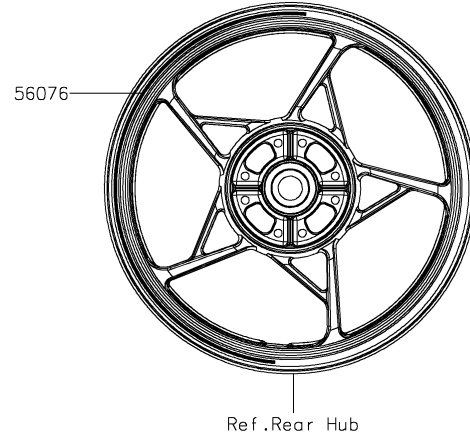
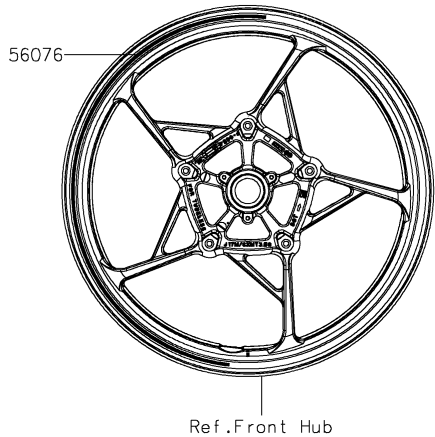
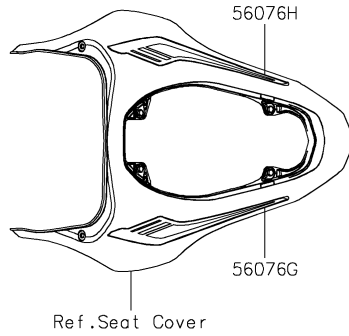
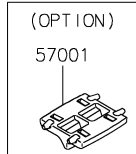
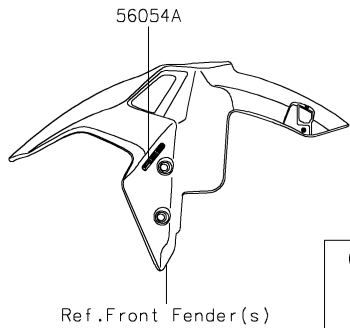
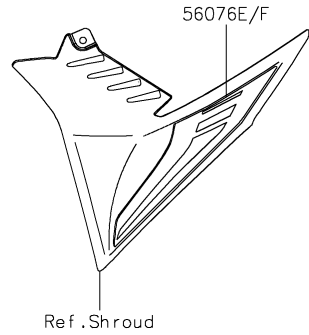
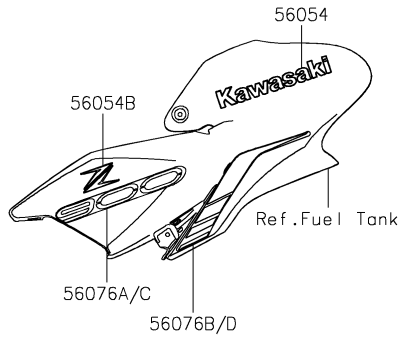


## 60. Decals(Blue)(FNSNN)

Ref. No.	Part No.	Description	Spec Code	Quantity			
				'22	'22	'22	
				FNSNN	FNSBN	FNSCN	
56054	56054-1356	MARK,KAWASAKI					2
56054A	56054-1413	MARK,FR FENDER,ABS					2
56054B	56054-3776	MARK,SHROUD,Z,3D					2
56076	56076-3855	PATTERN,WHEEL,BLK/SIL,700X6					4
56076A	56076-3952	PATTERN,TANK COVER,LH,FR					1
56076B	56076-3953	PATTERN,TANK COVER,LH,RR					1
56076C	56076-3954	PATTERN,TANK COVER,RH,FR					1
56076D	56076-3955	PATTERN,TANK COVER,RH,RR					1
56076E	56076-3956	PATTERN,SHROUD,LH					1
56076F	56076-3957	PATTERN,SHROUD,RH					1
56076G	56076-3958	PATTERN,TAIL COVER,LH					1
56076H	56076-3959	PATTERN,TAIL COVER,RH					1
57001	57001-1752	RIM STRIPE APPLICATOR (OPTION)					AR

# '22 ZR900 FNSNN/FNSBN/FNSCN

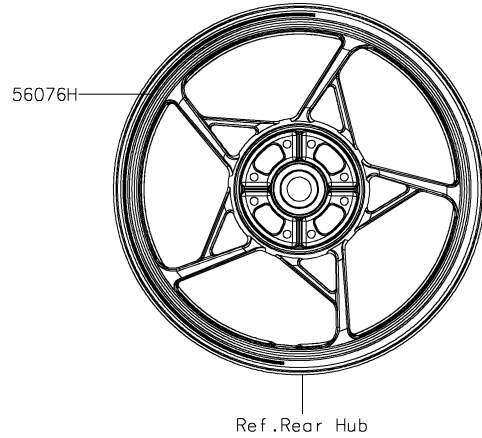
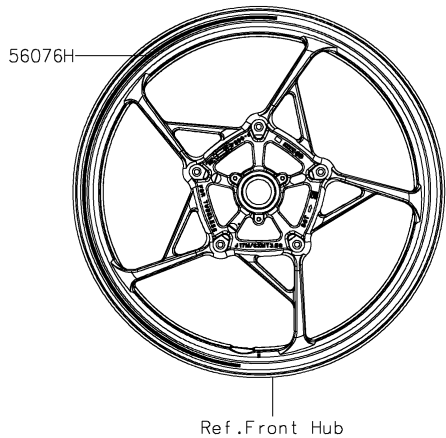
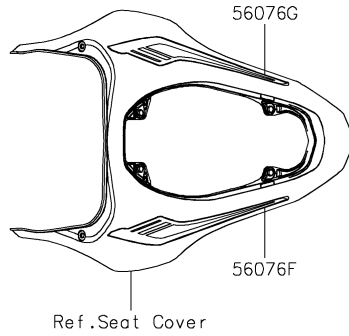
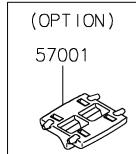
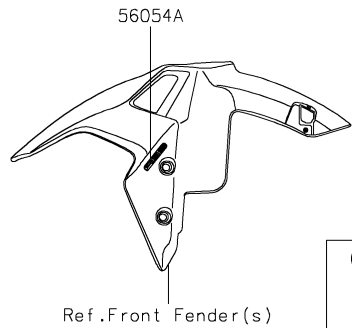
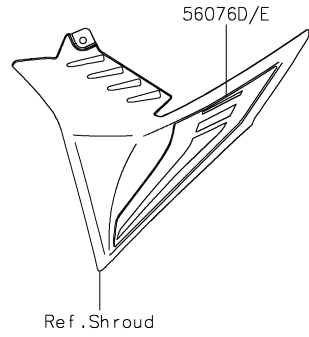
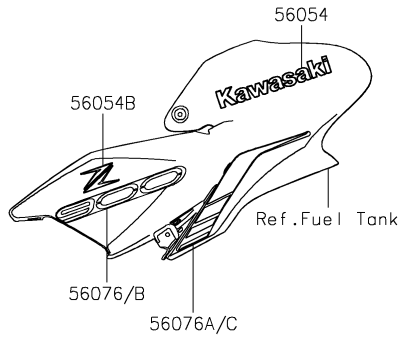
F2861A



## 61. Decals(Black)(FNSNN)

Ref. No.	Part No.	Description	Spec Code	Quantity			
				'22	'22	'22	
				FNSNN	FNSBN	FNSCN	
56054	56054-1356	MARK,KAWASAKI					2
56054A	56054-1413	MARK,FR FENDER,ABS					2
56054B	56054-3776	MARK,SHROUD,Z,3D					2
56076	56076-2167	PATTERN,WHEEL,GRN/BLK,700X6					4
56076A	56076-3934	PATTERN,TANK COVER,LH,FR					1
56076B	56076-3935	PATTERN,TANK COVER,LH,RR					1
56076C	56076-3936	PATTERN,TANK COVER,RH,FR					1
56076D	56076-3937	PATTERN,TANK COVER,RH,RR					1
56076E	56076-3938	PATTERN,SHROUD,LH					1
56076F	56076-3939	PATTERN,SHROUD,RH					1
56076G	56076-3940	PATTERN,TAIL COVER,LH					1
56076H	56076-3941	PATTERN,TAIL COVER,RH					1
57001	57001-1752	RIM STRIPE APPLICATOR (OPTION)					AR

F2861B

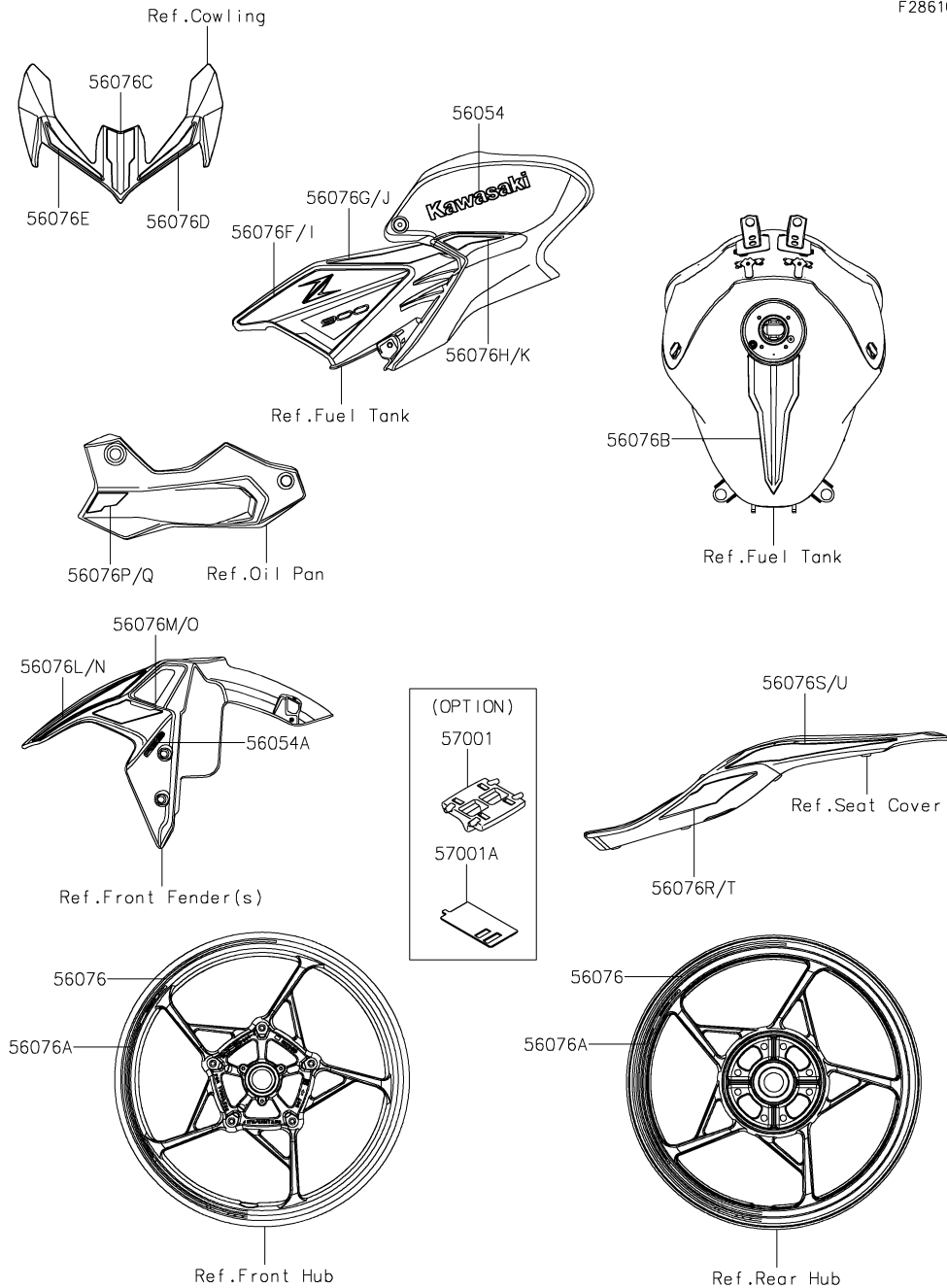


62. Decals(White)(FNSNN)

Ref. No.	Part No.	Description	Spec Code	Quantity			
				'22 FNSNN	'22 FNSBN	'22 FNSCN	
56054	56054-1356	MARK,KAWASAKI				2	
56054A	56054-1413	MARK,FR FENDER,ABS				2	
56054B	56054-3776	MARK,SHROUD,Z,3D				2	
56076	56076-2660	PATTERN,TANK COVER,LH,FR				1	
56076A	56076-2661	PATTERN,TANK COVER,LH,RR				1	
56076B	56076-2662	PATTERN,TANK COVER,RH,FR				1	
56076C	56076-2663	PATTERN,TANK COVER,RH,RR				1	
56076D	56076-2664	PATTERN,SHROUD,LH				1	
56076E	56076-2665	PATTERN,SHROUD,RH				1	
56076F	56076-2666	PATTERN,TAIL COVER,LH				1	
56076G	56076-2667	PATTERN,TAIL COVER,RH				1	
56076H	56076-3913	PATTERN,WHEEL,BLK/WHT,700X6				4	
57001	57001-1752	RIM STRIPE APPLICATOR (OPTION)				AR	

# '22 ZR900 FNSNN/FNSBN/FNSCN

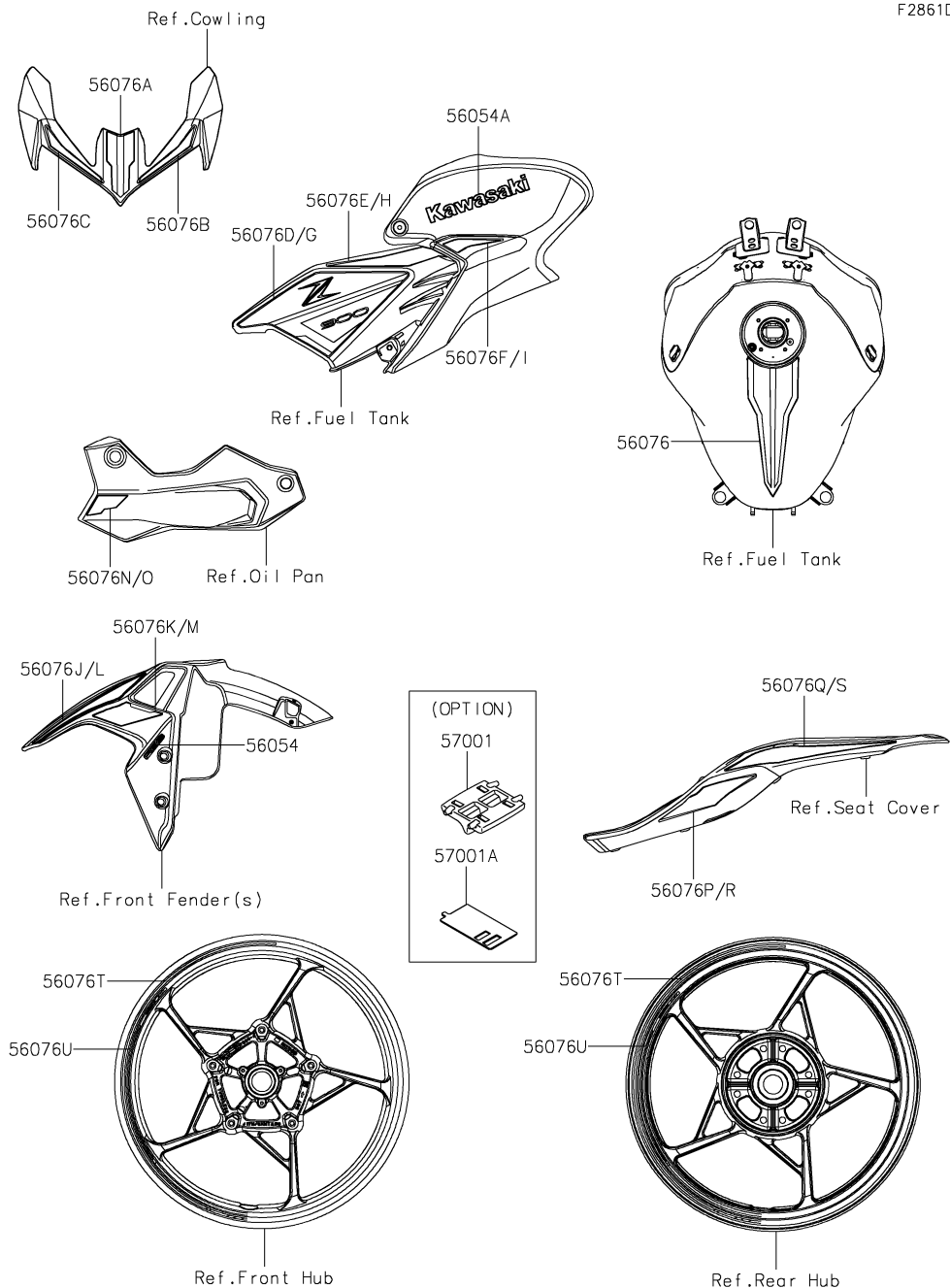
F2861C



## 63. Decals(Green)(FNSBN)

Ref. No.	Part No.	Description	Spec Code	Quantity			
				'22 FNSNN	'22 FNSBN	'22 FNSCN	
56054	56054-1356	MARK,KAWASAKI				2	
56054A	56054-1413	MARK,FR FENDER,ABS				2	
56076	56076-2166	PATTERN,WHEEL,GRN/BLK,6X700				4	
56076A	56076-3911	PATTERN,WHEEL,GRN/BLK,535X12				4	
56076B	56076-3914	PATTERN,FUEL TANK				1	
56076C	56076-3915	PATTERN,UPP COWL.,CNT				1	
56076D	56076-3916	PATTERN,UPP COWL.,LH				1	
56076E	56076-3917	PATTERN,UPP COWL.,RH				1	
56076F	56076-3918	PATTERN,TANK COVER,LH,FR				1	
56076G	56076-3919	PATTERN,TANK COVER,LH,MID				1	
56076H	56076-3920	PATTERN,TANK COVER,LH,RR				1	
56076I	56076-3921	PATTERN,TANK COVER,RH,FR				1	
56076J	56076-3922	PATTERN,TANK COVER,RH,MID				1	
56076K	56076-3923	PATTERN,TANK COVER,RH,RR				1	
56076L	56076-3924	PATTERN,FR FENDER,LH,UPP				1	
56076M	56076-3925	PATTERN,FR FENDER,LH,LWR				1	
56076N	56076-3926	PATTERN,FR FENDER,RH,UPP				1	
56076O	56076-3927	PATTERN,FR FENDER,RH,LWR				1	
56076P	56076-3928	PATTERN,LWR COWL.,LH				1	
56076Q	56076-3929	PATTERN,LWR COWL.,RH				1	
56076R	56076-3930	PATTERN,TAIL COVER,LH,FR				1	
56076S	56076-3931	PATTERN,TAIL COVER,LH,RR				1	
56076T	56076-3932	PATTERN,TAIL COVER,RH,FR				1	
56076U	56076-3933	PATTERN,TAIL COVER,RH,RR				1	
57001	57001-1752	RIM STRIPE APPLICATOR (OPTION)				AR	
57001A	57001-1836	RIM STRIPE APPLICATOR,10/12MM (OPTION)				AR	

F2861D

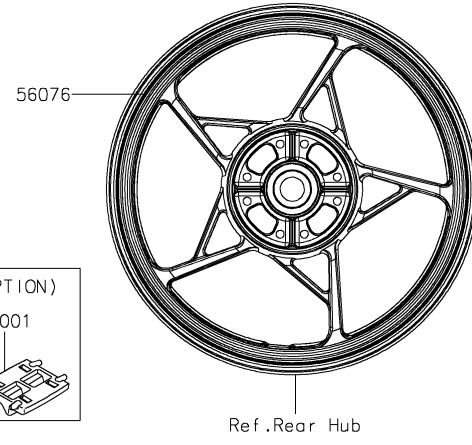
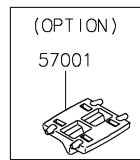
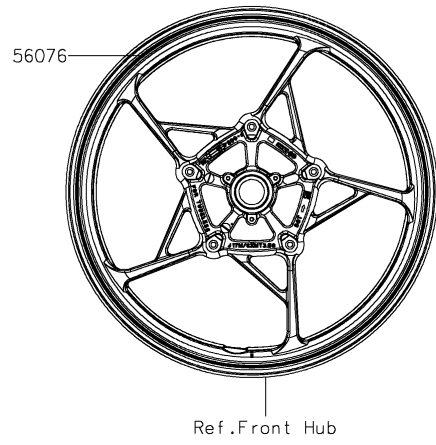
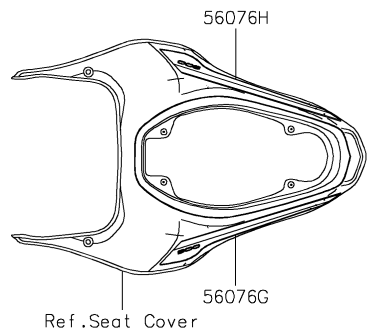
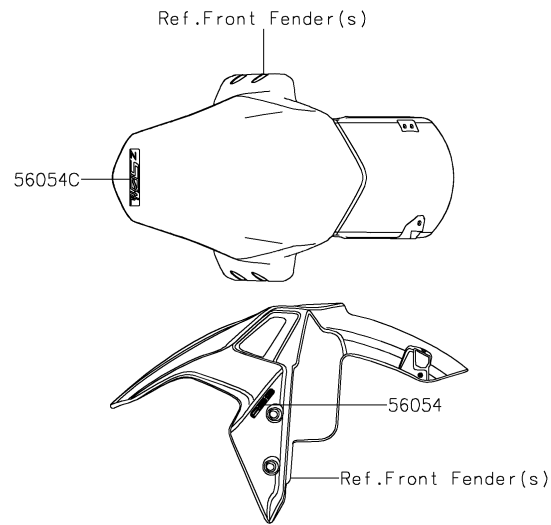
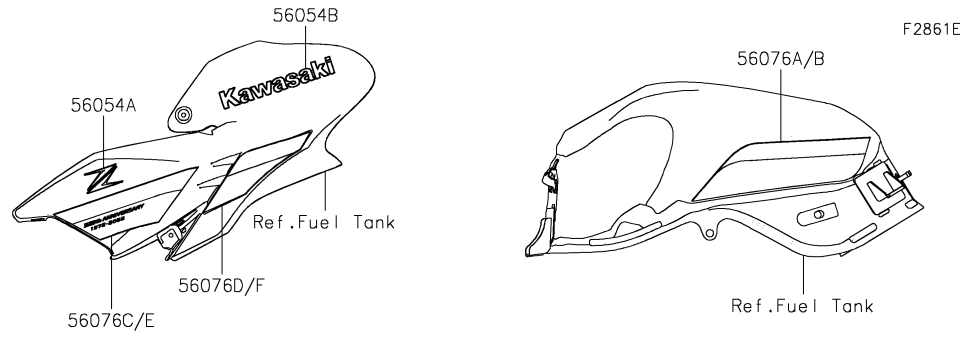


64. Decals(White)(FNSBN)

Ref. No.	Part No.	Description	Spec Code	Quantity			
				'22 FNSNN	'22 FNSBN	'22 FNSCN	
56054	56054-1412	MARK,FR FENDER,ABS				2	
56054A	56054-1562	MARK,KAWASAKI				2	
56076	56076-3865	PATTERN,FUEL TANK				1	
56076A	56076-3866	PATTERN,UPP COWL.,CNT				1	
56076B	56076-3867	PATTERN,UPP COWL.,LH				1	
56076C	56076-3868	PATTERN,UPP COWL.,RH				1	
56076D	56076-3869	PATTERN,TANK COVER,LH,FR				1	
56076E	56076-3870	PATTERN,TANK COVER,LH,MID				1	
56076F	56076-3871	PATTERN,TANK COVER,LH,RR				1	
56076G	56076-3872	PATTERN,TANK COVER,RH,FR				1	
56076H	56076-3873	PATTERN,TANK COVER,RH,MID				1	
56076I	56076-3874	PATTERN,TANK COVER,RH,RR				1	
56076J	56076-3875	PATTERN,FR FENDER,LH,UPP				1	
56076K	56076-3876	PATTERN,FR FENDER,LH,LWR				1	
56076L	56076-3877	PATTERN,FR FENDER,RH,UPP				1	
56076M	56076-3878	PATTERN,FR FENDER,RH,LWR				1	
56076N	56076-3879	PATTERN,LWR COWL.,LH				1	
56076O	56076-3880	PATTERN,LWR COWL.,RH				1	
56076P	56076-3881	PATTERN,TAIL COVER,LH,FR				1	
56076Q	56076-3882	PATTERN,TAIL COVER,LH,RR				1	
56076R	56076-3883	PATTERN,TAIL COVER,RH,FR				1	
56076S	56076-3884	PATTERN,TAIL COVER,RH,RR				1	
56076T	56076-3885	PATTERN,WHEEL,RED/BLK,700X6				4	
56076U	56076-3886	PATTERN,WHEEL,BLK/WHT,535X12				4	
57001	57001-1752	RIM STRIPE APPLICATOR (OPTION)				AR	
57001A	57001-1836	RIM STRIPE APPLICATOR,10/12MM (OPTION)				AR	

# '22 ZR900 FNSNN/FNSBN/FNSCN

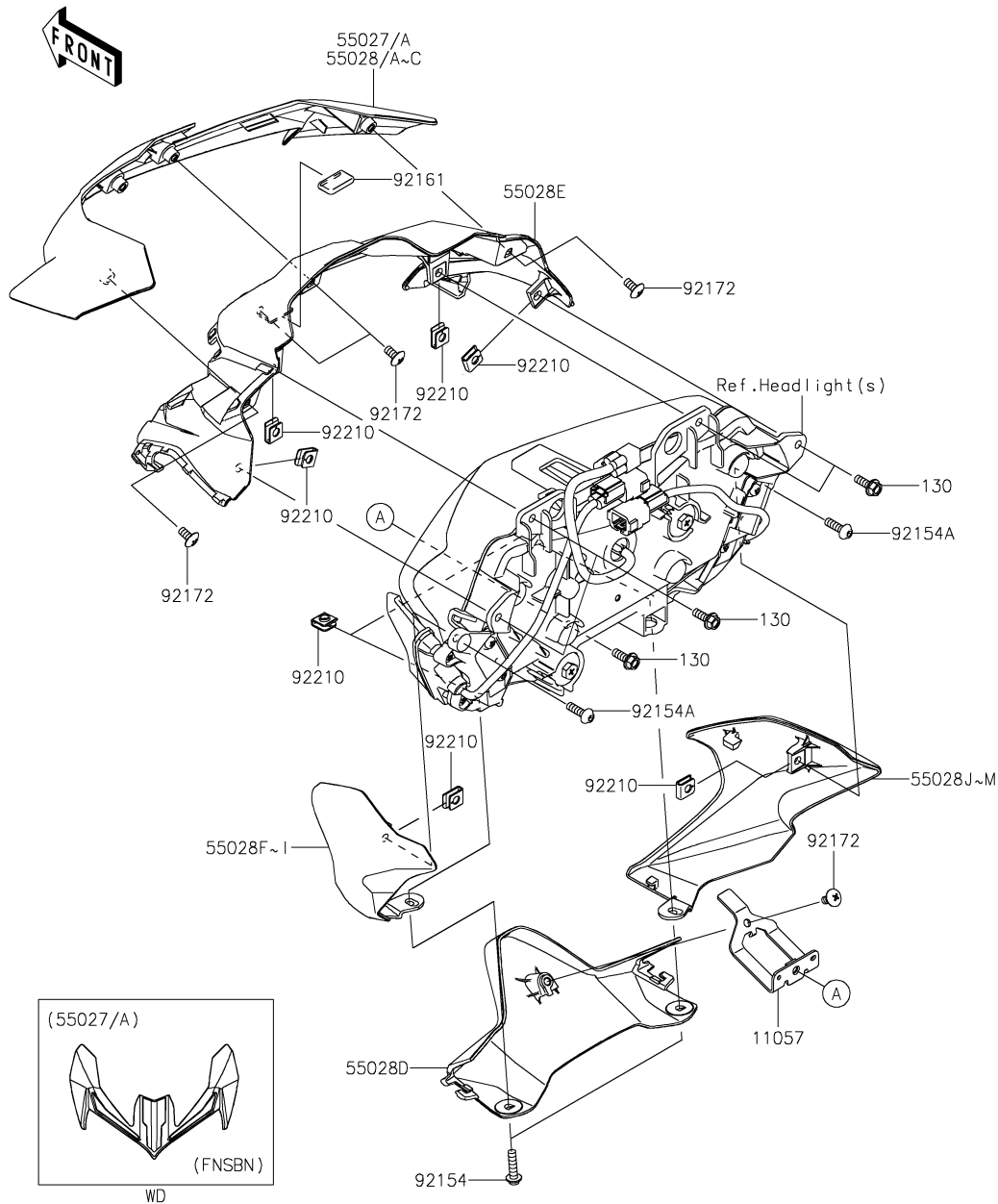
# 65. Decals(Red)(FNSCN)



Ref. No.	Part No.	Description	Spec Code	Quantity			
				'22 FNSNN	'22 FNSBN	'22 FNSCN	
56054	56054-1413	MARK,FR FENDER,ABS				2	
56054A	56054-3790	MARK,TANK COVER,Z,3D				2	
56054B	56054-3791	MARK,TANK COVER,KAWASAKI,3D				2	
56054C	56054-3806	MARK,Z 50TH				1	
56076	56076-4077	PATTERN,WHEEL,SILVER,1409X6				4	
56076A	56076-4108	PATTERN,FUEL TANK,LH				1	
56076B	56076-4109	PATTERN,FUEL TANK,RH				1	
56076C	56076-4110	PATTERN,TANK COVER,LH,FR				1	
56076D	56076-4111	PATTERN,TANK COVER,LH,RR				1	
56076E	56076-4112	PATTERN,TANK COVER,RH,FR				1	
56076F	56076-4113	PATTERN,TANK COVER,RH,RR				1	
56076G	56076-4114	PATTERN,TAIL COVER,LH				1	
56076H	56076-4115	PATTERN,TAIL COVER,RH				1	
57001	57001-1752	RIM STRIPE APPLICATOR (OPTION)				AR	

# '22 ZR900 FNSNN/FNSBN/FNSCN

F2871



## 66. Cowling

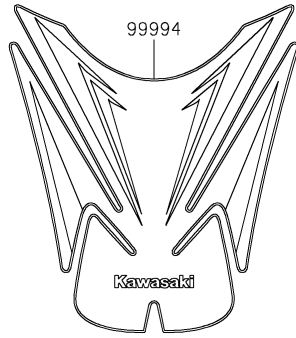
Ref. No.	Part No.	Description	Spec Code	Quantity				
				'22	'22	'22		
				FNSNN	FNSBN	FNSCN		
11057	11057-2669	BRACKET	1	1	1			
55027	55027-5209-68N	COWLING,UPP,P.R.WHITE		1				
55027A	55027-5215-660	COWLING,UPP,M.S.BLACK		1				
55028	55028-0703-68M	COWLING,UPP,M.M.T.BLUE	1					
55028A	55028-0703-68N	COWLING,UPP,P.R.WHITE	1					
55028B	55028-0703-739	COWLING,UPP,M.F.S.BLACK	1					
55028C	55028-0703-B1	COWLING,UPP,F.RED				1		
55028D	55028-0704	COWLING,LWR	1	1	1			
55028E	55028-0705	COWLING,INNER	1	1	1			
55028F	55028-0706-51P	COWLING,UPP,SIDE,LH,C.L.GREEN		1				
55028G	55028-0706-660	COWLING,UPP,SIDE,LH,M.S.BLACK	1					
55028H	55028-0706-68P	COWLING,UPP,SIDE,LH,M.M.G.GRAY		1				
55028I	55028-0706-H8	COWLING,UPP,SIDE,LH,EBONY				1		
55028J	55028-0707-51P	COWLING,UPP,SIDE,RH,C.L.GREEN		1				
55028K	55028-0707-660	COWLING,UPP,SIDE,RH,M.S.BLACK	1					
55028L	55028-0707-68P	COWLING,UPP,SIDE,RH,M.M.G.GRAY		1				
55028M	55028-0707-H8	COWLING,UPP,SIDE,RH,EBONY				1		
92154	92154-0829	BOLT,SOCKET,5X20	2	2	2			
92154A	92154-4294	BOLT,SOCKET,5X16	2	2	2			
92161	92161-1367	DAMPER,12X23	1	1	1			
92172	92172-0262	SCREW,TAPPING,5X10	5	5	5			
92210	92210-0571	NUT	8	8	8			
130	130BA0514	BOLT-FLANGED,5X14	5	5	5			



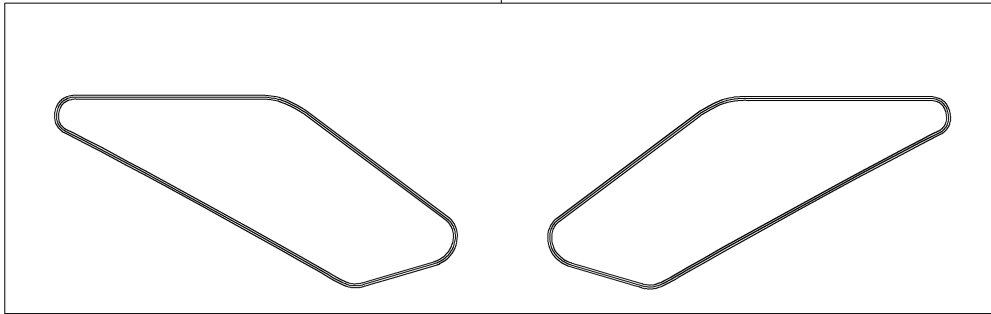


'22 ZR900 FNSNN/FNSBN/FNSCN

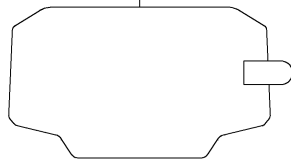
F2910



99994A



99994B

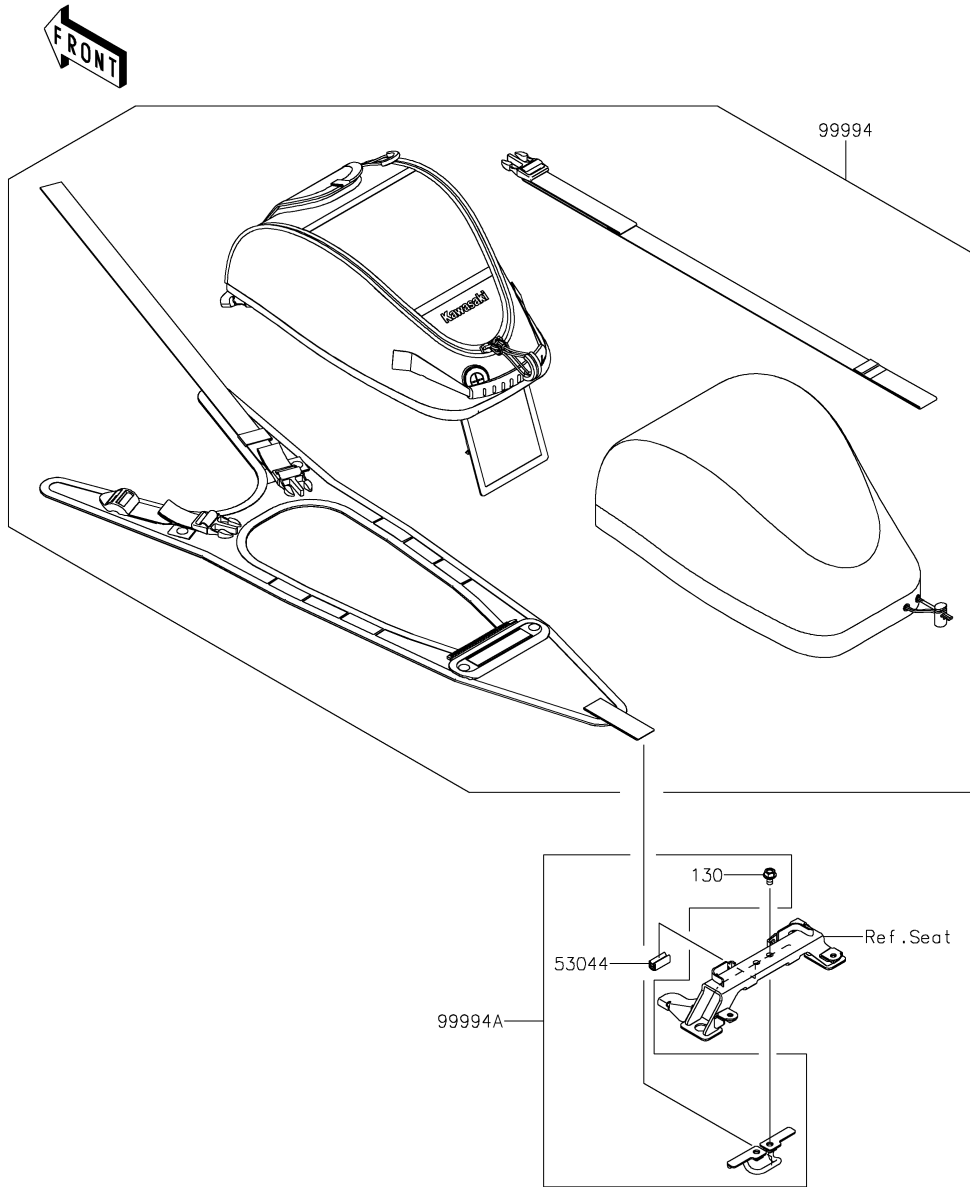


68. Accessory(Tank Pads and Meter Film)

Ref. No.	Part No.	Description	Spec Code	Quantity				
				'22	'22	'22		
				FNSNN	FNSBN	FNSCN		
99994	99994-0832	KIT-ACCESSORY,TANK PAD		1	1	1		
99994A	99994-0833	KIT-ACCESSORY,KNEE PAD		1	1	1		
99994B	99994-1472	SCRATCH RESISTANT FILM		1	1	1		

# '22 ZR900 FNSNN/FNSBN/FNSCN

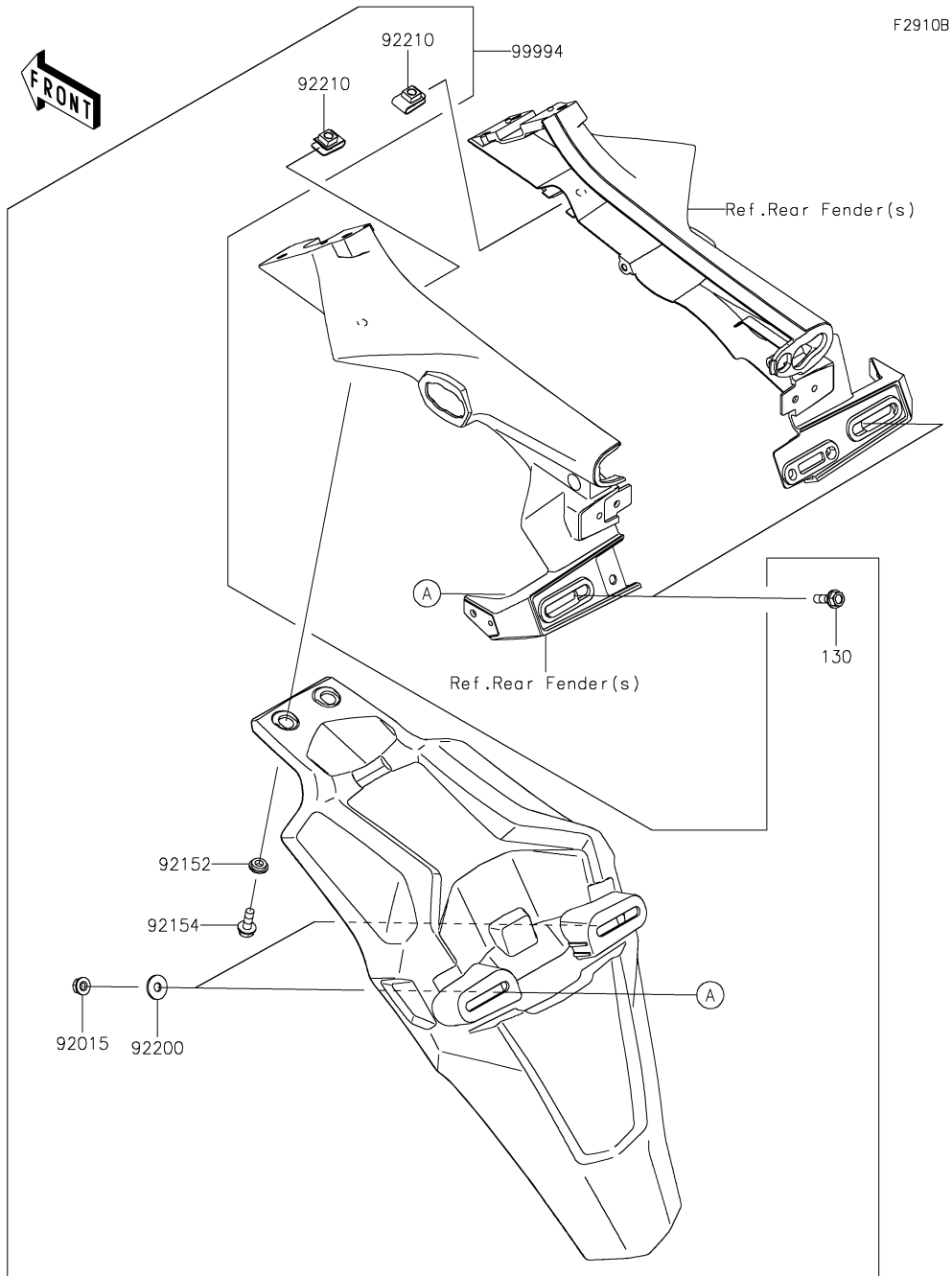
F2910A



## 69. Accessory(Tank Bag)

Ref. No.	Part No.	Description	Spec Code	Quantity		
				'22	'22	'22
			FNSNN	FNSBN	FNSCN	
53044	53044-0031	TRIM,L=22		1	1	1
99994	99994-0803	KIT-ACCESSORY,TANK BAG		1	1	1
99994A	99994-0986	KIT-ACCESSORY,BKT FOR TANKBAG		1	1	1
130	130BA0610	BOLT-FLANGED,6X10		2	2	2

# '22 ZR900 FNSNN/FNSBN/FNSCN

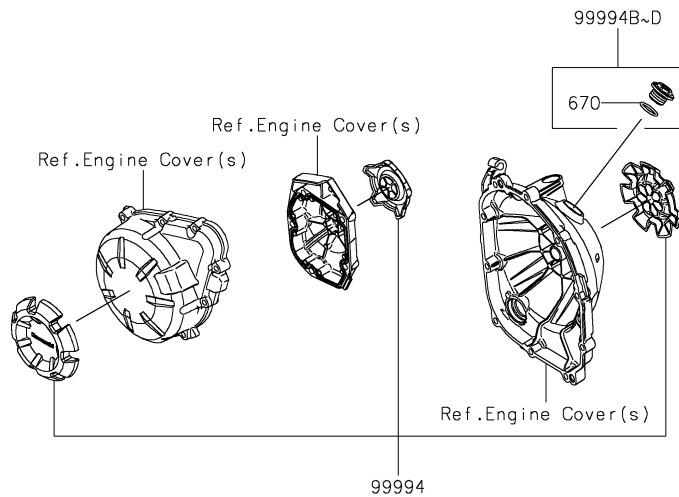
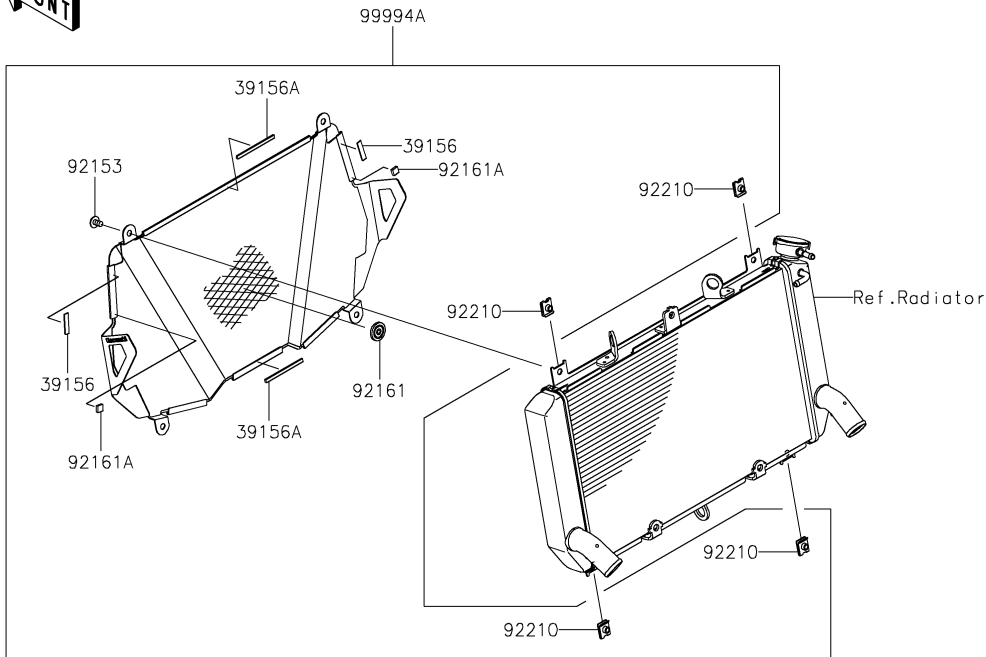


## 70. Accessory(Extended Flap)

Ref. No.	Part No.	Description	Spec Code	Quantity				
				'22	'22	'22		
				FNSNN	FNSBN	FNSCN		
92015	92015-1367	NUT,FLANGED,6MM		2	2	2		
92152	92152-2306	COLLAR,6.2X14X3.7		2	2	2		
92154	92154-1893	BOLT,FLANGED-SMALL,6X16		2	2	2		
92200	92200-0766	WASHER,6.5X18X1.6		2	2	2		
92210	92210-0933	NUT,CLIP,6MM		2	2	2		
99994	99994-0848	KIT-ACCESSORY,EXTENDED FLAP		1	1	1		
130	130BA0620	BOLT-FLANGED,6X20		2	2	2		

F2910C

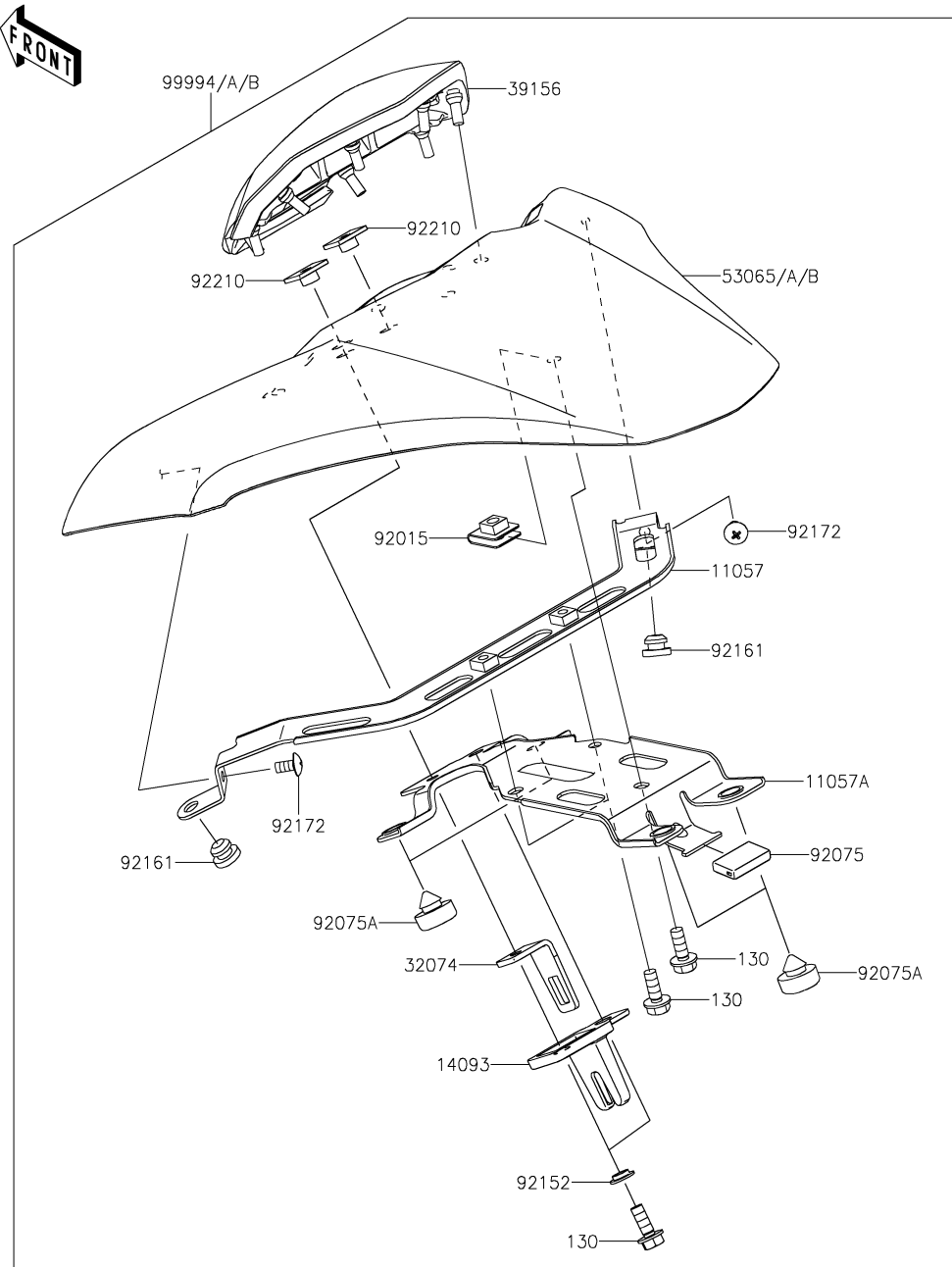
71. Accessory(ENG. Cover Ring and Cap)



Ref. No.	Part No.	Description	Spec Code	Quantity			
				'22	'22	'22	
				FNSNN	FNSBN	FNSCN	
39156	39156-2167	PAD,6X25X1	2	2	2		
39156A	39156-2189	PAD,4X60X2	2	2	2		
92153	92153-1527	BOLT,SOCKET,6X10	4	4	4		
92161	92161-1685	DAMPER,8X22X10	1	1	1		
92161A	92161-1976	DAMPER	2	2	2		
92210	92210-1518	NUT	4	4	4		
99994	99994-0868	KIT-ACCESSORY,ENG. COVER RING	1	1	1		
99994A	99994-0871	KIT-ACCESSORY,SE RAD. SCREEN	1	1	1		
99994B	99994-1018	KIT-ACC,OIL FILLER CAP,WHITE	1	1	1		
99994C	99994-1229	KIT-ACC,OIL FILLER CAP,BLACK	1	1	1		
99994D	99994-1245	KIT-ACC,OIL FILLER CAP,GOLD	1	1	1		
670	670B2020	O RING,20MM	1	1	1		

F2910D

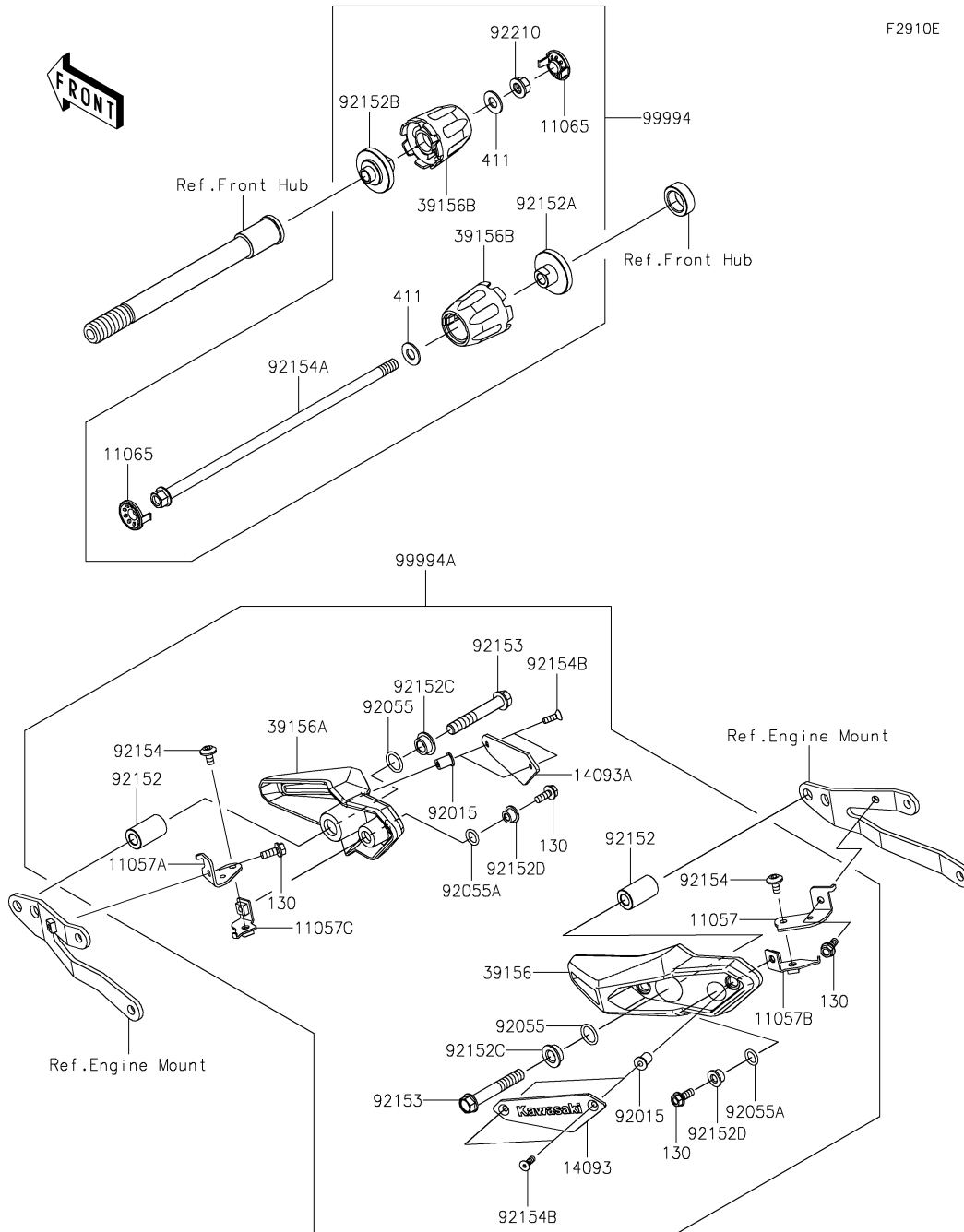
72. Accessory(Pillion Seat Cover)



Ref. No.	Part No.	Description	Spec Code	Quantity				
				'22	'22	'22		
				FNSNN	FNSBN	FNSCN		
11057	11057-0269	BRACKET	1	1	1			
11057A	11057-0270	BRACKET,MOUNT	1	1	1			
14093	14093-0515	COVER	1	1	1			
32074	32074-0017	BRACKET-LOCK	1	1	1			
39156	39156-2122	PAD	1	1	1			
53065	53065-0040-660	COVER SEAT,M.S.BLACK	1	1				
53065A	53065-0040-68N	COVER SEAT,P.R.WHITE		1				
53065B	53065-0040-B1	COVER SEAT,F.RED						1
92015	92015-1531	NUT,CLAMP,6MM	1	1	1			
92075	92075-1446	DAMPER	1	1	1			
92075A	92075-1927	DAMPER,10X20X8	4	4	4			
92152	92152-0250	COLLAR	2	2	2			
92161	92161-1084	DAMPER	2	2	2			
92172	92172-0864	SCREW,5X10	2	2	2			
92210	92210-1352	NUT,PLATE,6MM	2	2	2			
99994	99994-0835-660	PILLION SEAT COVER,M.S.BLK	1	1				
99994A	99994-0835-68N	PILLION SEAT COVER,P.R.WHITE		1				
99994B	99994-0835-B1	PILLION SEAT COVER,F.RED						1
130	130BB0616	BOLT-FLANGED,6X16	5	5	5			

# '22 ZR900 FNSNN/FNSBN/FNSCN

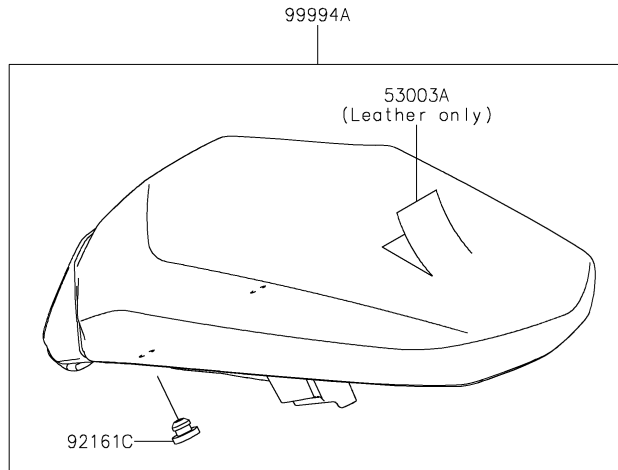
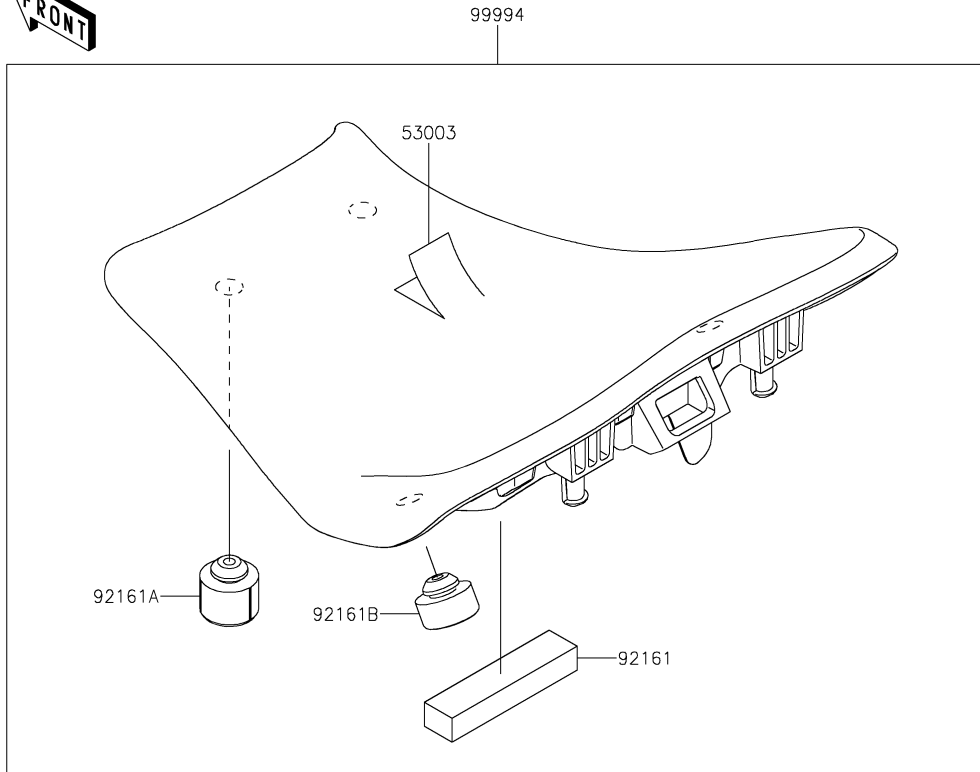
# 73. Accessory(Slider)



Ref. No.	Part No.	Description	Spec Code	Quantity			
				'22	'22	'22	
				FNSNN	FNSBN	FNSCN	
11057	11057-2712	BRACKET,LH	1	1	1		
11057A	11057-2713	BRACKET,RH	1	1	1		
11057B	11057-2714	BRACKET,LH,FR	1	1	1		
11057C	11057-2715	BRACKET,RH,FR	1	1	1		
11065	11065-1313-54N	CAP,B.SILVER	2	2	2		
14093	14093-0516	COVER,LH	1	1	1		
14093A	14093-0517	COVER,RH	1	1	1		
39156	39156-2123	PAD,LH	1	1	1		
39156A	39156-2124	PAD,RH	1	1	1		
39156B	39156-2212	PAD,AXLE SLIDER	2	2	2		
92015	92015-1757	NUT,WELL,5MM	4	4	4		
92055	92055-0884	RING-O,15.8X2.4	2	2	2		
92055A	92055-0885	RING-O,11X2.4	2	2	2		
92152	92152-2268	COLLAR,10.5X20X34	2	2	2		
92152A	92152-2272	COLLAR,LH	1	1	1		
92152B	92152-2273	COLLAR,RH	1	1	1		
92152C	92152-2334	COLLAR,10.5X22X8.1	2	2	2		
92152D	92152-2335	COLLAR,6.5X16X8.1	2	2	2		
92153	92153-1931	BOLT,FLANGED,10X65	2	2	2		
92154	92154-1788	BOLT,SOCKET,6X12	2	2	2		
92154A	92154-2250	BOLT,AXLE,10X300	1	1	1		
92154B	92154-2669	BOLT,SOCKET,5X16	4	4	4		
92210	92210-1139	NUT,LOCK,FLANGED,10MM	1	1	1		
99994	99994-1275	KIT-ACCESSORY,FR AXLE SLIDER	1	1	1		
99994A	99994-1350	SHROUD SLIDER	1	1	1		
130	130CB0616	BOLT-FLANGED,6X16	4	4	4		
411	411AA1000	WASHER-PLAIN,10MM	2	2	2		

# '22 ZR900 FNSNN/FNSBN/FNSCN

F2910F



## 74. Accessory(Seat)

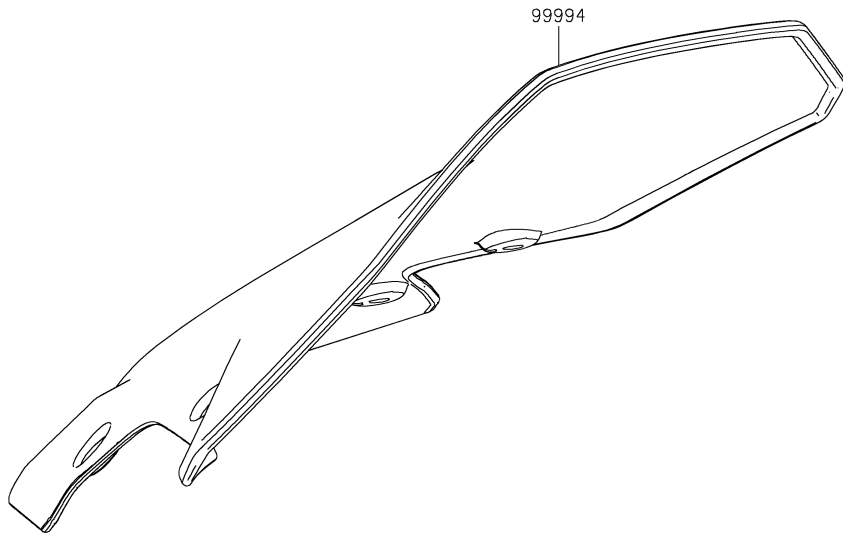
Ref. No.	Part No.	Description	Spec Code	Quantity				
				'22	'22	'22		
				FNSNN	FNSBN	FNSCN		
53003	53003-0432-MA	LEATHER,FR SEAT,BLACK	1	1	1			
53003A	53003-0510-MA	LEATHER,RR SEAT,BLACK	1	1	1			
92161	92161-1867	DAMPER,20X90X15	1	1	1			
92161A	92161-1969	DAMPER,14X30X22	2	2	2			
92161B	92161-1970	DAMPER,14X30X14.5	2	2	2			
92161C	92161-2308	DAMPER	2	2	2			
99994	99994-1347	FR-LOW-SEAT	1	1	1			
99994A	99994-1489	RR-HIGH-SEAT	1	1	1			



'22 ZR900 FNSNN/FNSBN/FNSCN

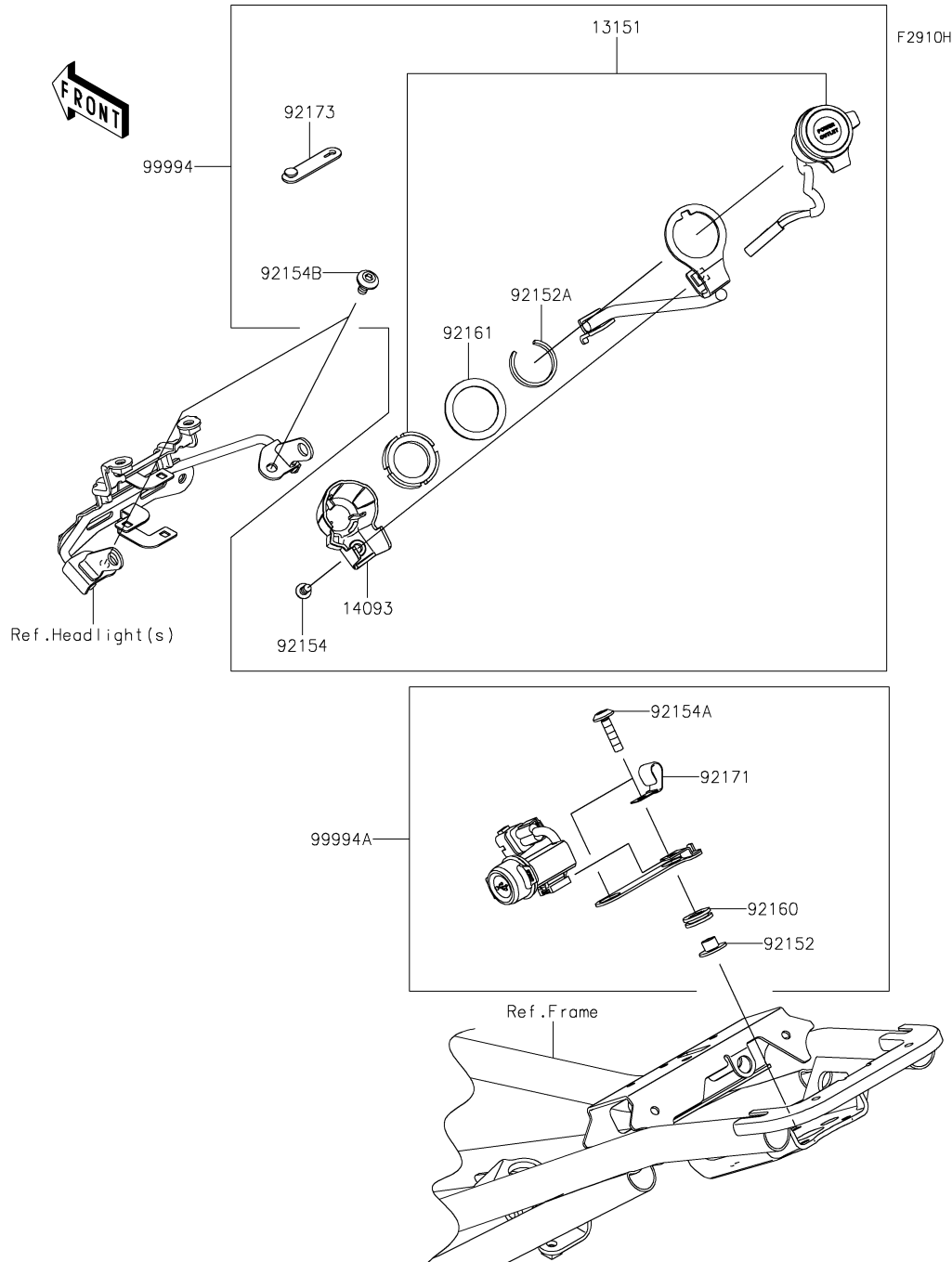
75. Accessory(Large Meter Cover)

F2910G



Ref. No.	Part No.	Description	Spec Code	Quantity				
				'22	'22	'22		
				FNSNN	FNSBN	FNSCN		
99994	99994-1351	LARGE METER COVER		1	1	1		

# '22 ZR900 FNSNN/FNSBN/FNSCN



## 76. Accessory(DC and USB Socket)

Ref. No.	Part No.	Description	Spec Code	Quantity				
				'22	'22	'22		
				FNSNN	FNSBN	FNSCN		
13151	13151-0566	SWITCH-COMP,DC SOCKET	1	1	1			
14093	14093-0212	COVER,SOCKET	1	1	1			
92152	92152-0181	COLLAR	2	2	2			
92152A	92152-2135	COLLAR	1	1	1			
92154	92154-0917	BOLT,SOCKET,5X12	1	1	1			
92154A	92154-1629	BOLT,SOCKET,6X25	2	2	2			
92154B	92154-4100	BOLT,SOCKET,6X12	2	2	2			
92160	92160-1278	DAMPER	2	2	2			
92161	92161-1789	DAMPER	1	1	1			
92171	92171-0652	CLAMP,L=60	1	1	1			
92173	92173-2198	CLAMP	1	1	1			
99994	99994-1352	12V-SOCKET KIT	1	1	1			
99994A	99994-1353	USB-SOCKET KIT	1	1	1			

## '22 ZR900 FNSNN/FNSBN/FNSCN

## Numerical Parts Index

Part No.	Fig No.	Part No.	Fig No.	Part No.	Fig No.	Part No.	Fig No.	Part No.	Fig No.	Part No.	Fig No.
11004-0769	1	12004-0750	6	13107-0214	22	14026-0132	16	18110-0196	5	26011-0986	25
11005-0672	3	12005-0771	6	13107-1376	7	14031-0640	16	21003-0203	23	26011-1888	56
11008-0998	1	12009-0030	6	13107-1377	25	14032-0663	16	21007-0579	24	26011-1901	56
11009-1145	27	12009-1091	6	13127-0674	11	14073-0943	4	21007-0645	45	26012-0730	56
11009-1325	47	12011-1053	6	13128-0698	11	14073-0944	4	21007-0671	42	26031-2851	56
11010-0949	4	12021-0016	2	13140-0061	12	14073-0945	4	21007-0691	23	26031-3777	20
11012-1590	39	12032-0009	6	13140-0062	12	14073-0962	67	21007-5083	57	27002-0029	56
11013-0760	4	12032-0018	6	13144-0579	11	14092-0109	25	21039-0004	25	27002-0050	56
11056-0238	57	12046-0564	7	13145-0568	12	14093-0144	27	21040-0003	25	27003-0121	56
11056-2119	57	12048-0080	7	13151-0566	76	14093-0212	76	21066-0753	23	27005-0696	57
11057-0247	54	12053-0161	7	13159-0008	44	14093-0511	30	21163-0748	25	27008-0558	57
11057-0251	57	12053-0162	7	13161-0592	13	14093-0515	72	21171-0033	24	27010-0722	57
11057-0258	44	12053-0163	7	13168-0115	9	14093-0516	73	21175-1592	20	27010-0762	42
11057-0269	72	120CA0525	20	13187-0031	10	14093-0517	73	21176-0009	20	27010-0770	25
11057-0270	72	120CA0616	26	13194-1096	25	14093-0521	2	21176-0026	20	27010-0849	46
11057-0286	21	120CB0510	25	13216-0020	22	14093-0667	48	21176-0048	20	27010-0937	57
11057-0287	20	120CB0622	42	13234-0038	9	14093-0668	48	21176-0825	12	27010-1313	14
11057-0299	2	120CB0625	46	13236-0068	13	14093-0917	67	21176-0845	12	27016-0008	57
11057-0316	56	13001-0788	3	13236-0140	42	14093-0918	67	21176-0846	12	27016-5386	57
11057-0319	57	13002-0004	3	13236-0783	13	14093-0919	67	21176-0851	20	27048-5240	57
11057-2669	66	13008-0571	3	13236-0784	13	14093-0920	67	21176-0906	18	28012-1077	57
11057-2692	23	13031-0945	8	13239-0581	12	14093-0926-739	30	21176-0911	42	28012-1088	57
11057-2699	56	13041-0559	9	13251-0739-II	8	14093-0927-739	30	21176-0912	45	31064-0692	18
11057-2705	17	13042-0790	33	13262-1233	11	14093-0928-660	50	21181-0023	57	311AA0600	30
11057-2706	17	13042-5024	46	13262-1234	11	14093-0928-H8	50	220AB0525	46	32033-1535	22
11057-2707	17	13045-1057	4	13262-1235	11	14093-0929	50	225AB0412	44	32046-0401	49
11057-2708	17	13070-0795	45	13262-1236	11	14093-0988	16	23001-0048	53	32046-0450	49
11057-2709	17	13087-0583	10	13262-1237	11	16007-0034	6	23016-0639	54	32074-0017	72
11057-2712	73	13088-0568	10	13262-1238	11	16007-0711	10	23025-0361	54	32085-0742	47
11057-2713	73	13089-0023	10	13262-1239	11	16007-1227	6	23037-0460	55	32085-0801	33
11057-2714	73	13089-0024	10	13262-1240	11	16014-0017	18	23037-0461	55	32085-0821	57
11057-2715	73	13089-1073	10	13262-1241	11	16065-0132	1	23037-0466	55	32085-0863	57
11057-3997	67	13089-1084	10	13262-1242	11	16073-0053	25	23037-0467	55	32097-0045	30
11057-3998	67	13089-1115	10	13272-0573	42	16073-1123	18	23062-0894	56	32160-1919-10	28
11061-0107	22	13095-0598	10	13272-0698	14	16082-0810	41	23062-1235	41	32160-1919-18R	28
11061-0402	3	130BA0512	24	13272-0699	14	16085-0134	9	23062-1236	53	32160-1919-46Y	28
11061-0403	16	130BA0514	66	13272-1413	10	16085-0609	25	23062-1237	53	32160-1919-54S	28
11061-0404	16	130BA0610	56	13272-2238	16	16097-0008	22	23062-1238	50	32160-1919-63D	28
11061-0447	5	130BA0610	69	13280-0306	46	16115-1053	16	23062-1240	56	32190-0723-10	29
11061-1213	2	130BA0612	56	13280-0307	46	16126-0740	21	23062-1278	67	32190-0723-18R	29
11061-1214	2	130BA0614	67	13280-0814	25	16126-0745	4	23062-1279	67	32190-0724-10	29
11061-1215	4	130BA0616	56	13280-0880	21	16126-1140	37	23062-1294	56	32190-0724-18R	29
11061-1216	4	130BA0620	70	132BA0612	22	16130-0013	22	25031-0957	50	32190-0831-10	29
11061-1373	5	130BA0622	41	132BA0612	45	16142-0746	22	26006-0001	25	32190-0831-18R	29
11065-0328	2	130BB0616	72	132BC0610	17	16142-0764	22	26006-0001	56	32190-0832-10	29
11065-0973-11G	47	130BB0630	4	132BC0620	27	16154-0708	22	26006-0055	56	32190-0832-18R	29
11065-0980	27	130CB0616	73	132BC0660	22	16160-0796	22	26006-1080	25	32190-0843	29
11065-1313-54N	73	130CC0616	17	14001-0725	14	16163-1164	18	26006-1080	56	32190-0844	29
11065-1366-58Z	47	13102-0075	10	14013-1051	14	16164-0012	21	26011-0275	56	33001-0732-10	31
112BB0645	46	13107-0157	7	14014-0036	14	18018-0603	16	26011-0972	56	33001-0732-18R	31

## '22 ZR900 FNSNN/FNSBN/FNSCN

## Numerical Parts Index

Part No.	Fig No.	Part No.	Fig No.	Part No.	Fig No.	Part No.	Fig No.	Part No.	Fig No.	Part No.	Fig No.
33032-0055	31	39156-2167	71	42045-018	39	44026-0261	47	49118-0942	7	55020-1962	30
33040-1109	31	39156-2177	30	43001-0749	40	44037-0167-18R	47	49118-0979	7	55020-1963	30
34024-0141-18R	36	39156-2179	35	43010-0020	44	44039-0167-18R	47	49134-0016-51P	67	55020-1966	5
34028-0349	33	39156-2180	35	43015-0650	44	44041-040	47	49134-0016-660	67	55020-1967	5
34028-0350	33	39156-2181	52	43015-0703	42	44065-0042	47	49134-0016-68P	67	55027-5209-68N	66
34028-0351	33	39156-2189	71	43020-0008	42	44065-1114	47	49134-0016-H8	67	55027-5215-660	66
34028-0366	33	39156-2191	48	43020-1094	44	44071-1433-58Z	47	49134-0017-51P	67	55028-0703-68M	66
34028-0367	33	39156-2192	48	43022-1010	42	44071-1434-58Z	47	49134-0017-660	67	55028-0703-68N	66
35019-0677	35	39156-2194	48	43026-0009	44	44071-1494	47	49134-0017-68P	67	55028-0703-739	66
35019-0678	35	39156-2195	48	43026-0019	42	44071-1495	47	49134-0017-H8	67	55028-0703-B1	66
35023-0421	35	39156-2212	73	43027-0008	42	45014-0646	32	51001-0895-660	48	55028-0704	66
35023-0432	35	39156-2215	48	43027-1053	44	46003-0752-18R	46	51026-0013	48	55028-0705	66
35023-0474	35	39156-2217	30	43028-0015	42	46012-0396-18R	46	51026-5175-68N	48	55028-0706-51P	66
35038-0023-660	34	39156-2509	30	43028-1065	44	46012-0411-18R	46	51026-5176-68N	48	55028-0706-660	66
35038-0023-B1	34	39156-2535	30	43034-0049	42	46019-0060	46	51026-5179-739	48	55028-0706-68P	66
35038-5215-660	34	39156-2543	30	43044-0082	45	46075-0564	46	51026-5180-739	48	55028-0706-H8	66
35038-5250-68N	34	39156-2583	56	43045-1053	43	46076-0122	46	51026-5181-68M	48	55028-0707-51P	66
35063-1364	26	39156-2584	56	43048-0001	43	46091-0492	46	51026-5182-68M	48	55028-0707-660	66
35063-1399-18R	30	39156-2727	53	43048-0008	45	46091-0500	46	51026-5183-660	48	55028-0707-68P	66
35063-1452-18R	30	39156-2728	53	43048-0021	43	46092-0569	46	51026-5184-660	48	55028-0707-H8	66
35063-1453-18R	30	39156-2729	56	43049-0006	43	46102-0621	10	51026-5191-B1	48	55028-0708-660	17
35063-1454-18R	30	39178-0368	5	43049-0007	43	461DB0500	25	51026-5192-B1	48	55028-0708-H8	17
36001-0685-660	48	39188-0564	52	43049-0030	43	480J1100	22	51026-5197-68N	48	55028-0709-660	17
36001-0685-H8	48	39188-0583	30	43049-0031	43	480J1400	13	51026-5198-68N	48	55028-0709-H8	17
36001-0686-660	48	39188-0587	30	43056-1055	43	482EA0100	33	51044-0863	19	550AA2015	44
36001-0686-H8	48	39188-0590	30	43056-1055	45	482EA5000	33	51049-0735	48	550AA4040	39
36042-5307-660	52	39192-0631	27	43057-1001	43	482J0200	13	51092-5171-51P	48	551A0408	22
36042-5308-68N	52	39192-0644	27	43057-1001	45	49002-0009	1	51092-5233-B1	48	551A0814	16
36042-5341-660	52	39193-0054	14	43058-1100	43	49006-0058	45	51092-5312-68P	48	56001-0299	46
36042-5343-660	52	41009-0829	37	43058-1100	45	49006-1242	45	52005-1120	16	56001-0300	46
36042-5346-660	52	41009-0859	37	43078-0060	44	49016-0638	26	53003-0432-MA	74	56007-0171	58
36042-5367-B1	52	41068-0618	38	43080-0130-DJ	43	49016-0639	26	53003-0433-MA	49	56008-0036	58
39007-0403	32	41068-0619	39	43080-0131-DJ	43	49016-0683	48	53003-0495-MA	49	56030-1344	59
39061-0813	26	41073-0706-153	39	43080-0156-DJ	45	49016-0689	56	53003-0510-MA	74	56033-0884	59
39062-0618	27	41073-0706-QT	39	43082-0151	45	49016-1044	42	53003-0638-MA	49	56053-1695	59
39062-0758	27	41073-0713-153	38	43082-0195	43	49016-1103	44	53003-0640-MA	49	56054-1356	60
39062-0785	27	41073-0713-QT	38	43093-0006	27	49033-0034	18	53044-0031	69	56054-1356	61
39062-0786	27	41075-0007	37	43094-0009	46	49034-0578	17	53044-0577	30	56054-1356	62
39062-0887	27	41075-0008	37	43095-0970	41	49040-0756	19	53065-0040-660	72	56054-1356	63
39062-0890	27	41075-0009	37	43095-1432	44	49047-0644	12	53065-0040-68N	72	56054-1412	64
39110-0033	13	41080-0668	45	43095-1680	41	49054-0004	27	53065-0040-B1	72	56054-1413	60
39111-0370	32	41080-0710-111	43	43095-1682	41	49056-0049	18	53066-0655-MA	49	56054-1413	61
39156-2122	72	410AB0600	46	43095-1685	44	49063-1055	22	53066-0668-12Y	49	56054-1413	62
39156-2123	73	411AA1000	73	43095-1686	44	49065-0026	22	53066-0831-MA	49	56054-1413	63
39156-2124	73	42033-0570	39	44008-0100-499	47	49069-0861	5	53066-0835-12Y	49	56054-1413	65
39156-2129	20	42036-0050	45	44008-0101	47	49078-0073	6	54010-0614	51	56054-1562	64
39156-2130	5	42036-0842	31	44013-0292	47	49078-0743	6	54011-0644	51	56054-2582	48
39156-2131	5	42036-1251	39	44013-0371	47	49085-0006	26	54012-0646	51	56054-3776	60
39156-2147	48	42036-1342	32	44018-0003	47	49091-0001	41	54012-0647	51	56054-3776	61
39156-2148	48	42041-0158	39	44023-0171	47	49091-0001	44	55020-1961	31	56054-3776	62

## '22 ZR900 FNSNN/FNSBN/FNSCN

## Numerical Parts Index

Part No.	Fig No.	Part No.	Fig No.	Part No.	Fig No.	Part No.	Fig No.	Part No.	Fig No.	Part No.	Fig No.
56054-3790	65	56076-3924	63	610A0406	12	92022-1628	13	92043-1262	22	92055-0741	44
56054-3791	65	56076-3925	63	610A0410	9	92022-1868	10	92043-1263	17	92055-0761	18
56054-3806	65	56076-3926	63	670B2020	16	92022-1977	50	92043-1263	22	92055-0785	2
56071-0158	59	56076-3927	63	670B2020	71	92022-263	54	92043-1264	1	92055-0831	27
56071-0695	59	56076-3928	63	670D1505	14	92022-304	3	92043-1264	14	92055-086	7
56076-2166	63	56076-3929	63	670D1509	7	92022-326	40	92043-1690	14	92055-0884	73
56076-2167	61	56076-3930	63	670D2014	17	92025-1137	10	92043-1746	33	92055-0885	73
56076-2660	62	56076-3931	63	670D2014	7	92026-0045	47	92043-4009	2	92055-1020	21
56076-2661	62	56076-3932	63	670E2022	10	92026-0082	9	92045-0003	11	92055-1276	25
56076-2662	62	56076-3933	63	670E5075	19	92026-022	10	92045-0017	31	92055-1339	14
56076-2663	62	56076-3934	61	671B2560	39	92026-0896	47	92045-0820	38	92055-1370	25
56076-2664	62	56076-3935	61	92002-1154	22	92026-1497	10	92045-0821	39	92055-1503	22
56076-2665	62	56076-3936	61	92002-1322	42	92027-1045	57	92045-1045	12	92055-1536	1
56076-2666	62	56076-3937	61	92002-1323	42	92027-1183	48	92045-1384	28	92055-1571	22
56076-2667	62	56076-3938	61	92002-1796	16	92027-1651	41	92046-0008	31	92055-2187	18
56076-3855	60	56076-3939	61	92004-0048	39	92027-1651	67	92046-0034	16	92055-3018	22
56076-3865	64	56076-3940	61	92004-0050	1	92028-1282	40	92046-0043	14	92057-0202	7
56076-3866	64	56076-3941	61	92005-0826	1	92028-1739	11	92046-1052	10	92057-0672	39
56076-3867	64	56076-3952	60	92005-0842	27	92028-1915	11	92046-1219	11	92058-0041	39
56076-3868	64	56076-3953	60	92005-0846	27	92033-0079	44	92046-1263	10	92062-0040	14
56076-3869	64	56076-3954	60	92005-1238	14	92033-015	11	92046-1266	9	92062-0046	14
56076-3870	64	56076-3955	60	92005-1380	18	92033-026	11	92046-1273	32	92065-097	17
56076-3871	64	56076-3956	60	92009-1134	46	92033-1036	47	92046-1303	11	92066-0032	47
56076-3872	64	56076-3957	60	92009-1984	20	92033-1041	31	92048-0016	11	92066-0079	17
56076-3873	64	56076-3958	60	92009-3845	57	92033-1043	39	92048-0018	25	92066-0832	1
56076-3874	64	56076-3959	60	92015-1180	29	92033-1054	3	92049-0073	47	92066-0836	14
56076-3875	64	56076-4077	65	92015-1191	46	92033-1186	44	92049-0130	38	92066-0919	55
56076-3876	64	56076-4108	65	92015-1197	46	92033-1249	11	92049-0131	28	92066-0981	28
56076-3877	64	56076-4109	65	92015-1311	8	92037-1124	18	92049-0132	31	92070-0014	24
56076-3878	64	56076-4110	65	92015-1367	21	92037-147	21	92049-0137	28	92071-0024	25
56076-3879	64	56076-4111	65	92015-1367	70	92037-147	27	92049-0140	39	92071-0038	49
56076-3880	64	56076-4112	65	92015-1476	25	92037-1505	27	92049-0798	22	92072-0865	30
56076-3881	64	56076-4113	65	92015-1487	5	92037-1712	4	92049-1223	32	92072-1414	56
56076-3882	64	56076-4114	65	92015-1528	42	92039-0014	56	92049-1287	39	92075-1123	26
56076-3883	64	56076-4115	65	92015-1531	72	92039-0015	56	92049-1349	6	92075-1409	30
56076-3884	64	57001-1752	60	92015-1555	10	92039-0051	67	92049-1380	31	92075-1446	72
56076-3885	64	57001-1752	61	92015-1671	23	92039-0068	67	92049-1448	43	92075-1564	57
56076-3886	64	57001-1752	62	92015-1671	67	92039-0086	35	92049-1449	45	92075-1634	17
56076-3911	63	57001-1752	63	92015-1757	48	92039-0752	34	92049-1450	45	92075-1912	20
56076-3913	62	57001-1752	64	92015-1757	50	92039-1105	59	92049-1474	14	92075-1927	72
56076-3914	63	57001-1752	65	92015-1757	73	92039-1289	26	92049-1475	16	92075-277	41
56076-3915	63	57001-1836	63	92015-1795	47	92041-1060	46	92049-1520	14	92075-277	49
56076-3916	63	57001-1836	64	92015-1962	46	92042-007	1	92049-2204	9	92075-277	67
56076-3917	63	59026-0049	24	92022-077	22	92042-007	16	92055-0016	20	92081-1708	13
56076-3918	63	59051-0762	25	92022-1088	46	92042-030	22	92055-0021	27	92092-1058	32
56076-3919	63	59071-0022	18	92022-1116	10	92043-0137	45	92055-0114	27	92092-1081	5
56076-3920	63	59256-0555	22	92022-112	11	92043-0200	33	92055-0136	25	92092-1087	5
56076-3921	63	59502-0614	26	92022-1282	40	92043-0820	45	92055-0145	47	92093-1030	48
56076-3922	63	600A0500	11	92022-1298	47	92043-0904	44	92055-0199	16	92093-1472	47
56076-3923	63	601B6205UU	39	92022-1521	17	92043-1037	14	92055-0739	27	92104-0004	58

## '22 ZR900 FNSNN/FNSBN/FNSCN

## Numerical Parts Index

Part No.	Fig No.	Part No.	Fig No.	Part No.	Fig No.	Part No.	Fig No.	Part No.	Fig No.	Part No.	Fig No.
92104-1064	58	92151-1539	15	92153-0549	24	92154-1429	26	92154-4289	48	92161-1432	30
92104-2068	58	92151-1626	23	92153-0627	41	92154-1629	76	92154-4290	48	92161-1468	48-1
92106-0004	58	92151-1654	17	92153-0627	44	92154-1788	73	92154-4291	48-1	92161-1475	5
92107-0019	58	92151-1764	27	92153-0628	41	92154-1796	9	92154-4292	49	92161-1490	47
92110-0057	58	92151-1829	7	92153-0649	47	92154-1838	13	92154-4294	52	92161-1685	71
92110-0567	58	92151-1873	16	92153-0656	1	92154-1850	27	92154-4294	66	92161-1789	76
92110-1015	58	92151-1930	25	92153-1045	15	92154-1887	14	92154-4294	67	92161-1867	49
92139-0023	13	92151-1930	7	92153-1089	43	92154-1888	16	92154-4295	30	92161-1867	74
92139-0032	8	92151-1930	9	92153-1093	43	92154-1893	70	92154-4295	67	92161-1913	49
92139-0033	8	92151-1997	27	92153-1094	43	92154-1942	7	92154-4297	29	92161-1917	54
92139-0034	8	92152-0181	76	92153-1505	13	92154-2090	13	92154-4298	41	92161-1969	49
92139-0067	10	92152-0237	5	92153-1527	71	92154-2096	12	92154-4298	56	92161-1969	74
92139-0122	8	92152-0250	72	92153-1588	27	92154-2154	41	92154-4299	44	92161-1970	49
92139-0123	8	92152-0547	4	92153-1637	15	92154-2154	57	92154-4300	47	92161-1970	74
92139-0124	8	92152-0604	50	92153-1779	2	92154-2204	32	92154-4301	48-1	92161-1971	67
92139-0217	8	92152-0667	26	92153-1826	45	92154-2207	57	92154-4301	50	92161-1976	71
92139-0218	8	92152-1167	7	92153-1837	5	92154-2250	73	92154-4302	36	92161-2082	33
92139-0219	8	92152-1383	13	92153-1850	25	92154-2251	29	92154-4304	31	92161-2235	20
92139-0280	11	92152-1562	20	92153-1866	25	92154-2252	29	92154-4305	50	92161-2250	49
92139-0281	11	92152-1562	54	92153-1931	73	92154-2334	30	92154-4306	53	92161-2252	53
92140-0008	33	92152-1585	39	92154-0205	1	92154-2335	19	92154-4307	53	92161-2308	49
92143-1353	53	92152-1602	5	92154-0287	17	92154-2340	5	92154-4309	53	92161-2308	74
92143-1379	46	92152-2135	76	92154-0299	14	92154-2355	56	92154-4311	45	92161-2389	13
92143-1595	13	92152-2227	38	92154-0351	2	92154-2355	57	92154-4351	28	92170-1060	4
92144-1467	46	92152-2248	36	92154-0372	15	92154-2448	25	92160-1162	4	92170-1091	44
92145-0184	43	92152-2249	38	92154-0403	27	92154-2638	1	92160-1167	48-1	92170-1493	27
92145-0493	45	92152-2250	39	92154-0440	46	92154-2639	15	92160-1167	50	92170-3749	18
92145-0562	36	92152-2252	48	92154-0477	12	92154-2640	15	92160-1167	53	92171-0290	17
92145-0723	33	92152-2263	11	92154-0484	14	92154-2650	23	92160-1278	76	92171-0534	17
92145-0893	40	92152-2268	73	92154-0505	57	92154-2652	16	92160-1613	17	92171-0573	21
92145-1122	13	92152-2272	73	92154-0776	23	92154-2660	34	92160-1613	50	92171-0652	56
92145-1319	33	92152-2273	73	92154-0776	49	92154-2667	35	92161-0037	46	92171-0652	76
92145-1745	10	92152-2274	57	92154-0784	42	92154-2667	56	92161-0070	22	92171-0729	1
92145-1769	10	92152-2287	30	92154-0784	45	92154-2669	73	92161-0117	57	92171-0782	51
92145-1872	13	92152-2306	70	92154-0829	66	92154-2673	26	92161-0118	57	92171-0818	41
92145-2219	57	92152-2334	73	92154-0838	33	92154-2678	30	92161-0204	5	92171-1722	21
92150-1019	14	92152-2335	73	92154-0840	29	92154-2682	54	92161-0342	39	92171-1722	56
92150-1125	32	92152-2339	52	92154-0844	43	92154-2683	46	92161-0365	48-1	92172-0183	46
92150-1154	17	92152-2342	48	92154-0844	45	92154-2685	44	92161-0588	30	92172-0262	66
92150-1216	8	92152-2354	30	92154-0856	5	92154-2738	5	92161-0588	48-1	92172-0320	42
92150-1251	15	92152-2432	35	92154-0917	76	92154-2801	42	92161-0588	67	92172-0334	25
92150-1483	15	92152-2596	33	92154-0935	40	92154-4070	29	92161-0673	18	92172-0483	4
92150-1487	29	92152-2616	49	92154-0987	5	92154-4100	76	92161-0685	48-1	92172-0823	21
92150-1684	33	92152-2682	30	92154-1050	23	92154-4121	41	92161-0776	54	92172-0828	18
92150-1794	15	92152-2694	49	92154-1055	44	92154-4122	29	92161-0864	30	92172-0864	48-1
92150-1891	26	92152-2698	39	92154-1116	10	92154-4191	50	92161-1055	9	92172-0864	54
92151-1135	16	92152-2781	31	92154-1138	41	92154-4285	35	92161-1084	72	92172-0864	56
92151-1149	31	92153-0406	1	92154-1138	44	92154-4286	30	92161-1228	5	92172-0864	67
92151-1225	17	92153-0446	13	92154-1192	5	92154-4287	35	92161-1367	66	92172-0864	72
92151-1344	3	92153-0506	47	92154-1281	5	92154-4289	30	92161-1369	54	92172-0901	16

## '22 ZR900 FNSNN/FNSBN/FNSCN

## Numerical Parts Index

Part No.	Fig No.	Part No.	Fig No.	Part No.	Fig No.	Part No.	Fig No.	Part No.	Fig No.	Part No.	Fig No.
92172-1140	46	92180-1044	6	92200-1720	11	99994-1018	71				
92172-1194	52	92180-1046	6	92200-1836	32	99994-1229	71				
92172-1425	35	92180-1048	6	92200-1849	5	99994-1245	71				
92172-1426	55	92180-1050	6	92200-1880	34	99994-1275	73				
92172-1427	54	92180-1052	6	92200-1887	52	99994-1347	74				
92173-0284	5	92180-1054	6	92200-1888	30	99994-1350	73				
92173-0736	21	92190-1253	4	92200-1941	11	99994-1351	75				
92173-0736	56	92191-1551	18	92200-1942	11	99994-1352	76				
92173-0861	48-1	92192-0843	4	92200-2286	30	99994-1353	76				
92173-0861	56	92192-1349	18	92200-2286	48-1	99994-1472	68				
92173-0868	51	92192-1446	18	92200-2286	50	99994-1489	74				
92173-1022	56	92192-1447	18	92200-2286	67	99999-0522	19				
92173-1201	22	92192-1617	18	92200-2390	30						
92173-1321	16	92192-1688	48-1	92200-2479	33						
92173-1360	27	92192-1690	21	92200-2480	34						
92173-1429	56	92192-1691	21	92200-2481	29						
92173-1600	34	92192-1692	4	92200-3807	18						
92173-1601	34	92192-1693	4	92210-0007	57						
92173-1613	41	92192-1779	21	92210-0076	5						
92173-1613	44	92192-1802	18	92210-0188	25						
92173-1634	41	92192-1803	18	92210-0276	39						
92173-1637	45	92192-1804	18	92210-0320	31						
92173-1663	27	92192-1805	18	92210-0324	31						
92173-1724	10	92200-0043	33	92210-0534	28						
92173-2077	53	92200-0085	47	92210-0535	28						
92173-2106	41	92200-0115	15	92210-0571	66						
92173-2107	45	92200-0174	13	92210-0784	36						
92173-2115	44	92200-0228	11	92210-0850	11						
92173-2198	46	92200-0265	13	92210-0933	70						
92173-2198	56	92200-0369	23	92210-0935	54						
92173-2198	76	92200-0386	25	92210-1100	13						
92173-2199	56	92200-0410	22	92210-1101	13						
92173-2419	20	92200-0556	15	92210-1139	32						
92173-2442	48-1	92200-0753	28	92210-1139	5						
92173-2484	4	92200-0766	70	92210-1139	73						
92180-1014	6	92200-0780	57	92210-1323	26						
92180-1016	6	92200-0781	28	92210-1352	72						
92180-1018	6	92200-0855	55	92210-1518	71						
92180-1020	6	92200-1009	22	92210-1575	31						
92180-1022	6	92200-1087	4	92210-1869	31						
92180-1024	6	92200-1087	48-1	99994-0803	69						
92180-1026	6	92200-1239	11	99994-0832	68						
92180-1028	6	92200-1240	11	99994-0833	68						
92180-1030	6	92200-1375	11	99994-0835-660	72						
92180-1032	6	92200-1377	5	99994-0835-68N	72						
92180-1034	6	92200-1487	10	99994-0835-B1	72						
92180-1036	6	92200-1489	39	99994-0848	70						
92180-1038	6	92200-1522	11	99994-0868	71						
92180-1040	6	92200-1523	11	99994-0871	71						
92180-1042	6	92200-1691	1	99994-0986	69						

**'22 ZR900 FNSNN/FNSBN/FNSCN****Part Name Index**

Accessory(DC and USB Socket)	76	Fuel Evaporative System	21
Accessory(ENG. Cover Ring and Cap)	71	Fuel Injection	20
Accessory(Extended Flap)	70	Fuel Pump	19
Accessory(Large Meter Cover)	75	Fuel Tank	48/48-1
Accessory(Pillion Seat Cover)	72	Gear Change Drum/Shift Fork(s)	12
Accessory(Seat)	74	Gear Change Mechanism	13
Accessory(Slider)	73	Generator	23
Accessory(Tank Bag)	69	Handlebar	46
Accessory(Tank Pads and Meter Film)	68	Headlight(s)	53
Air Cleaner	4	Ignition Switch	57
Balancer	9	Ignition System	24
Brake Pedal	40	Labels	59
Brake Piping	41	Meter(s)	50
Cables	51	Muffler(s)	5
Camshaft(s)/Tensioner	7	Oil Pan	17
Chassis Electrical Equipment	56	Oil Pump	22
Clutch	10	Owner's Tools	58
Cowling	66	Radiator	26
Crankcase	14	Rear Brake	45
Crankcase Bolt Pattern	15	Rear Fender(s)	35
Crankshaft	8	Rear Hub	39
Cylinder Head	1	Rear Master Cylinder	44
Cylinder Head Cover	2	Seat	49
Cylinder/Piston(s)	3	Seat Cover	52
Decals(Black)(FNSNN)	61	Shroud	67
Decals(Blue)(FNSNN)	60	Stand(s)	36
Decals(Green)(FNSBN)	63	Starter Motor	25
Decals(Red)(FNSCN)	65	Suspension/Shock Absorber	32
Decals(White)(FNSBN)	64	Swingarm	31
Decals(White)(FNSNN)	62	Taillight(s)	54
Engine Cover(s)	16	Throttle	18
Engine Mount	29	Tires	37
Footrests	33	Transmission	11
Frame	28	Turn Signals	55
Frame Fittings	30	Valve(s)	6
Front Brake	43	Water Pipe	27
Front Fender(s)	34		
Front Fork	47		
Front Hub	38		
Front Master Cylinder	42		





**'22 ZR900 FNSNN/FNSBN/FNSCN(SE)**

**(Z900)**