

Parts Catalogue

Z400(CL)

2022

ER400DNFNN



Kawasaki

Let the good times roll

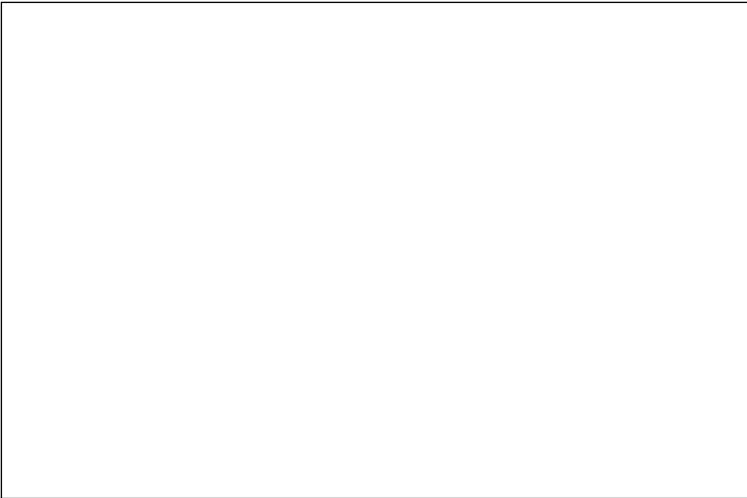
'22 ER400 DNFNN

Model Information

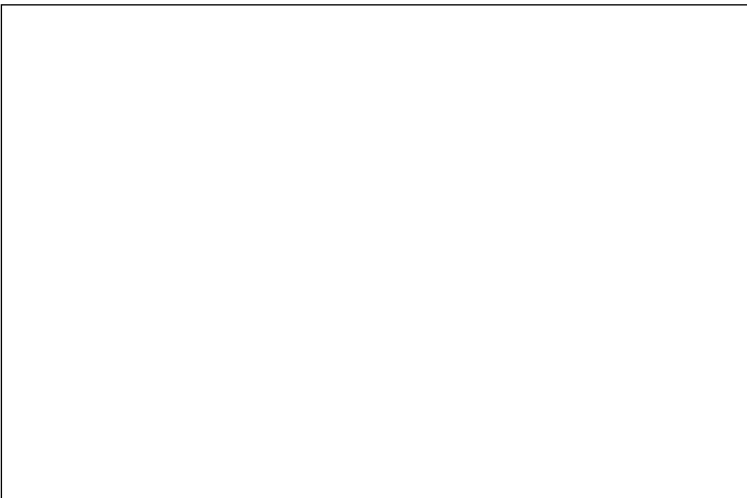
Year & Model	'22 ER400DNFNN
Color	1.CANDY LIME GREEN TYPE 3(51P) 2.METALLIC SPARK BLACK(660) 3.PEARL ROBOTIC WHITE(68N)

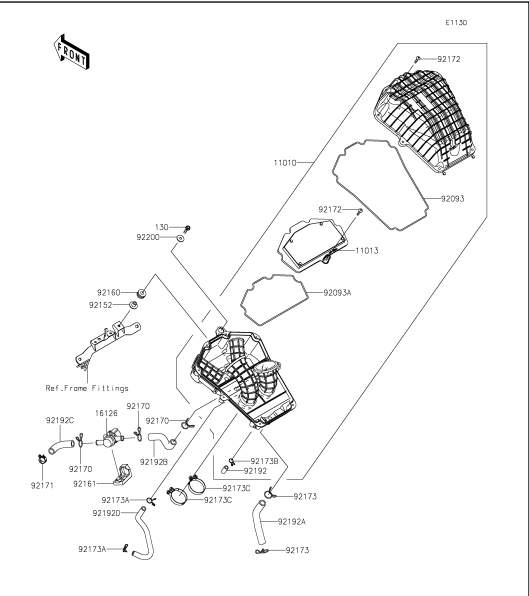
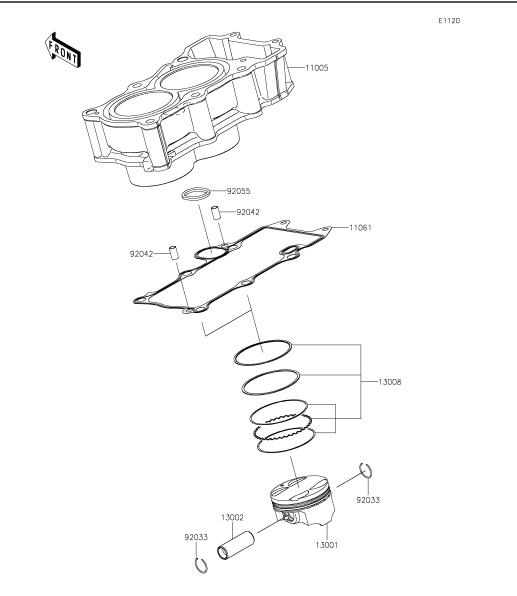
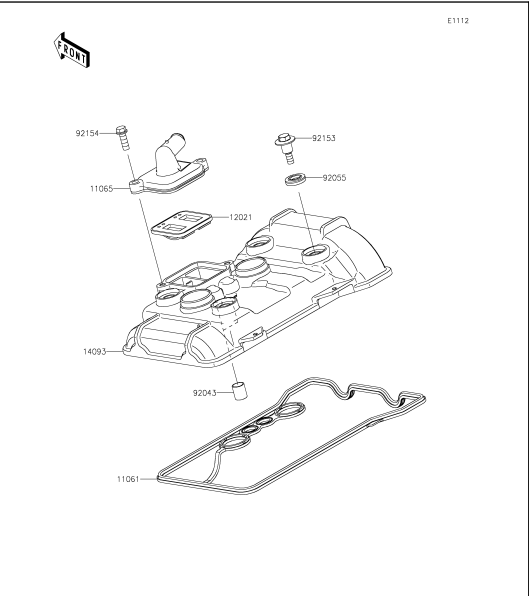
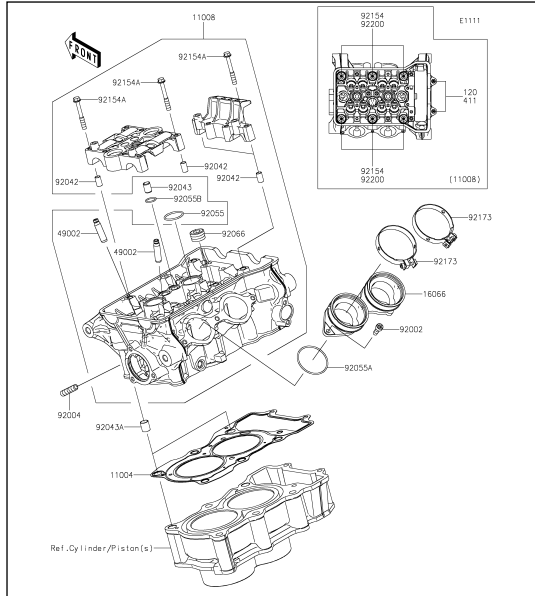
ER400DNFNN

Left Side View



Right Side View



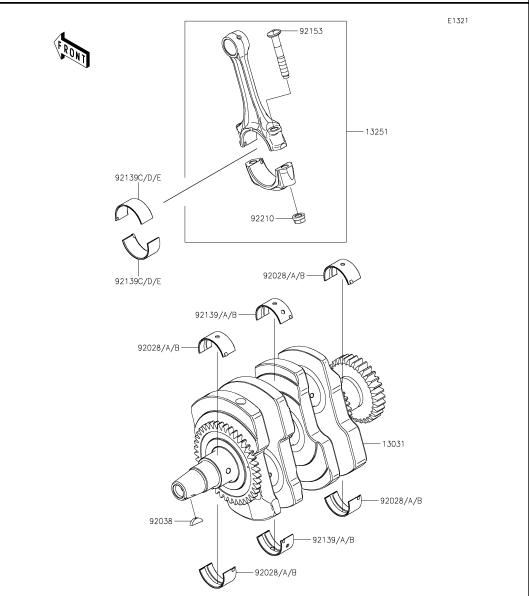
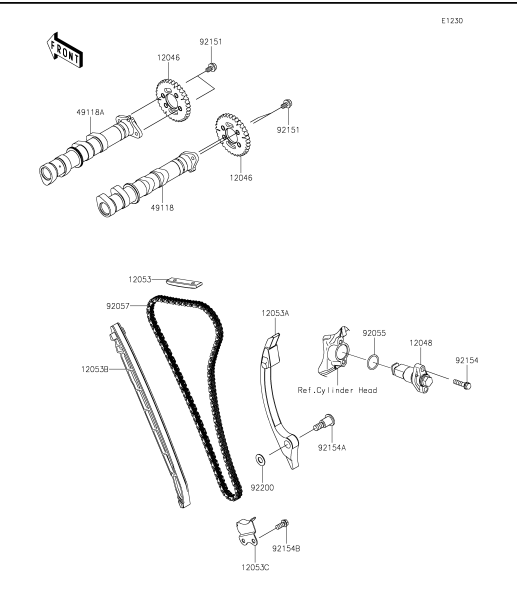
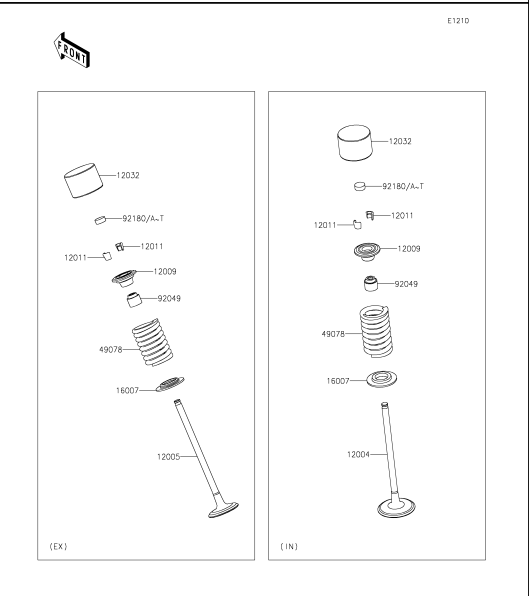
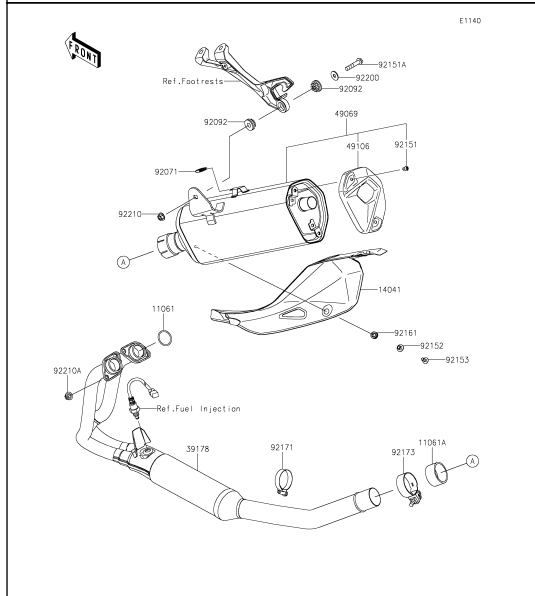


1 Cylinder Head

2 Cylinder Head Cover

3 Cylinder/Piston(s)

4 Air Cleaner

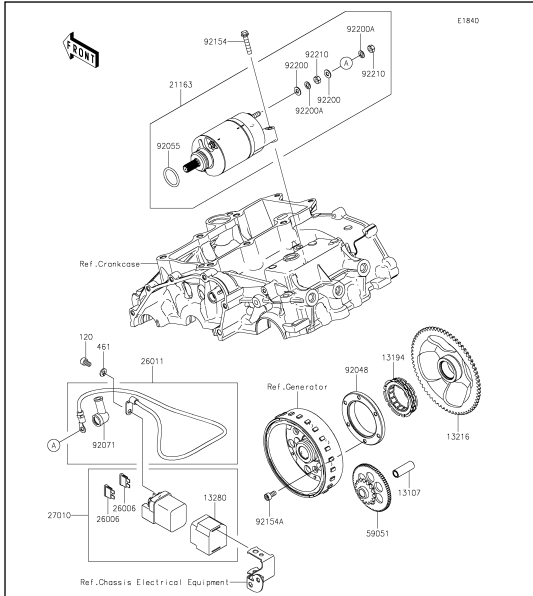


5 Muffler(s)

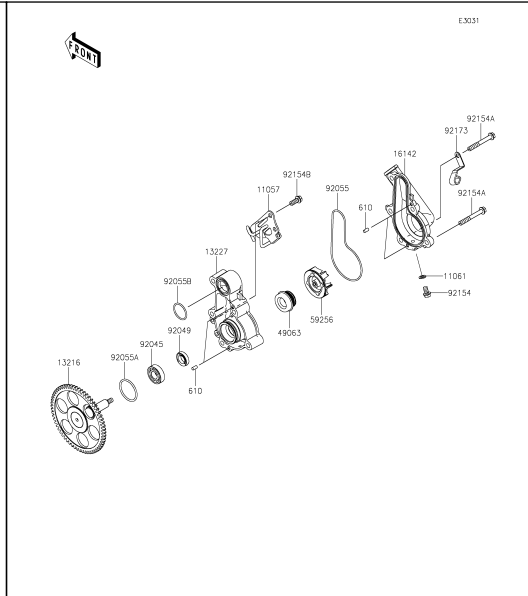
6 Valve(s)

7 Camshaft(s)/Tensioner

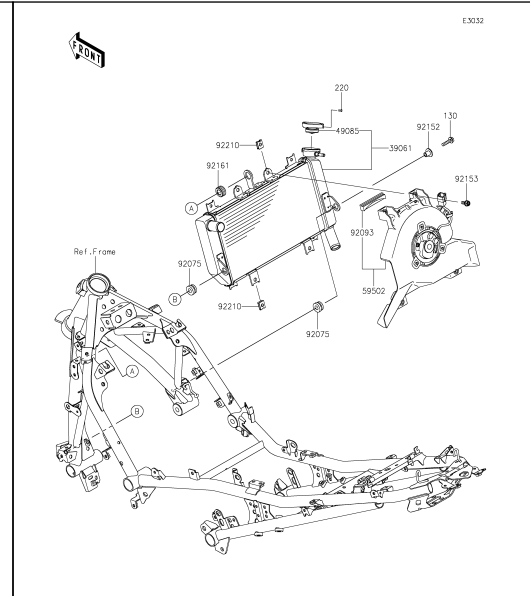
8 Crankshaft



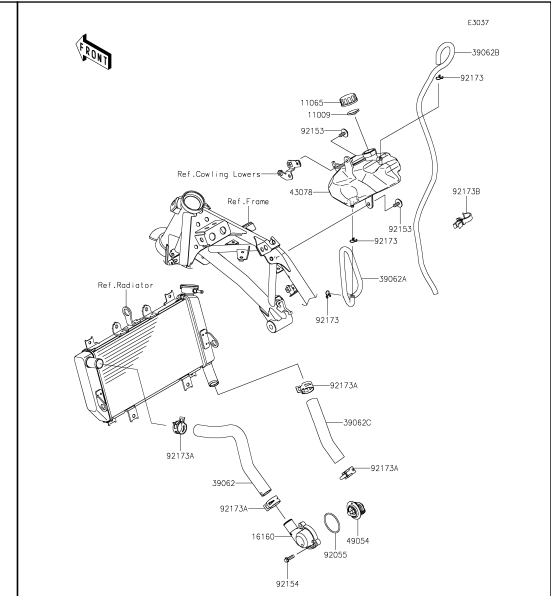
25 Starter Motor



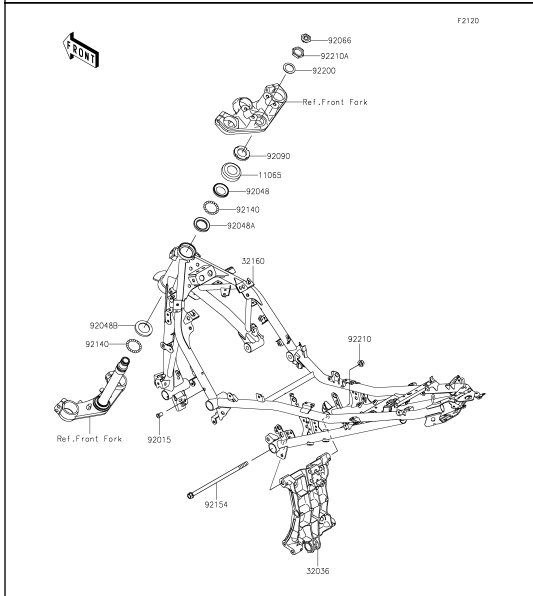
26 Water Pump



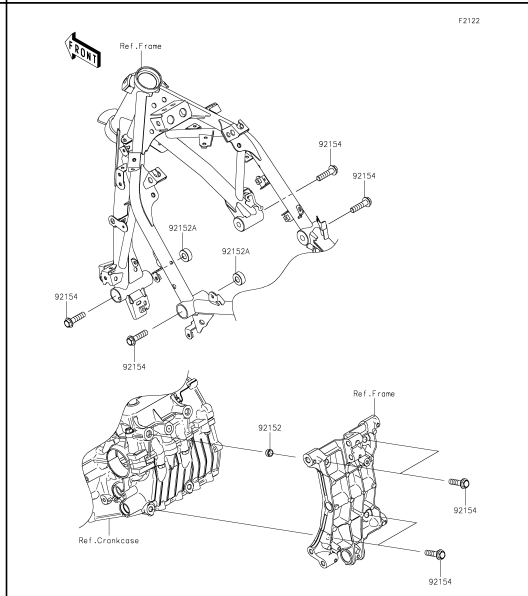
27 Radiator



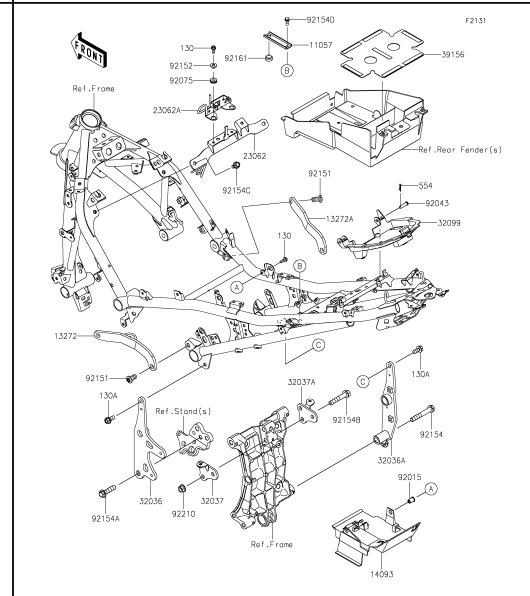
28 Water Pipe



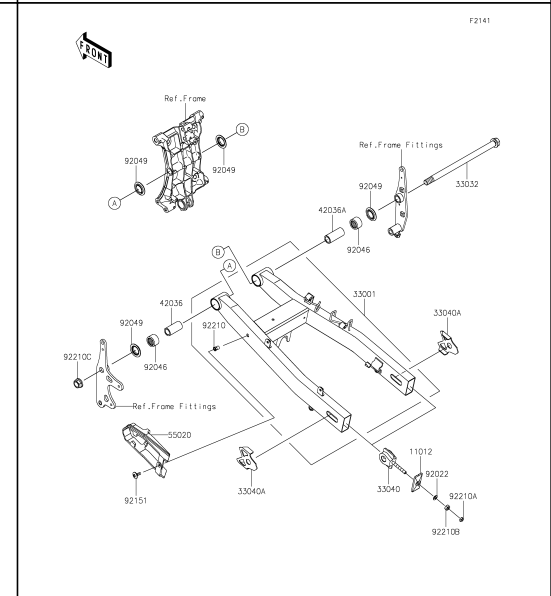
29 Frame



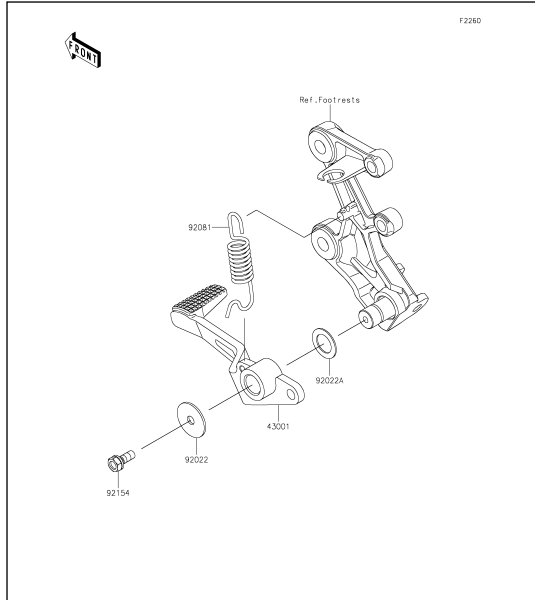
30 Engine Mount



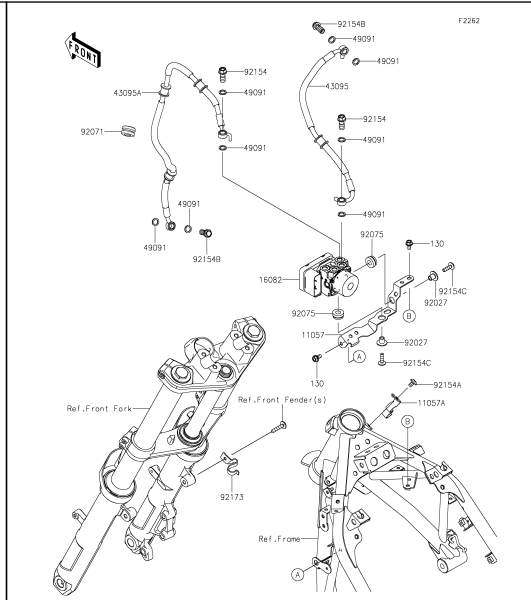
31 Frame Fittings



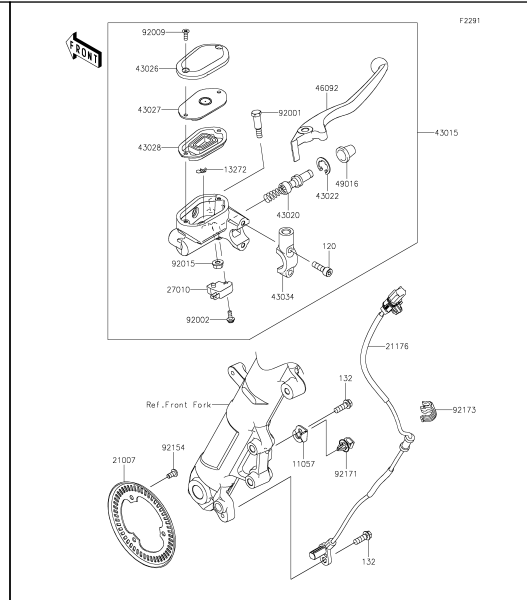
32 Swingarm



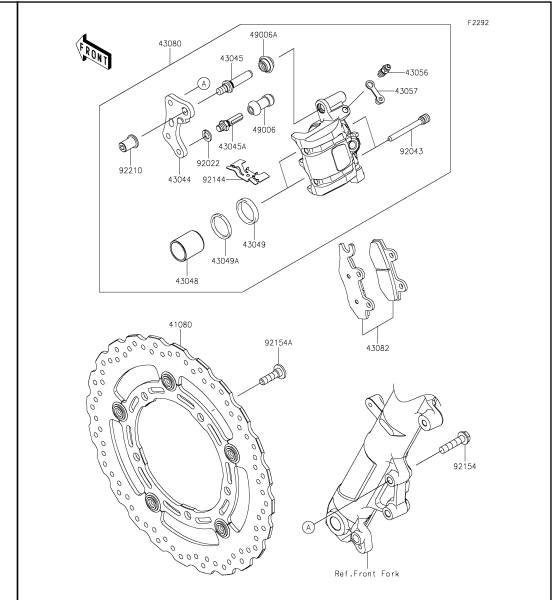
41 Brake Pedal



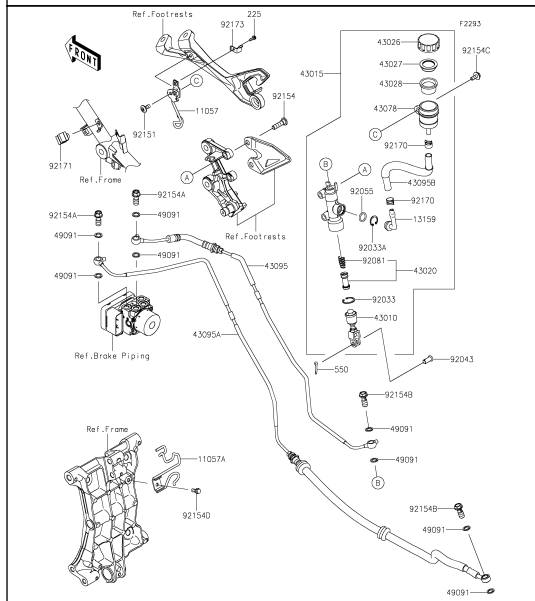
42 Brake Piping



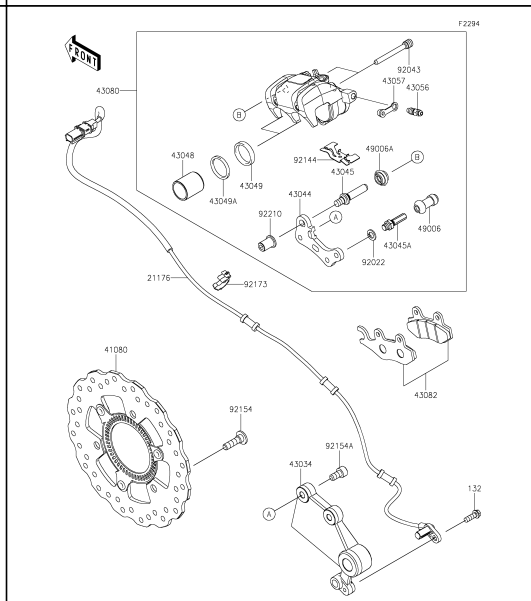
43 Front Master Cylinder



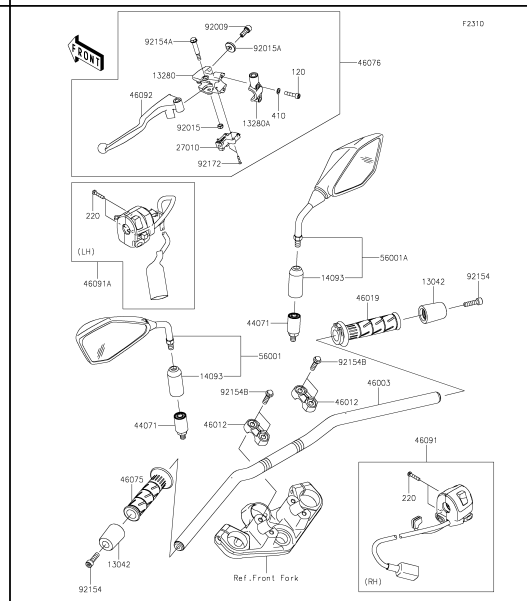
44 Front Brake



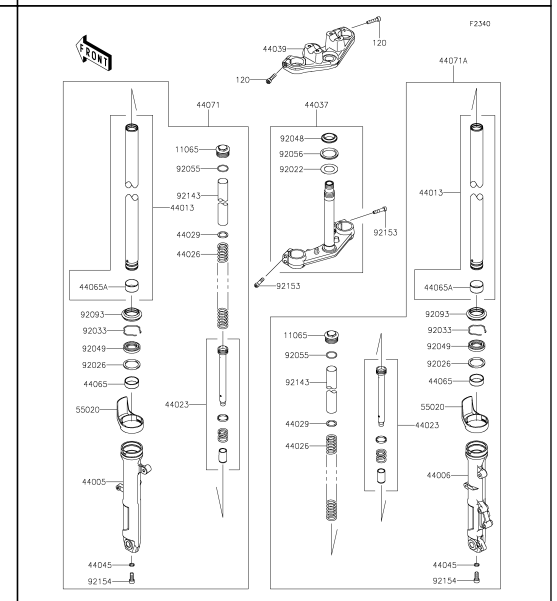
45 Rear Master Cylinder



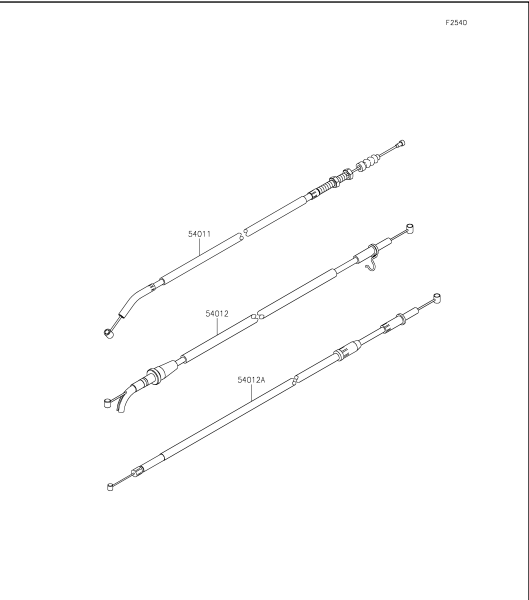
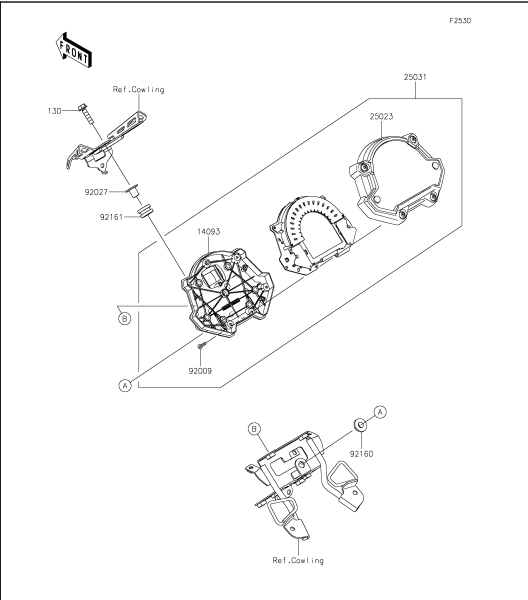
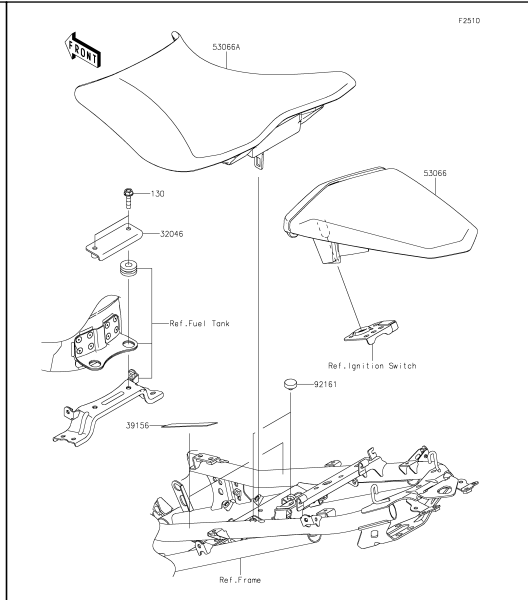
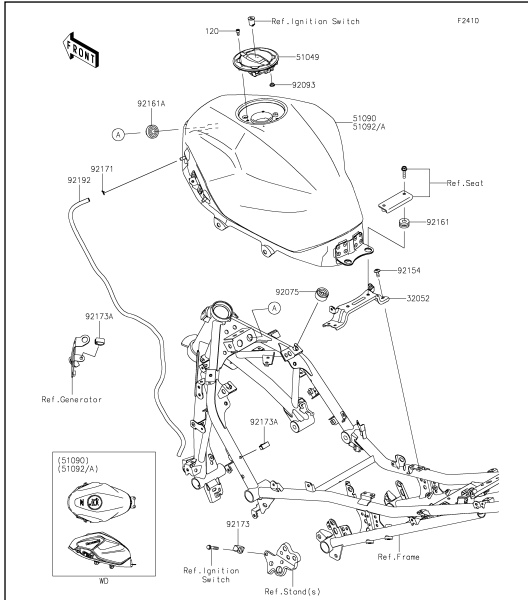
46 Rear Brake



47 Handlebar



48 Front Fork

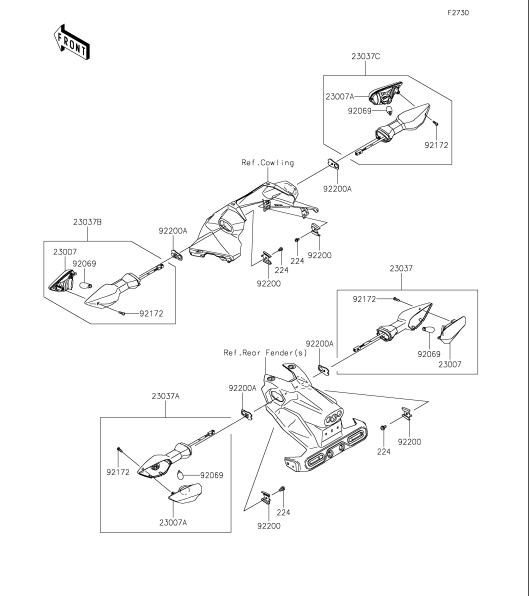
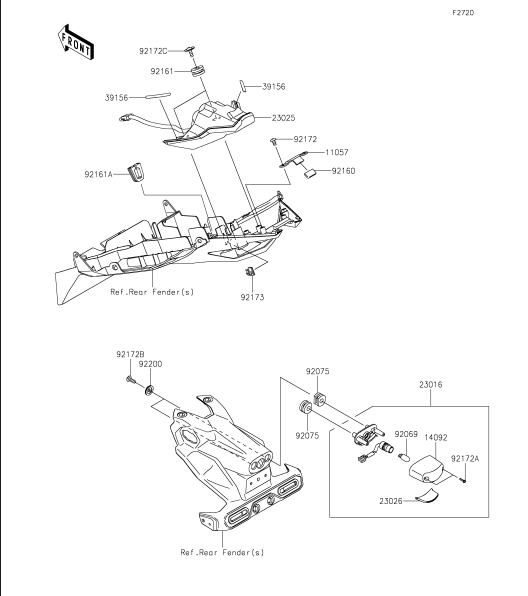
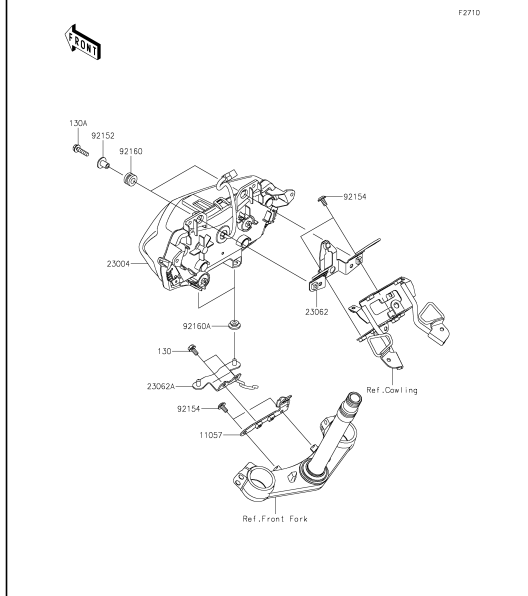
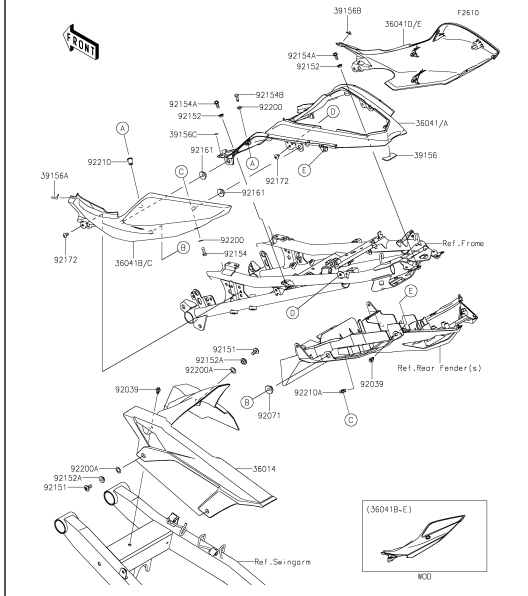


49 Fuel Tank

50 Seat

51 Meter(s)

52 Cables

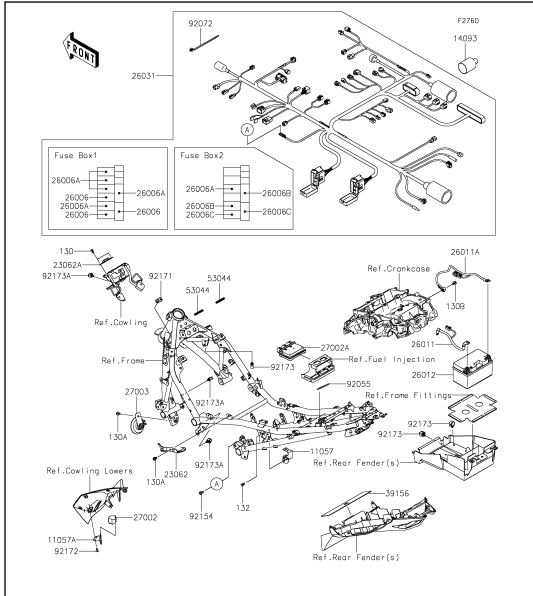


53 Side Covers/Chain Cover

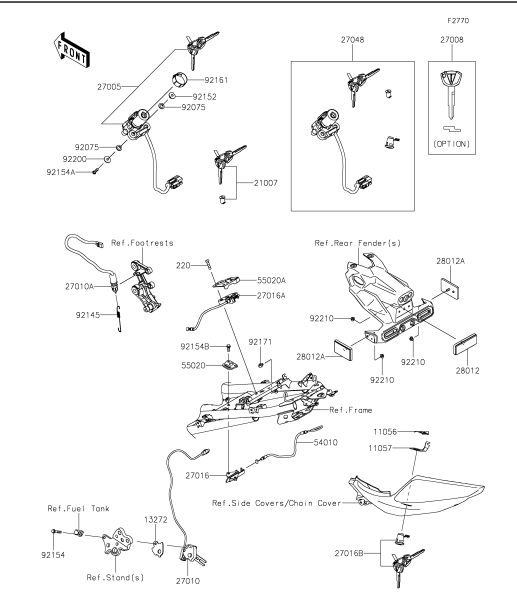
54 Headlight(s)

55 Taillight(s)

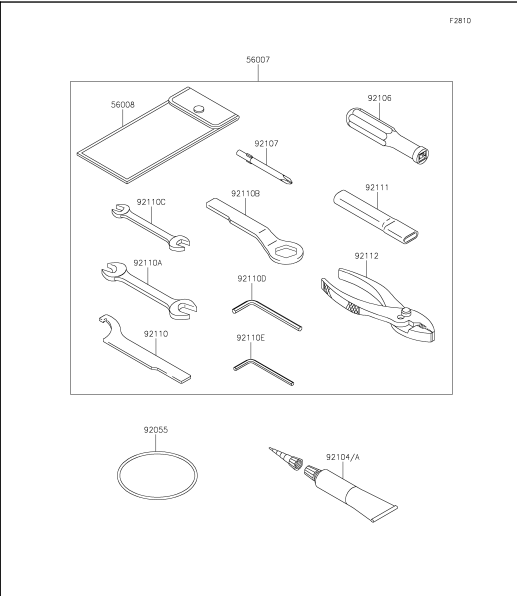
56 Turn Signals



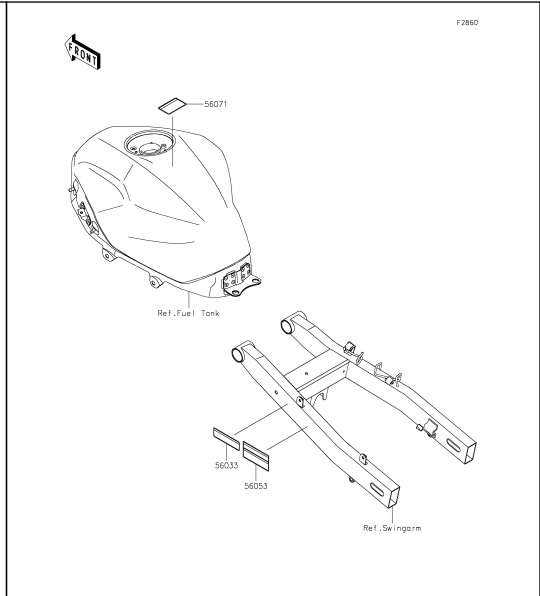
57 Chassis Electrical Equipment



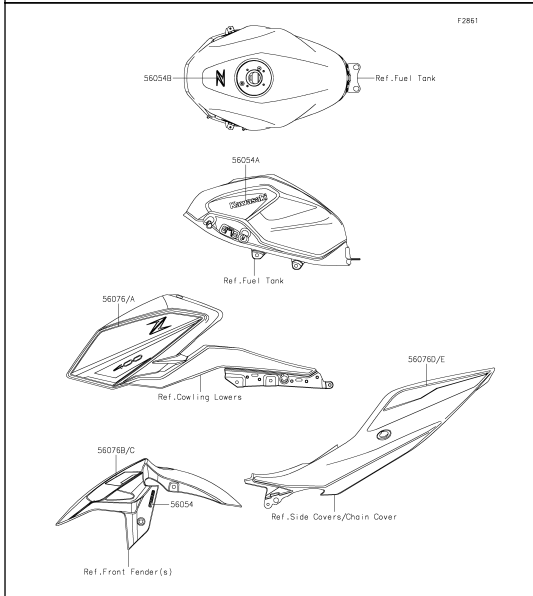
58 Ignition Switch



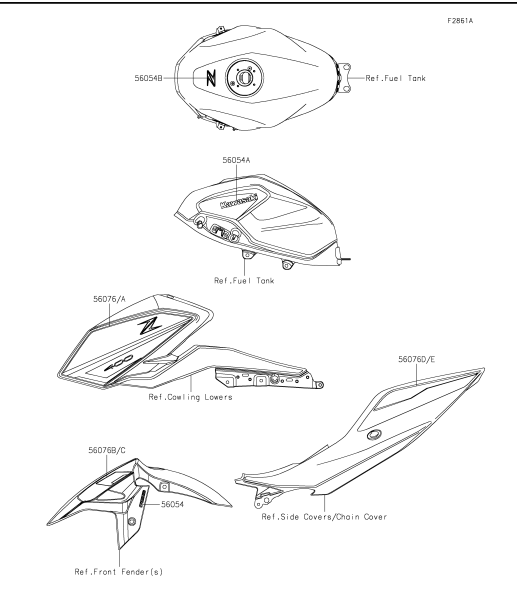
59 Owner's Tools



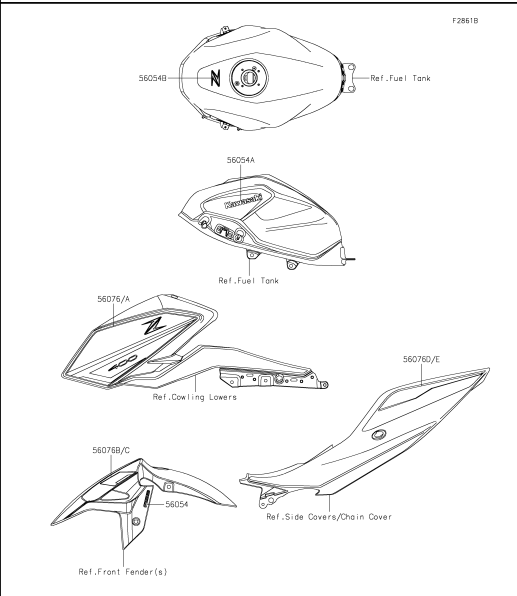
60 Labels



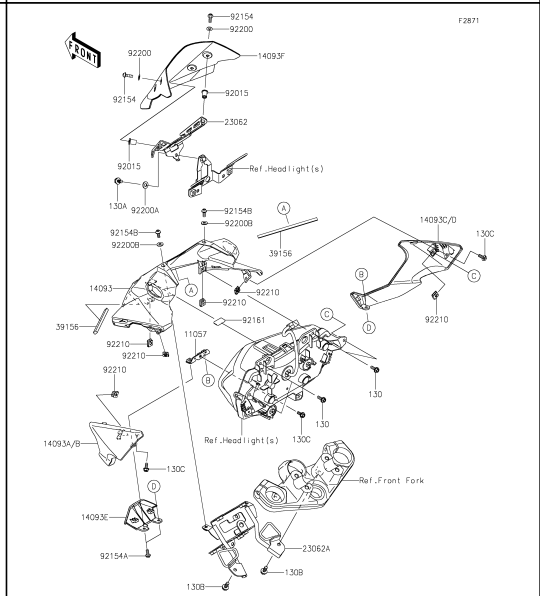
61 Decals(Green)



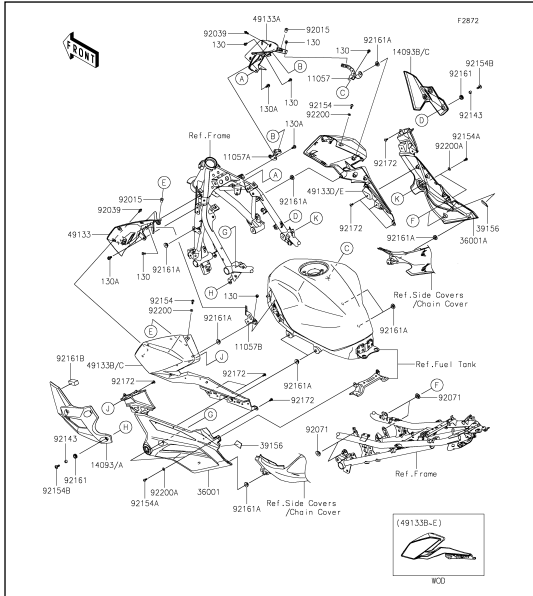
62 Decals(Black)



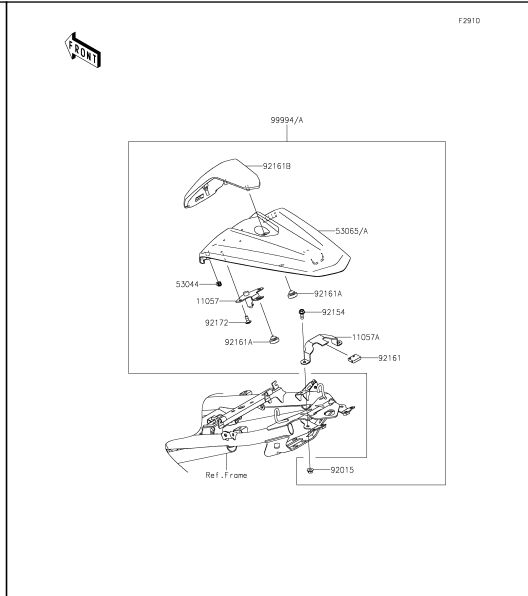
63 Decals(White)



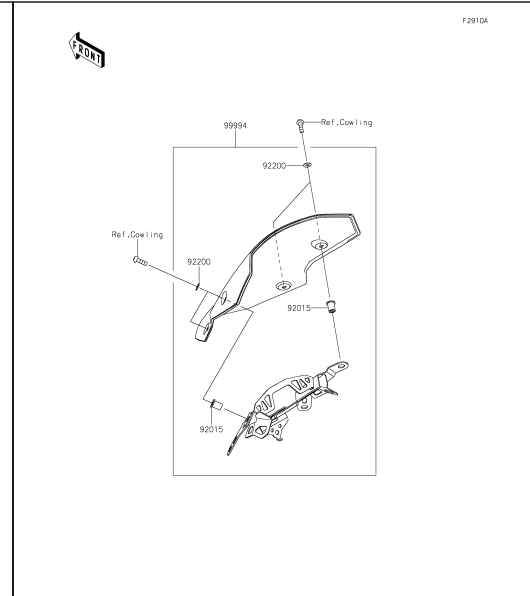
64 Cowling



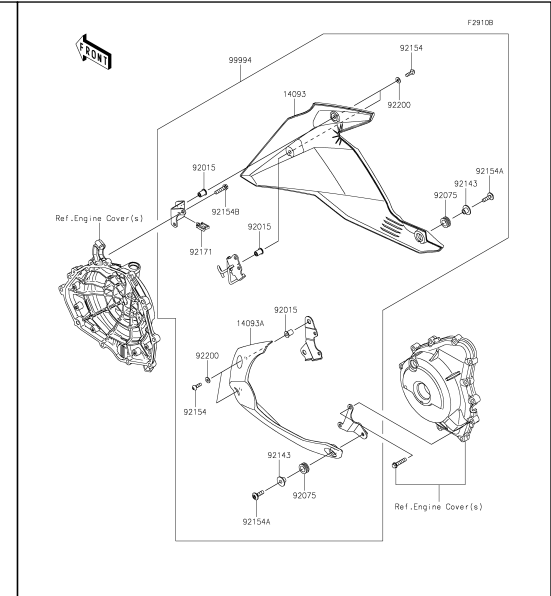
65 Cowling Lowers



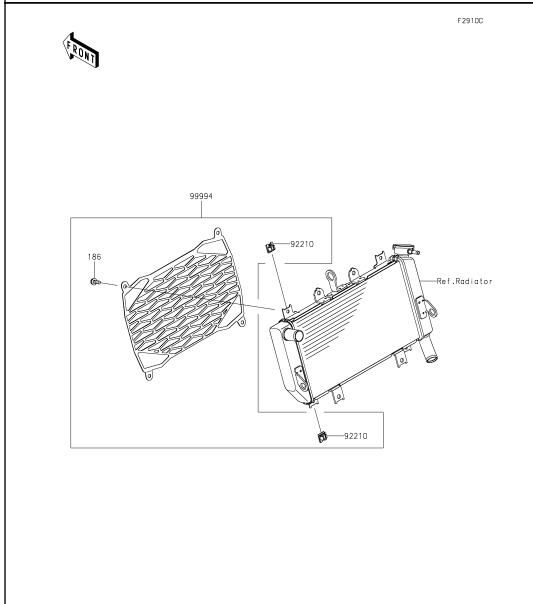
66 Accessory(Pillion Seat Cover)



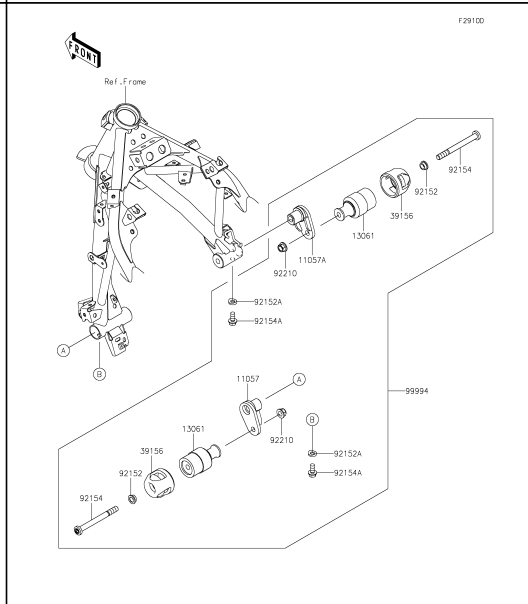
67 Accessory(Meter Cover)



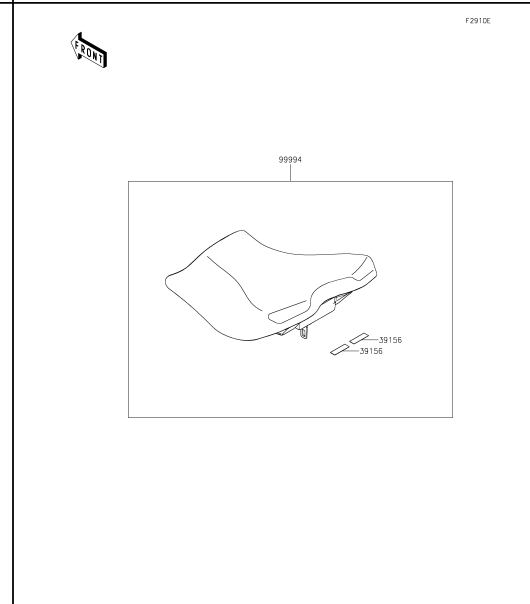
68 Accessory(Lower Cowling)



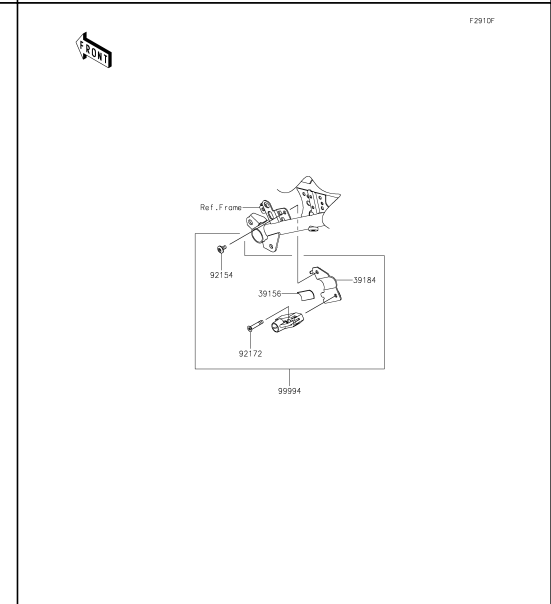
69 Accessory(Radiator Screen)



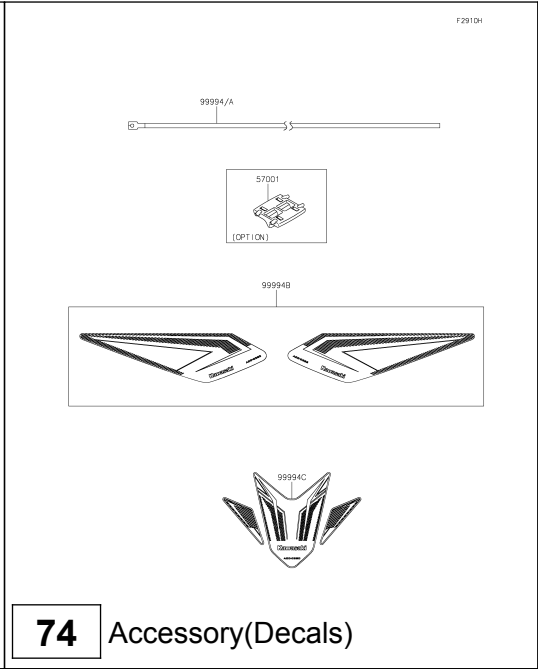
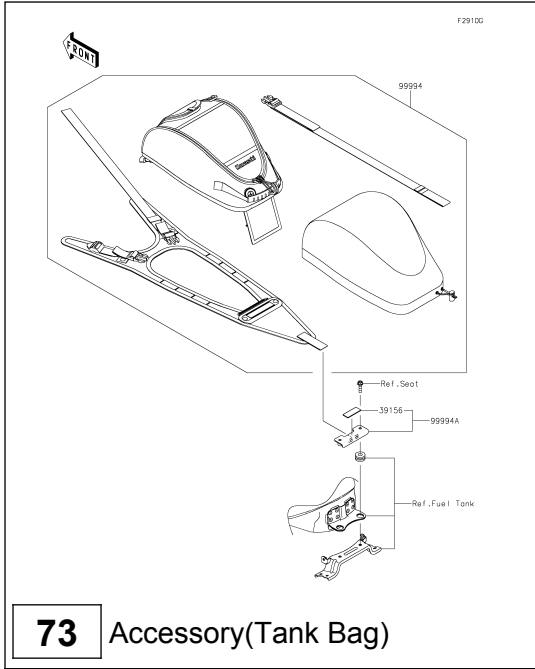
70 Accessory(Slider)



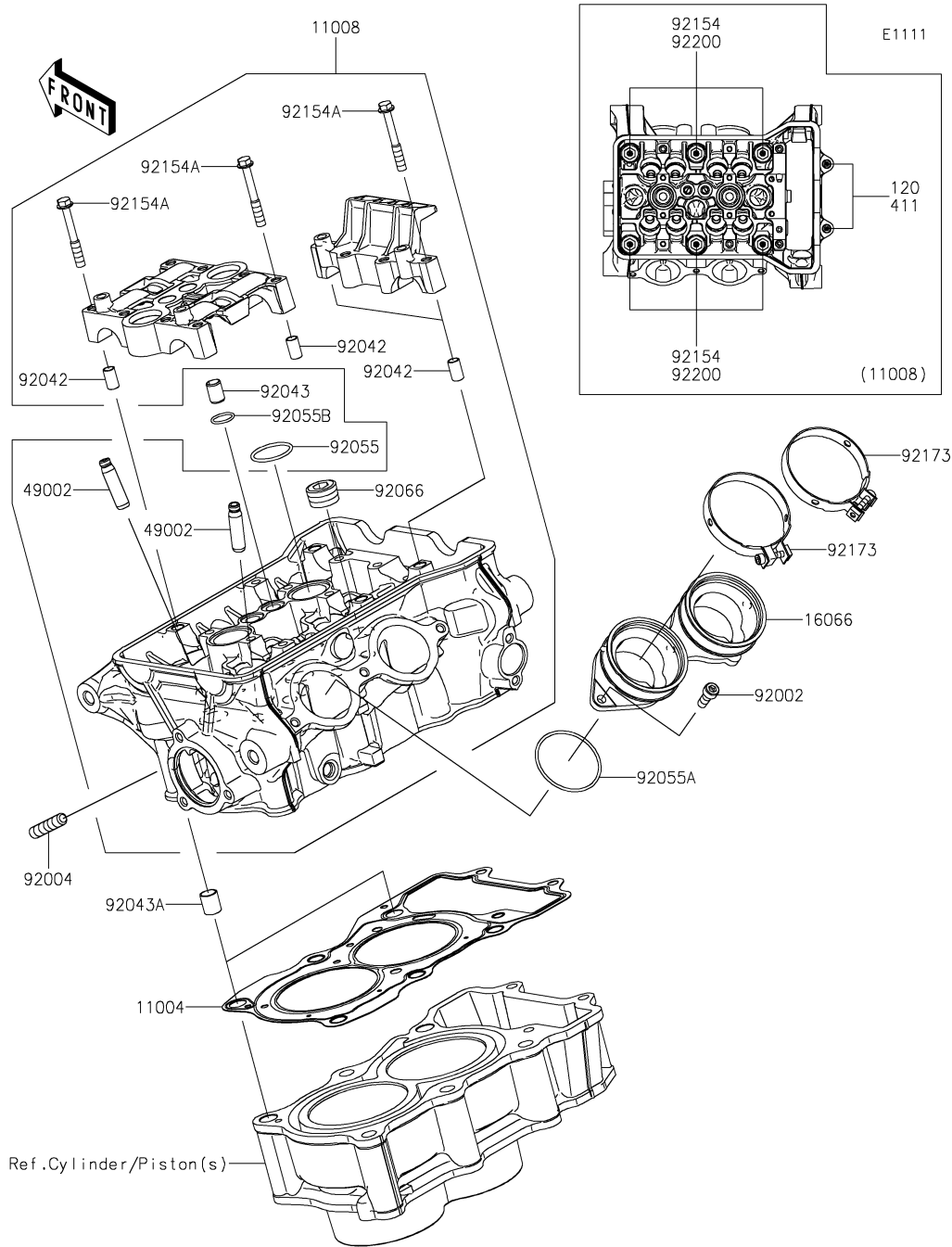
71 Accessory(High Seat)



72 Accessory(Helmet Lock)



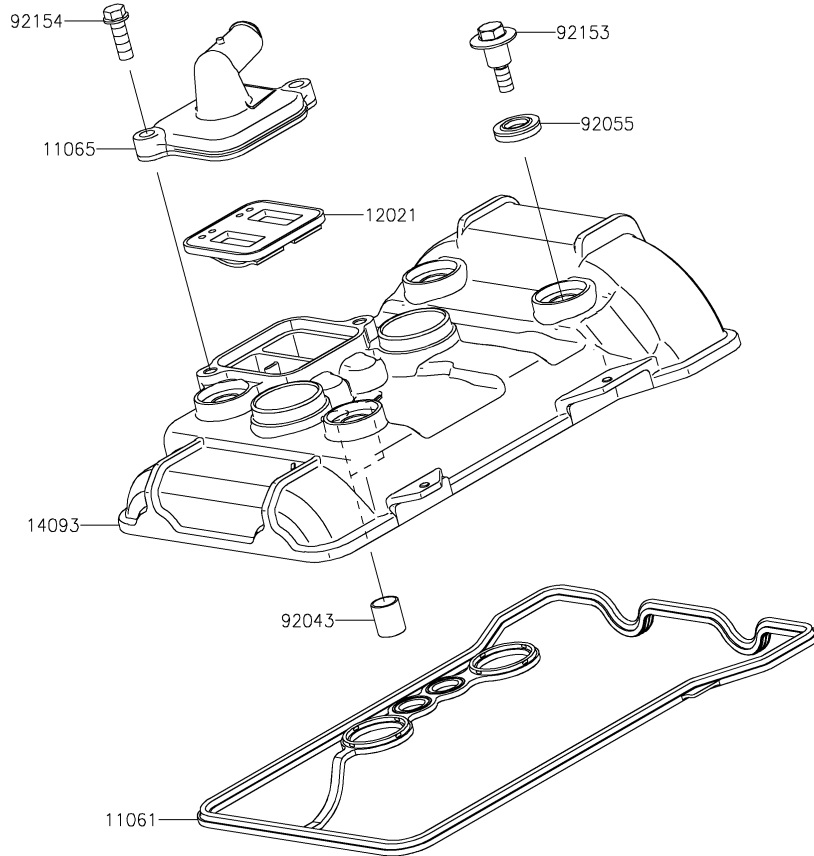
'22 ER400 DNFNN



1. Cylinder Head

Ref. No.	Part No.	Description	Spec Code	Quantity			
				'22			
				DNFNN			
11004	11004-0774	GASKET-HEAD					1
11008	11008-0967	HEAD-COMP-CYLINDER					1
16066	16066-0007	HOLDER-THROTTLE BODY					1
49002	49002-0009	GUIDE-VALVE					8
92002	92002-1143	BOLT,6X16					3
92004	92004-0731	STUD,8X25					4
92042	92042-007	PIN,DOWEL,6.3X8X14					4
92043	92043-1264	PIN,8.2X10X14					2
92043A	92043-4009	PIN,10.1X12X14					2
92055	92055-0074	RING-O,25.5X2					2
92055A	92055-0890	RING-O,44.5X1.9					2
92055B	92055-0944	RING-O,13.5X1.5					2
92066	92066-0002	PLUG,PT1/2X12.5					3
92154	92154-2732	BOLT,FLANGED,9X138					6
92154A	92154-3737	BOLT,FLANGED,6X45					12
92173	92173-0927	CLAMP,58MM					2
92200	92200-0363	WASHER,10.5X19X2.3					6
120	120CC0690	BOLT-SOCKET,6X90					2
411	411AA0600	WASHER-PLAIN,6MM					2

E1112



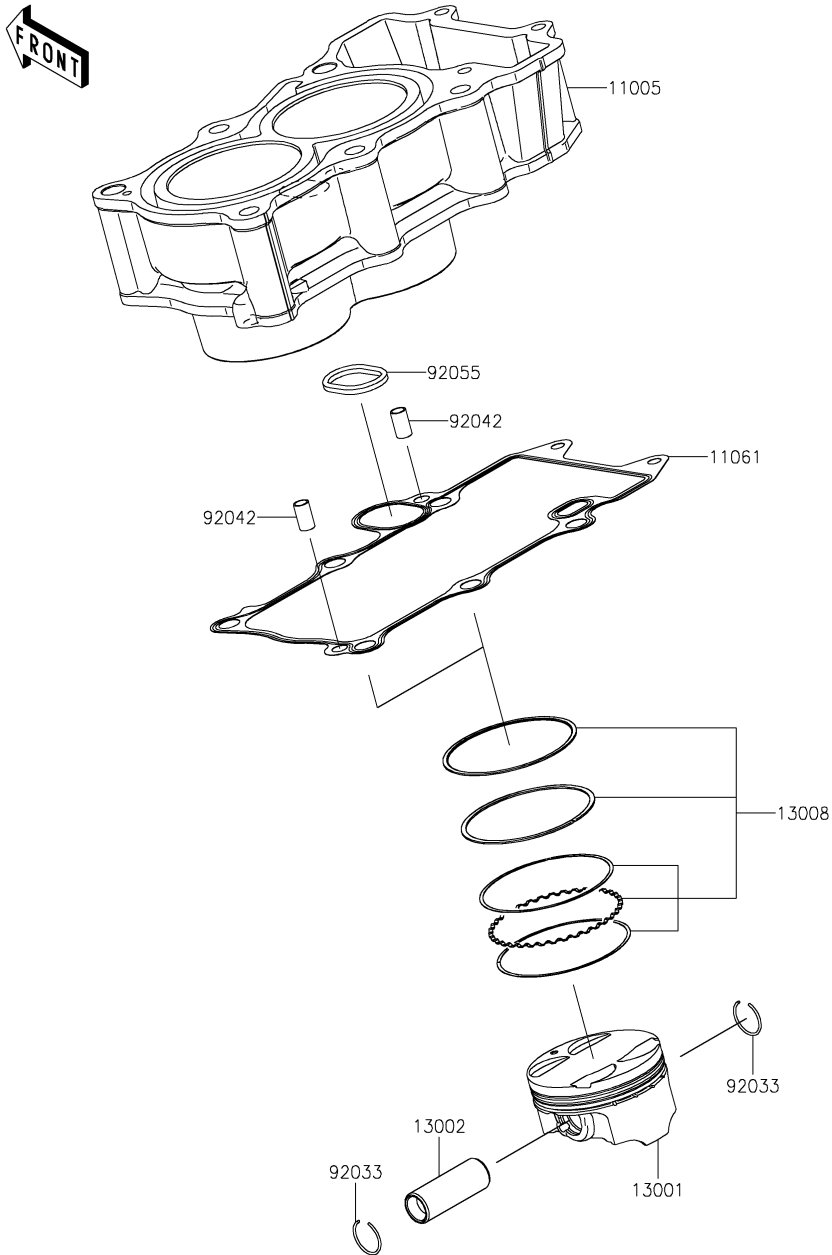
2. Cylinder Head Cover

Ref. No.	Part No.	Description	Spec Code	Quantity			
				'22			
				DNFNN			
11061	11061-1337	GASKET,CYLINDER HEAD COVER					1
11065	11065-1311	CAP,HEAD					1
12021	12021-0708	VALVE-ASSY-REED					1
14093	14093-0818	COVER,CYLINDER HEAD					1
92043	92043-4009	PIN,10.1X12X14					2
92055	92055-0143	RING-O					4
92153	92153-0793	BOLT,HEAD COVER					4
92154	92154-1775	BOLT,FLANGED,6X18					2

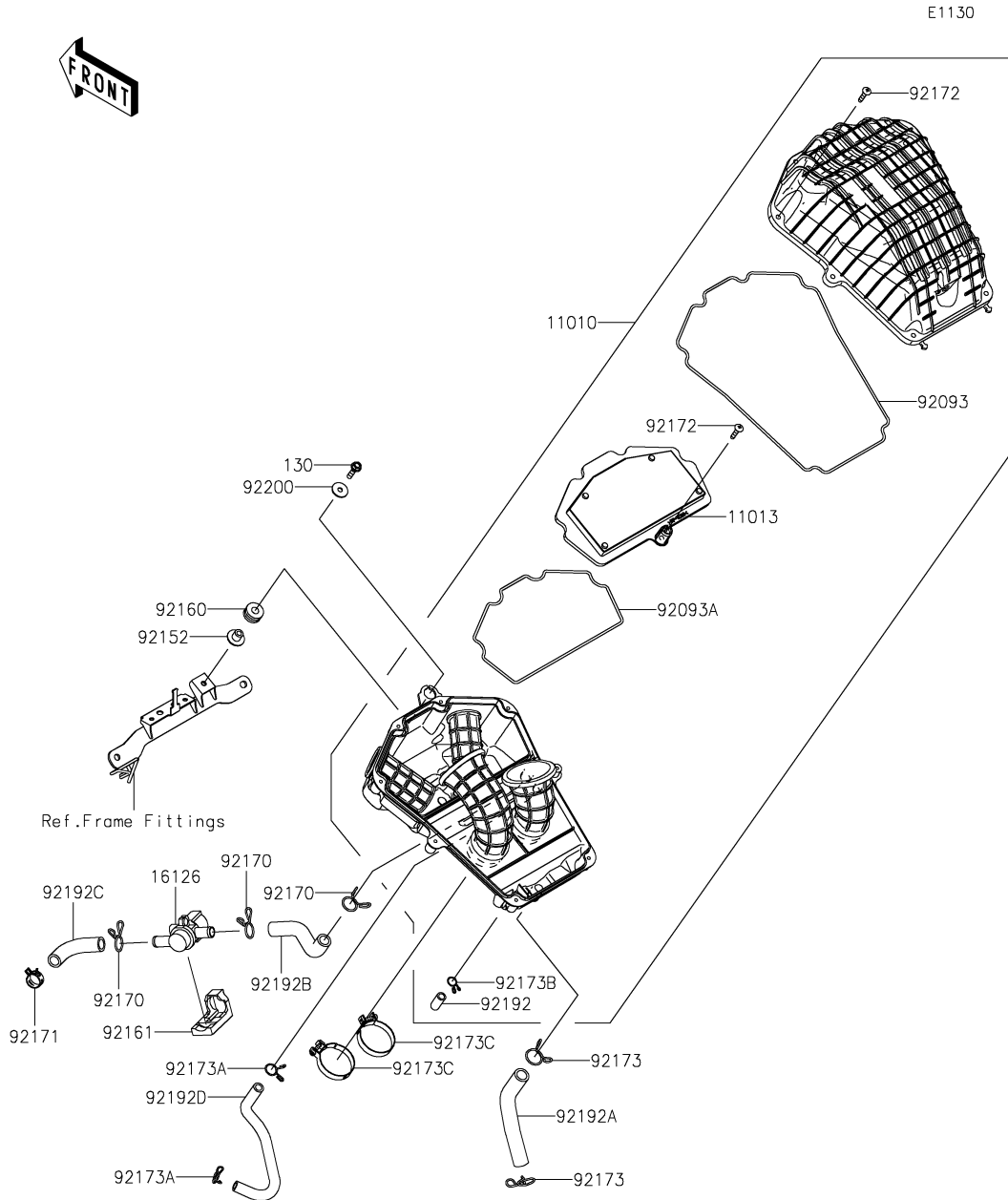
E1120

3. Cylinder/Piston(s)

Ref. No.	Part No.	Description	Spec Code	Quantity			
				'22			
				DNFNN			
11005	11005-0668	CYLINDER-ENGINE					1
11061	11061-1247	GASKET,CYLINDER BASE					1
13001	13001-0790	PISTON-ENGINE					2
13002	13002-0050	PIN-PISTON					2
13008	13008-0576	RING-SET-PISTON					2
92033	92033-1054	RING-SNAP					4
92042	92042-007	PIN,DOWEL,6.3X8X14					2
92055	92055-0888	RING-O					1

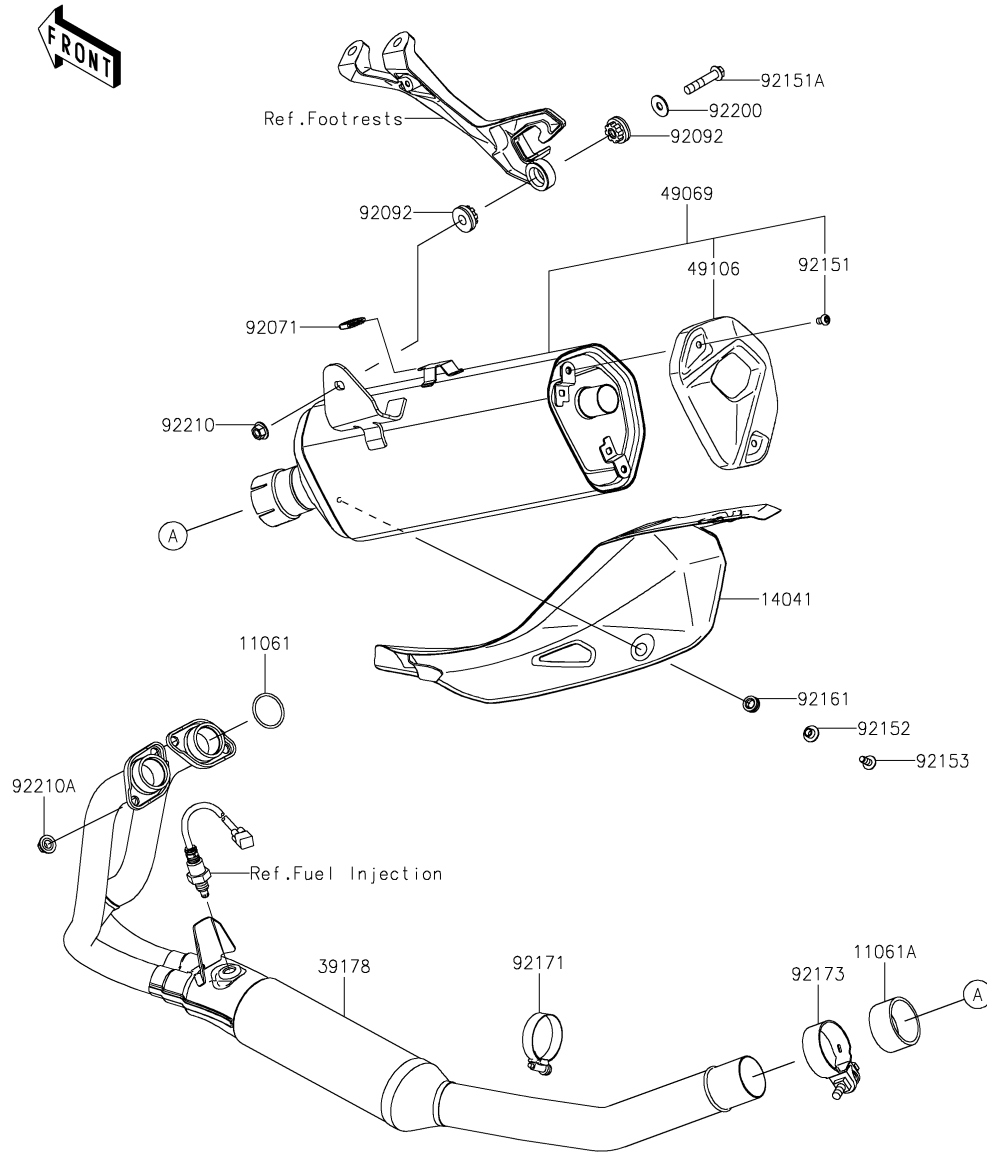


4. Air Cleaner



Ref. No.	Part No.	Description	Spec Code	Quantity			
				'22			
				DNFNN			
11010	11010-0867	FILTER-ASSY-AIR					1
11013	11013-0767	ELEMENT-AIR FILTER					1
16126	16126-0744	VALVE,AIR CUT					1
92093	92093-0706	SEAL,CASE					1
92093A	92093-0707	SEAL,ELEMENT					1
92152	92152-0547	COLLAR,6.5X10.5X13.1					1
92160	92160-1162	DAMPER					1
92161	92161-1933	DAMPER					1
92170	92170-1017	CLAMP					3
92171	92171-2056	CLAMP,18.8MM					1
92172	92172-0891	SCREW,5X25					9
92173	92173-0190	CLAMP,20MM					2
92173A	92173-0192	CLAMP,14MM					2
92173B	92173-1714	CLAMP					1
92173C	92173-1749	CLAMP					2
92192	92192-1744	TUBE,DRAIN CLEAN					1
92192A	92192-1810	TUBE,BREATHER					1
92192B	92192-1811	TUBE,AIR CUT VALVE-AIR CLEANER					1
92192C	92192-1812	TUBE,AIR CUT VALVE-HEAD CAP					1
92192D	92192-1813	TUBE,ISC-AIR CLEANER					1
92200	92200-1087	WASHER,6.5X22X1.6					1
130	130BB0625	BOLT-FLANGED,6X25					1

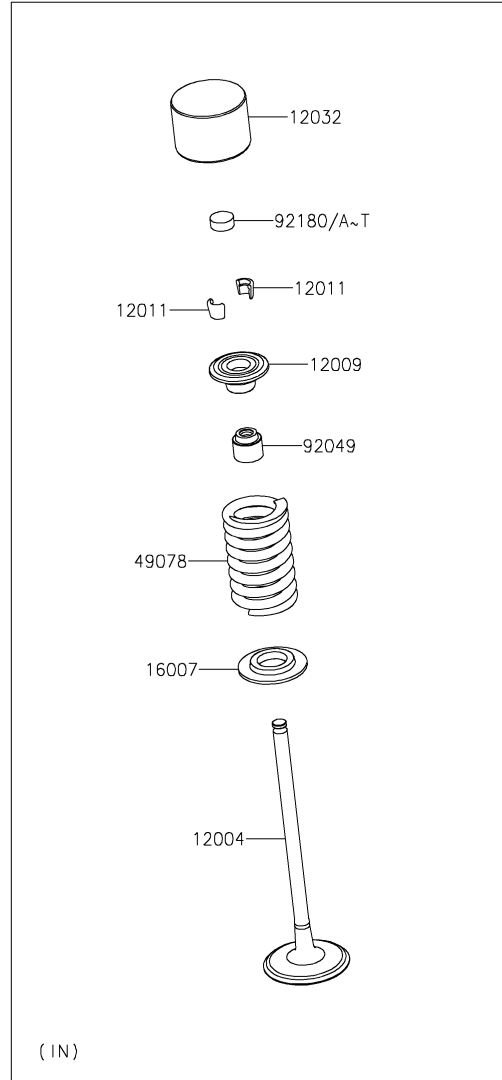
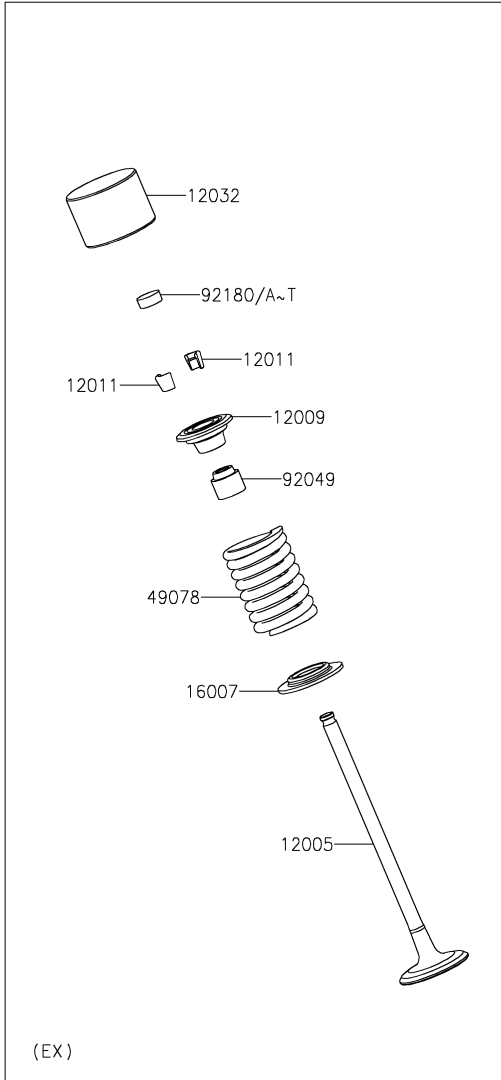
E1140



5. Muffler(s)

Ref. No.	Part No.	Description	Spec Code	Quantity			
				'22			
				DNFNN			
11061	11061-1249	GASKET,EXHAUST PIPE					2
11061A	11061-1266	GASKET,EXHAUST PIPE CONNECTING					1
14041	14041-0604	COVER-COMP,MUFFLER					1
39178	39178-0347	MANIFOLD-COMP-EXHAUST					1
49069	49069-0846	MUFFLER-ASSY					1
49106	49106-0827	COVER-MUFFLER,END					1
92071	92071-0786	GROMMET					1
92092	92092-0018	BUSHING-RUBBER					2
92151	92151-1449	BOLT,SOCKET,6X10					2
92151A	92151-1532	BOLT,FLANGED,8X40					1
92152	92152-0286	COLLAR,6.3X8.3X16					1
92153	92153-0817	BOLT,SOCKET,6X16					1
92161	92161-2152	DAMPER					1
92171	92171-0058	CLAMP					1
92173	92173-1931	CLAMP					1
92200	92200-0174	WASHER,8.0X22.0X1.5					1
92210	92210-0121	NUT,8MM					1
92210A	92210-1114	NUT,8MM					4

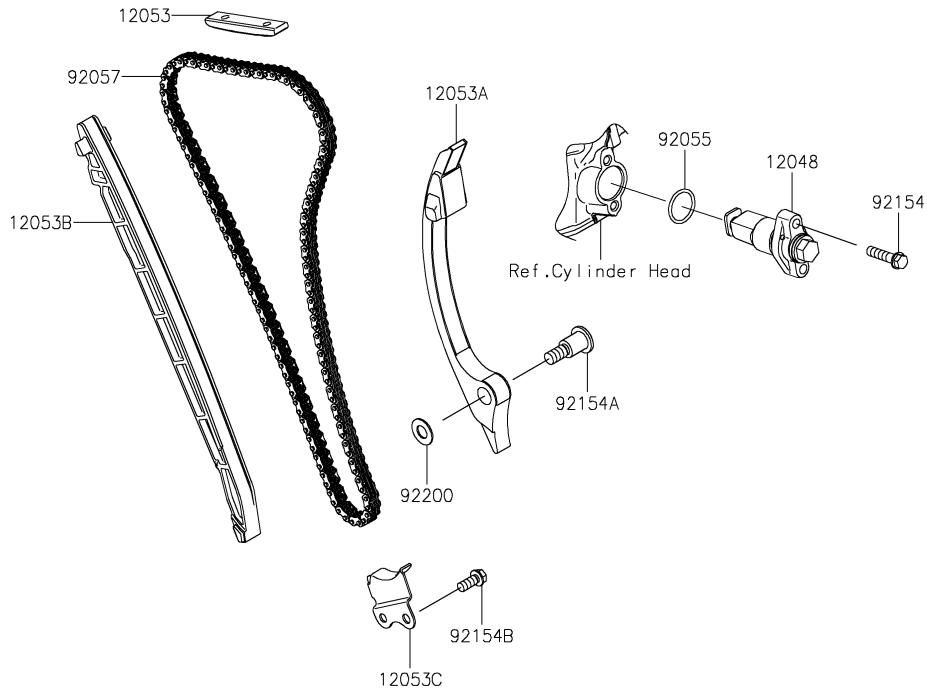
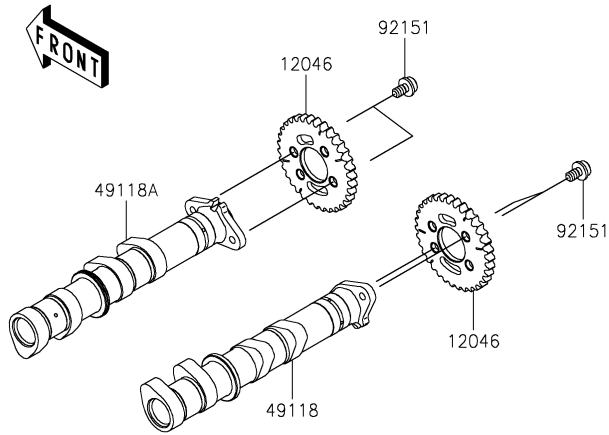
E1210



6. Valve(s)

Ref. No.	Part No.	Description	Spec Code	Quantity					
				'22					
				DNFNN					
12004	12004-0755	VALVE-INTAKE							4
12005	12005-0772	VALVE-EXHAUST							4
12009	12009-1073	RETAINER-VALVE SPRING							8
12011	12011-1053	COLLET							16
12032	12032-0029	TAPPET							8
16007	16007-0741	SEAT-SPRING							8
49078	49078-0742	SPRING-ENGINE VALVE							8
92049	92049-1349	SEAL-OIL,VSB 4.3 7.5 5.3 8.3							8
92180	92180-1014	SHIM,T=2.50							8
92180A	92180-1016	SHIM,T=2.55							AR
92180B	92180-1018	SHIM,T=2.60							AR
92180C	92180-1020	SHIM,T=2.65							AR
92180D	92180-1022	SHIM,T=2.70							AR
92180E	92180-1024	SHIM,T=2.75							AR
92180F	92180-1026	SHIM,T=2.80							AR
92180G	92180-1028	SHIM,T=2.85							AR
92180H	92180-1030	SHIM,T=2.90							AR
92180I	92180-1032	SHIM,T=2.95							AR
92180J	92180-1034	SHIM,T=3.00							AR
92180K	92180-1036	SHIM,T=3.05							AR
92180L	92180-1038	SHIM,T=3.10							AR
92180M	92180-1040	SHIM,T=3.15							AR
92180N	92180-1042	SHIM,T=3.20							AR
92180O	92180-1044	SHIM,T=3.25							AR
92180P	92180-1046	SHIM,T=3.30							AR
92180Q	92180-1048	SHIM,T=3.35							AR
92180R	92180-1050	SHIM,T=3.40							AR
92180S	92180-1052	SHIM,T=3.45							AR
92180T	92180-1054	SHIM,T=3.50							AR

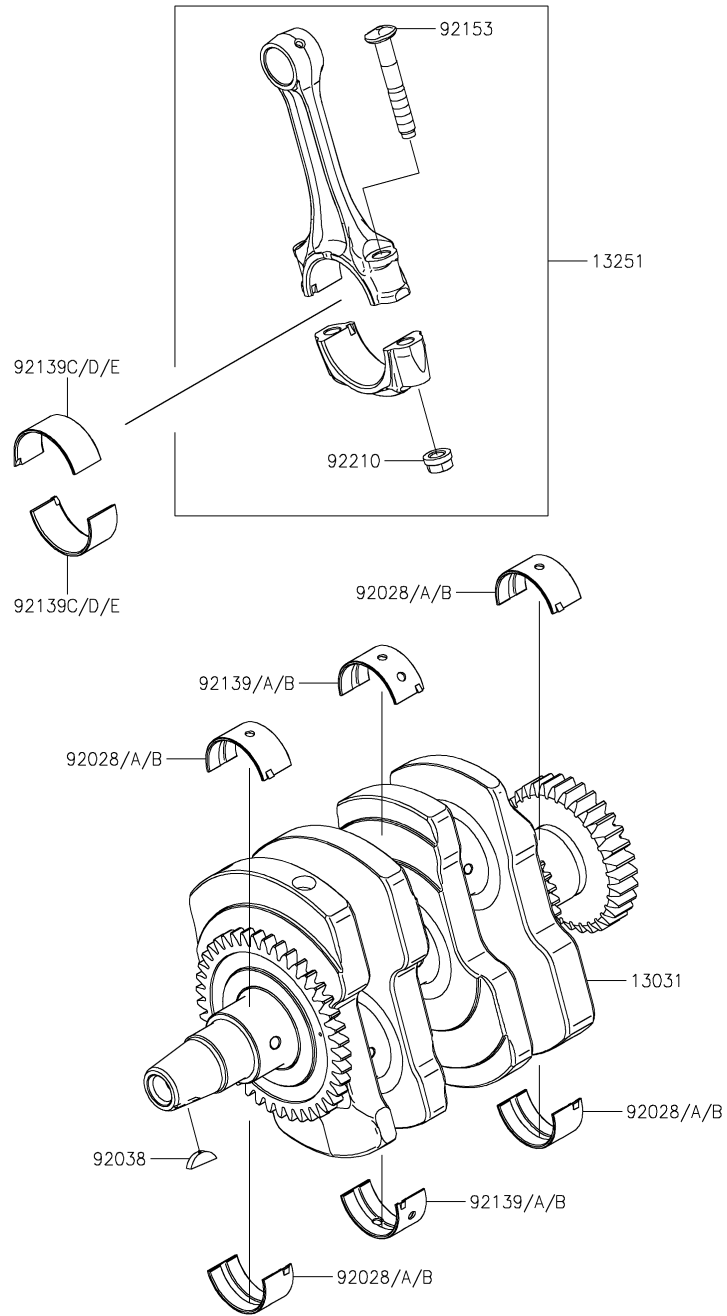
E1230



7. Camshaft(s)/Tensioner

Ref. No.	Part No.	Description	Spec Code	Quantity			
				'22			
				DNFNN			
12046	12046-0599	SPROCKET,34T					2
12048	12048-0111	TENSIONER-ASSY					1
12053	12053-0051	GUIDE-CHAIN,UPP					1
12053A	12053-0244	GUIDE-CHAIN,RR					1
12053B	12053-0245	GUIDE-CHAIN,FR					1
12053C	12053-0246	GUIDE-CHAIN,LWR					1
49118	49118-0913	CAMSHAFT-COMP,INTAKE					1
49118A	49118-0914	CAMSHAFT-COMP,EXHAUST					1
92055	92055-086	RING-O,18.8X1.9					1
92057	92057-0602	CHAIN,CAM,92RH2015 126M					1
92151	92151-1829	BOLT,SOCKET,6X10					4
92154	92154-0117	BOLT,FLANGED-SMALL,6X25					2
92154A	92154-0953	BOLT,SOCKET,8X29.2					1
92154B	92154-2907	BOLT,FLANGED,6X14					1
92200	92200-1954	WASHER,9X18X1					1

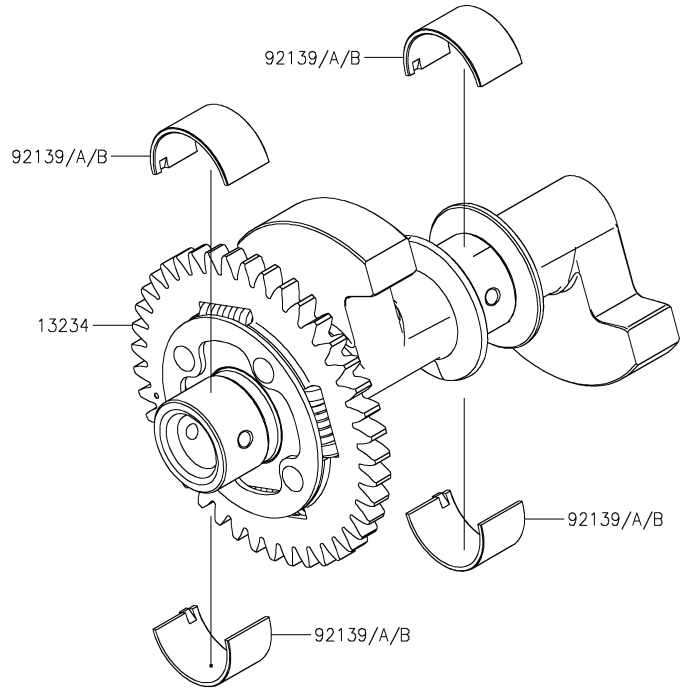
8. Crankshaft



E1321

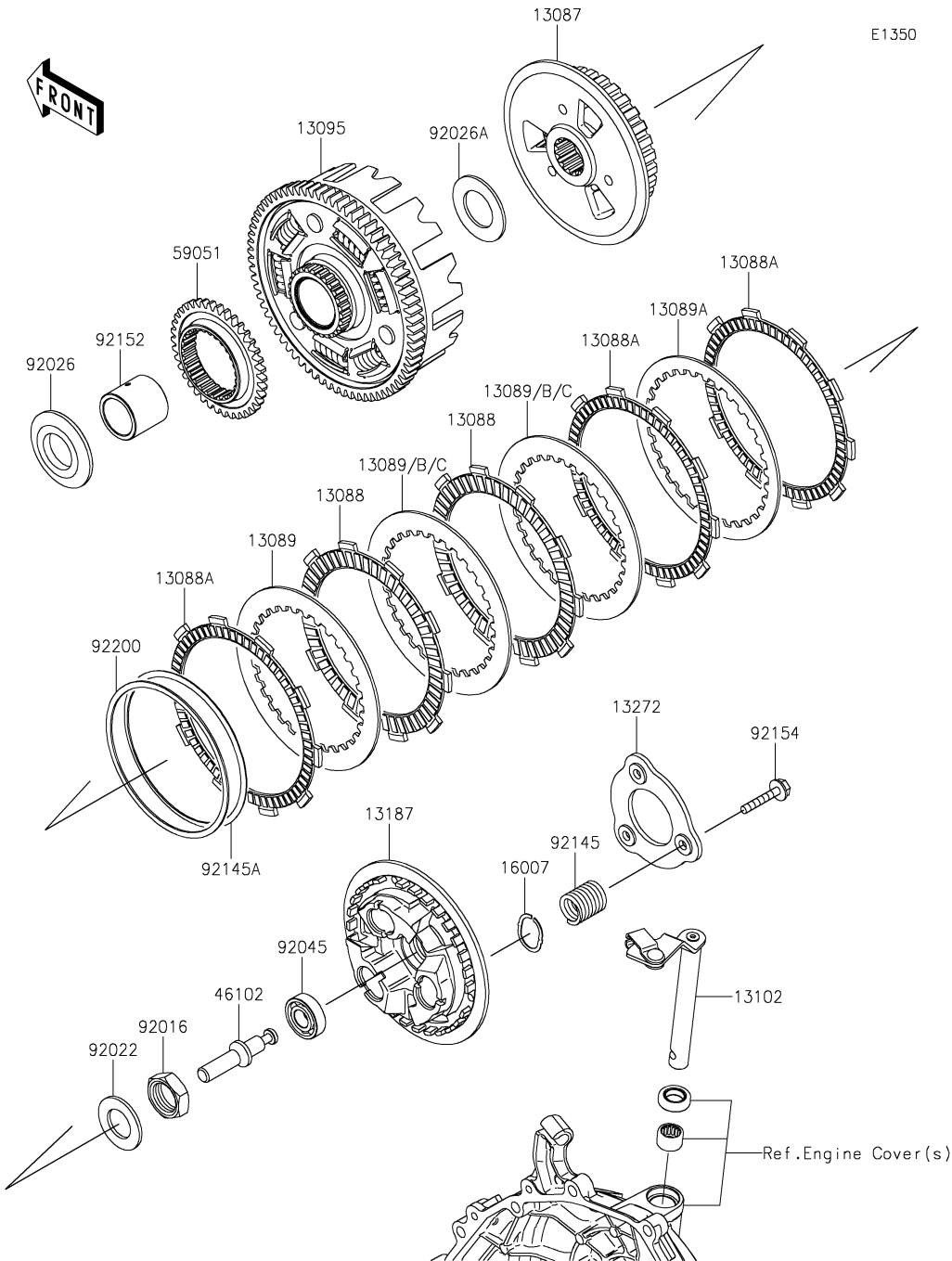
Ref. No.	Part No.	Description	Spec Code	Quantity			
				'22			
				DNFNN			
13031	13031-0878	CRANKSHAFT-COMP					1
13251	13251-0727-HH	ROD-ASSY-CONNECTING,HH					2
92028	92028-1866	BUSHING,CRANK,#1,BLUE					AR
92028A	92028-1867	BUSHING,CRANK,#1,BLACK					4
92028B	92028-1868	BUSHING,CRANK,#1,BROWN					AR
92038	92038-001	KEY,WOODRUFF					1
92139	92139-0880	BUSHING,CRANK #2,BLUE					AR
92139A	92139-0881	BUSHING,CRANK #2,BLACK					2
92139B	92139-0882	BUSHING,CRANK #2,BROWN					AR
92139C	92139-0886	BUSHING,CONNECTING ROD,BLUE					AR
92139D	92139-0887	BUSHING,CONNECTING ROD,BLACK					4
92139E	92139-0888	BUSHING,CONNECTING ROD,BROWN					AR
92153	92153-1172	BOLT,7MM					4
92210	92210-0384	NUT,CONNECTING ROD,7MM					4

E1323



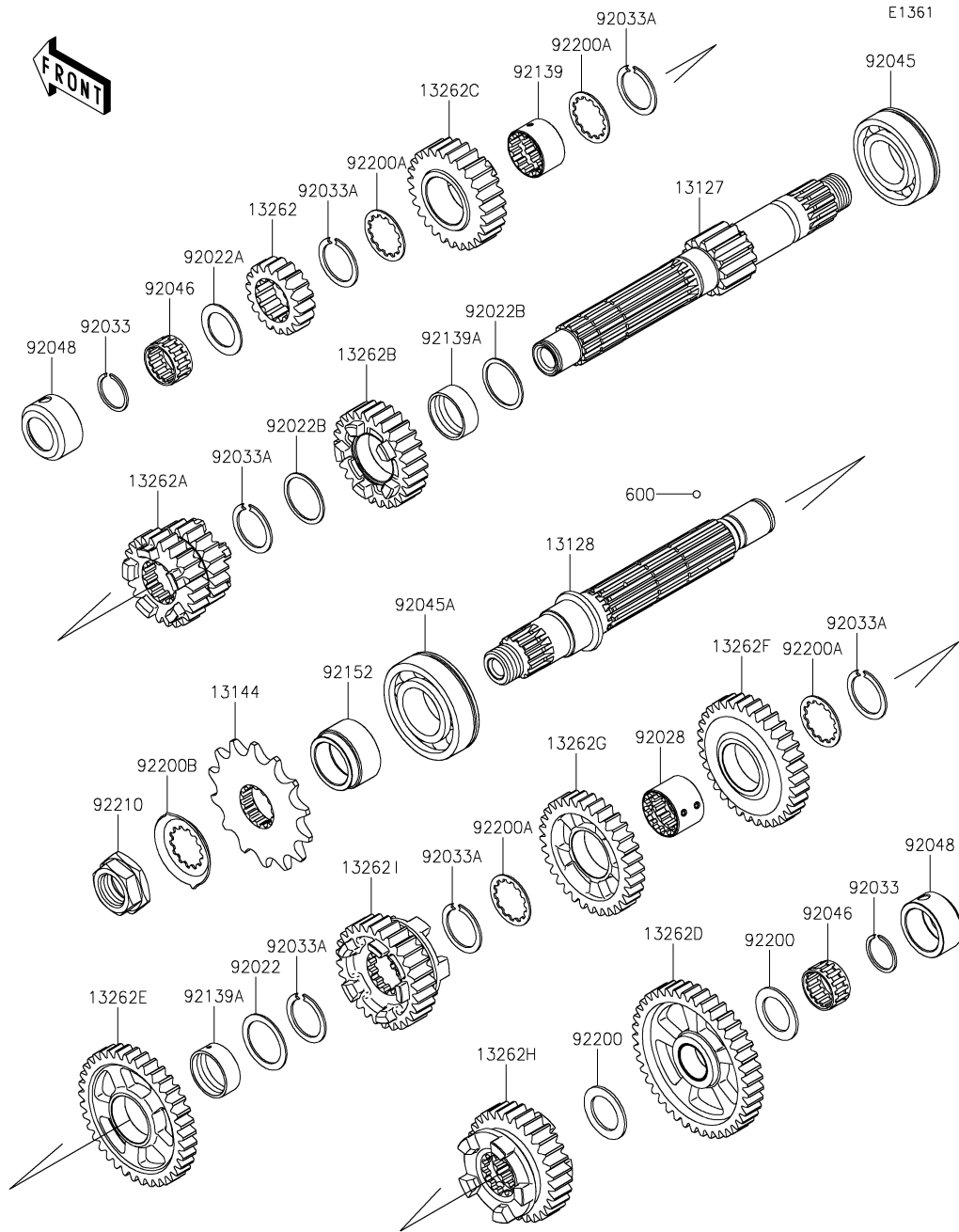
9. Balancer

Ref. No.	Part No.	Description	Spec Code	Quantity			
				'22			
13234	13234-0607	SHAFT-COMP,BALANCER					1
92139	92139-0883	BUSHING,BALANCER,BLUE					AR
92139A	92139-0884	BUSHING,BALANCER,BLACK					4
92139B	92139-0885	BUSHING,BALANCER,BROWN					AR



10. Clutch

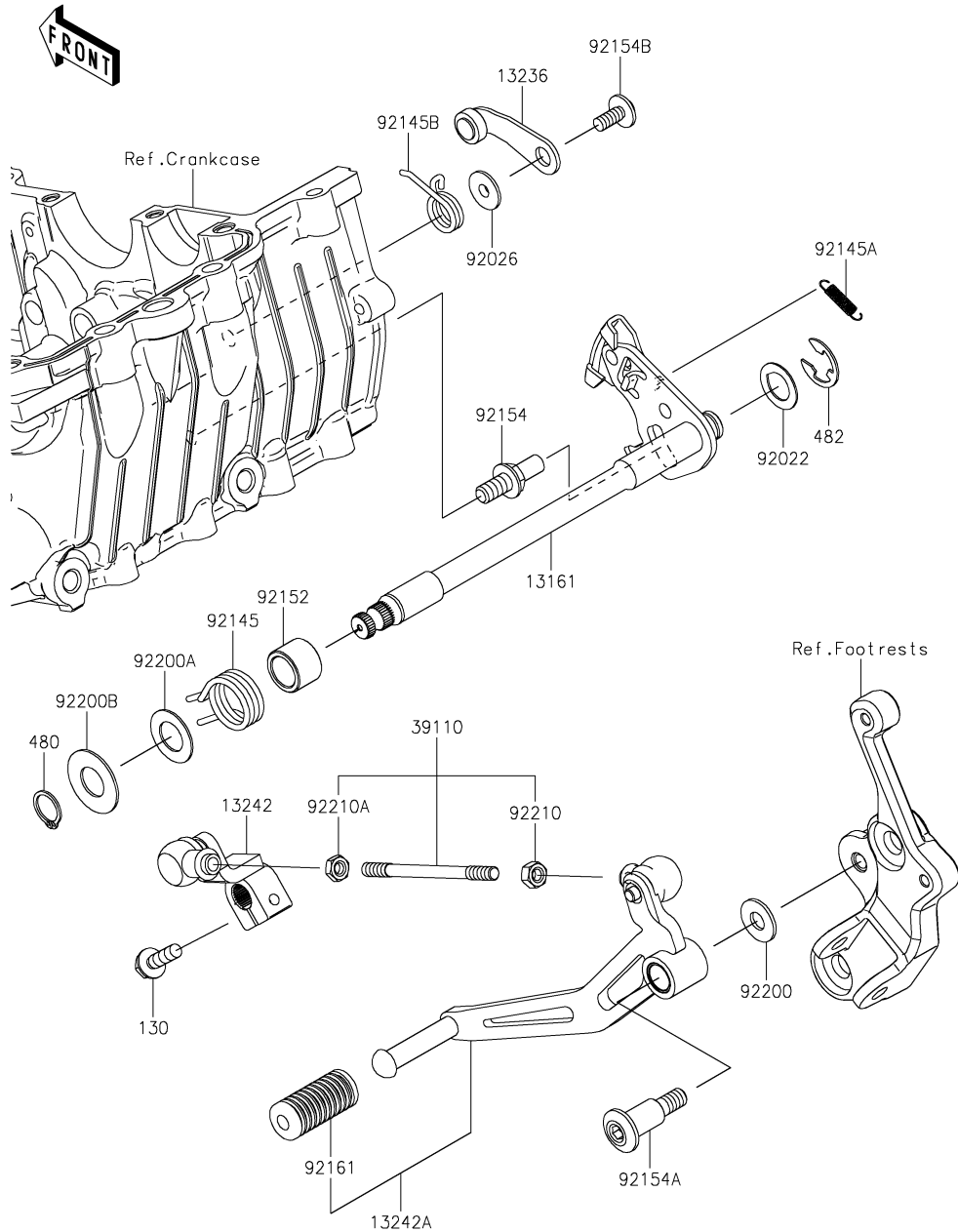
Ref. No.	Part No.	Description	Spec Code	Quantity			
				'22			
				DNFNN			
13087	13087-0585	HUB-CLUTCH					1
13088	13088-0592	PLATE-FRICTION					2
13088A	13088-0593	PLATE-FRICTION					3
13089	13089-0041	PLATE-CLUTCH,T=2.0					3
13089A	13089-0042	PLATE-CLUTCH,T=2.0					1
13089B	13089-0043	PLATE-CLUTCH,T=1.6					AR
13089C	13089-0044	PLATE-CLUTCH,T=2.3					AR
13095	13095-0587	HOUSING-COMP-CLUTCH					1
13102	13102-0076	RELEASE-COMP-CLUTCH					1
13187	13187-0033	PLATE-CLUTCH OPERATING					1
13272	13272-2414	PLATE					1
16007	16007-0711	SEAT-SPRING					3
46102	46102-0648	ROD					1
59051	59051-0796	GEAR-SPUR,OIL PUMP,38T					1
92016	92016-028	NUT,20MM					1
92022	92022-1116	WASHER,20.3X36X2.3					1
92026	92026-0115	SPACER,25X52X5.5					1
92026A	92026-0734	SPACER,25.5X44.5X2					1
92045	92045-0937	BEARING-BALL					1
92145	92145-1789	SPRING,CLUTCH					3
92145A	92145-1829	SPRING,JUDDER					1
92152	92152-2524	COLLAR,25X32X29.1					1
92154	92154-0997	BOLT,UPSET,6X30					3
92200	92200-1987	WASHER,99.4X107X1.2					1



11. Transmission

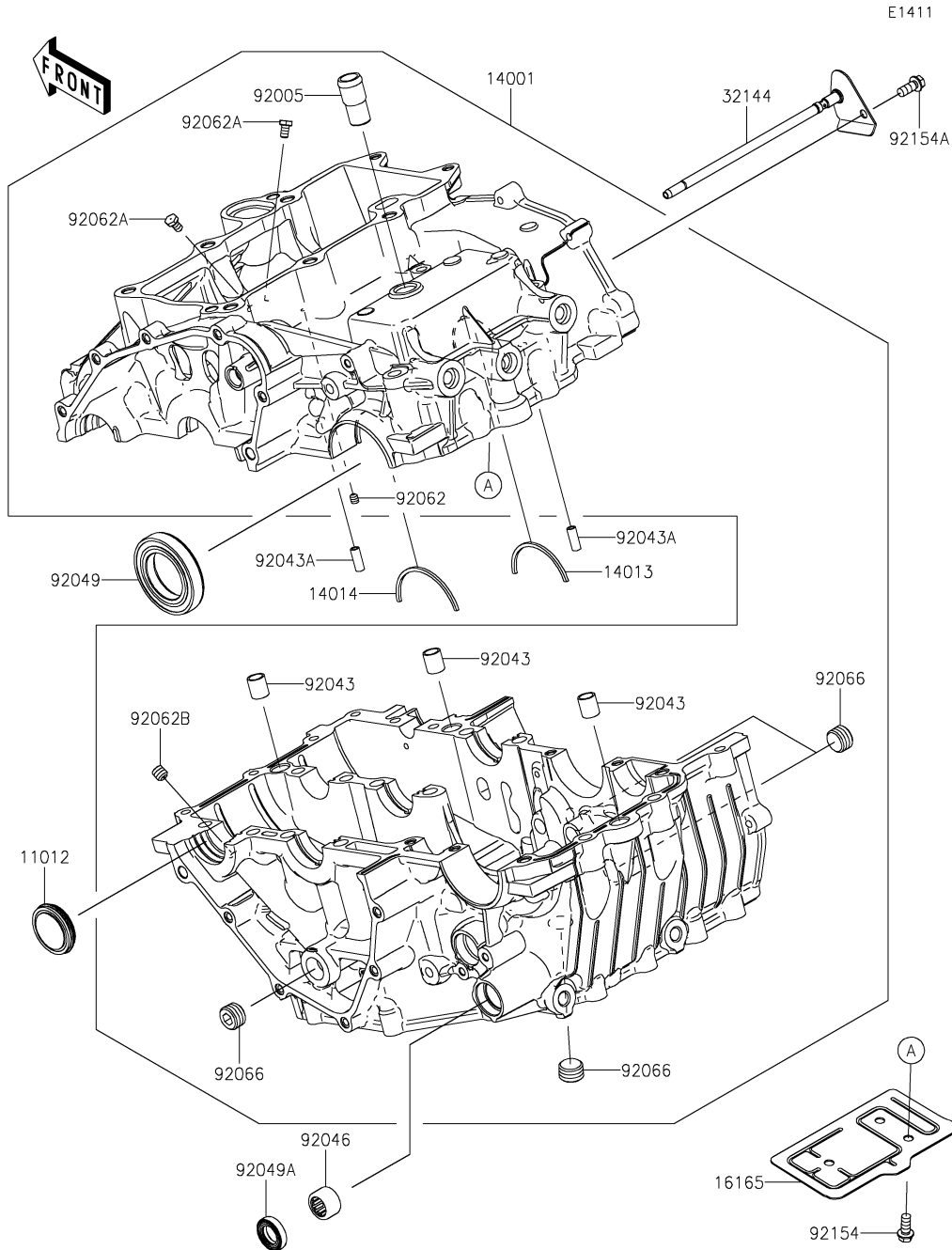
Ref. No.	Part No.	Description	Spec Code	Quantity			
				'22			
				DNFNN			
13127	13127-0707	SHAFT-TRANSMISSION INPUT,13T					1
13128	13128-0706	SHAFT-TRANSMISSION OUTPUT					1
13144	13144-0586	SPROCKET-OUTPUT,14T					1
13262	13262-1288	GEAR,INPUT 2ND,18T					1
13262A	13262-1289	GEAR,INPUT 3RD&4TH,21T,24T					1
13262B	13262-1290	GEAR,INPUT 5TH,26T					1
13262C	13262-1291	GEAR,INPUT 6TH,27T					1
13262D	13262-1292	GEAR,OUTPUT LOW,41T					1
13262E	13262-1293	GEAR,OUTPUT 2ND,37T					1
13262F	13262-1294	GEAR,OUTPUT 3RD,34T					1
13262G	13262-1295	GEAR,OUTPUT 4TH,32T					1
13262H	13262-1296	GEAR,OUTPUT 5TH,30T					1
13262I	13262-1297	GEAR,OUTPUT 6TH,28T					1
92022	92022-1109	WASHER,25.3X33X1					1
92022A	92022-112	WASHER,20.5X30X1,STEEL					1
92022B	92022-161	WASHER,25.3X30X1					2
92028	92028-1858	BUSHING,OUTPUT 3RD&4TH GEAR					1
92033	92033-015	RING-SNAP,20MM					2
92033A	92033-026	RING-SNAP,24MM					6
92045	92045-0735	BEARING-BALL,6TM-6205NX3					1
92045A	92045-0841	BEARING-BALL,28X58X16					1
92046	92046-0607	BEARING-NEEDLE,20X25X12.8					2
92048	92048-0025	RACE					2
92139	92139-0781	BUSHING,26X28X16.6					1
92139A	92139-0793	BUSHING,25X28X10.4					2
92152	92152-2369	COLLAR					1
92200	92200-1375	WASHER,20.5X31X1.5					2
92200A	92200-1389	WASHER					4
92200B	92200-1932	WASHER					1
92210	92210-0850	NUT,20MM					1
600	600A0500	BALL-STEEL,5/32					3

E1370



13. Gear Change Mechanism

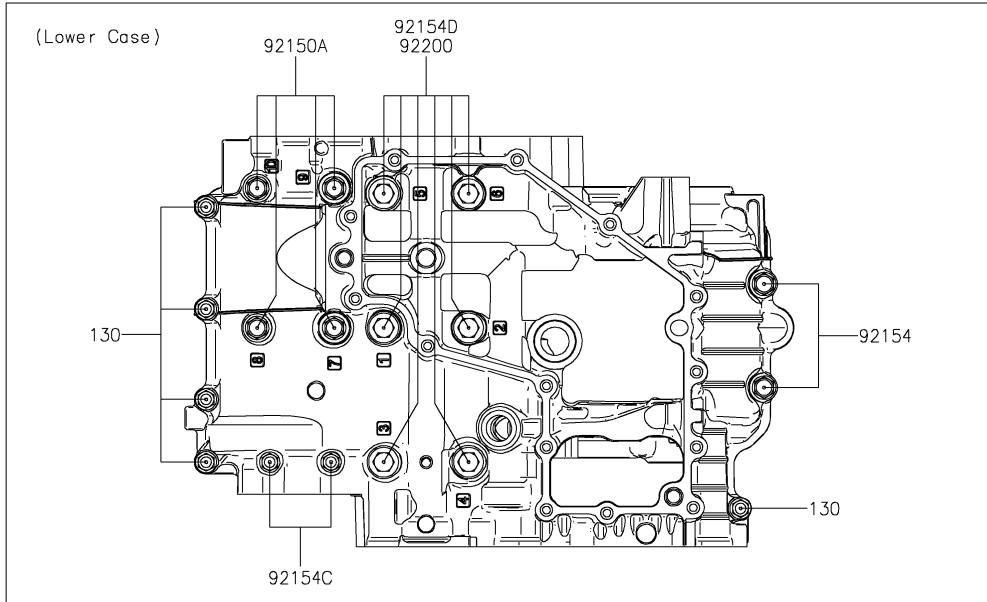
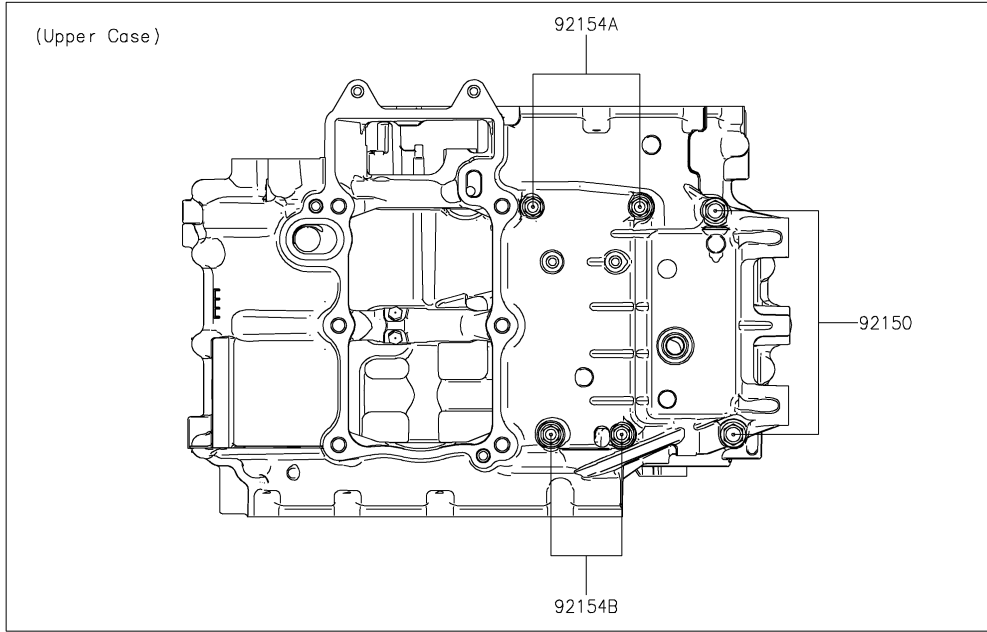
Ref. No.	Part No.	Description	Spec Code	Quantity			
				'22			
				DNFNN			
13161	13161-0610	LEVER-COMP-CHANGE SHAFT					1
13236	13236-0794	LEVER-COMP, POSITION					1
13242	13242-0145	LEVER-ASSY-CHANGE					1
13242A	13242-0146	LEVER-ASSY-CHANGE, PEDAL					1
39110	39110-0045	ROD-ASSY-TIE					1
92022	92022-1628	WASHER, CHANGE SHAFT					1
92026	92026-1217	SPACER					1
92145	92145-1783	SPRING, RETURN					1
92145A	92145-1813	SPRING, PAWL RETURN					1
92145B	92145-1814	SPRING, DRUM POSITION					1
92152	92152-2370	COLLAR, 14.2X19.9X14.3					1
92154	92154-1838	BOLT, RETURN SPRING					1
92154A	92154-2730	BOLT					1
92154B	92154-2731	BOLT, SOCKET, 6X14					1
92161	92161-1466	DAMPER, CHANGE PEDAL					1
92200	92200-0490	WASHER, 8.5X20X1.6					1
92200A	92200-1933	WASHER, 14.2X25X1					1
92200B	92200-2295	WASHER, 14.3X30X1.2					1
92210	92210-1596	NUT, 6MM					1
92210A	92210-1597	NUT, LEFT HANDED, 6MM					1
130	130CB0620	BOLT-FLANGED, 6X20					1
480	480J1400	CIRCLIP-TYPE-C, 14MM					1
482	482J0200	CIRCLIP-TYPE-E, 12MM					1



14. Crankcase

Ref. No.	Part No.	Description	Spec Code	Quantity			
				'22			
				DNFNN			
11012	11012-1770	CAP,LH					1
14001	14001-0717	SET-CRANKCASE					1
14013	14013-004	RING-POSITION					1
14014	14014-0576	PLATE-POSITION					1
16165	16165-0016	SEPARATOR					1
32144	32144-0008	PIPE-ASSY					1
92005	92005-0713	FITTING,BREATHER					1
92043	92043-0963	PIN,12X14					3
92043A	92043-1309	PIN,3.5X6X16					2
92046	92046-0043	BEARING-NEEDLE,HK1412FM					1
92049	92049-0799	SEAL-OIL					1
92049A	92049-1520	SEAL-OIL,TC14245					1
92062	92062-0004	NOZZLE					1
92062A	92062-0047	NOZZLE					2
92062B	92062-0048	NOZZLE					1
92066	92066-0003	PLUG,PT3/8X10					4
92154	92154-1426	BOLT,FLANGED,6X14					3
92154A	92154-2907	BOLT,FLANGED,6X14					1

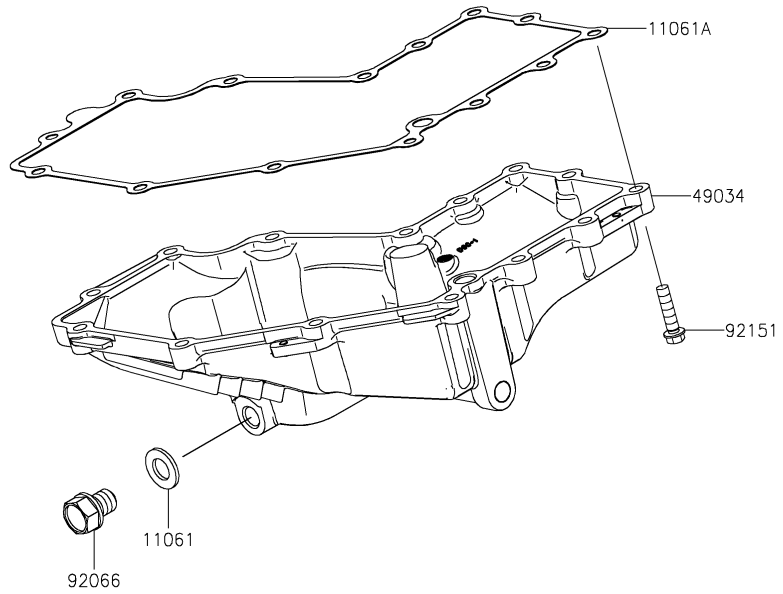
E1412



15. Crankcase Bolt Pattern

Ref. No.	Part No.	Description	Spec Code	Quantity			
				'22			
				DNFNN			
92150	92150-1162	BOLT,8X80					2
92150A	92150-1483	BOLT,8X70					4
92154	92154-0992	BOLT,FLANGED,8X40					2
92154A	92154-2679	BOLT,FLANGED,6X72					2
92154B	92154-2680	BOLT,FLANGED,6X52					2
92154C	92154-2681	BOLT,FLANGED,6X76					2
92154D	92154-2986	BOLT,FLANGED,9X105					6
92200	92200-0115	WASHER,9.2X19X2.3					6
130	130CA0630	BOLT-FLANGED,6X30					5

E1434



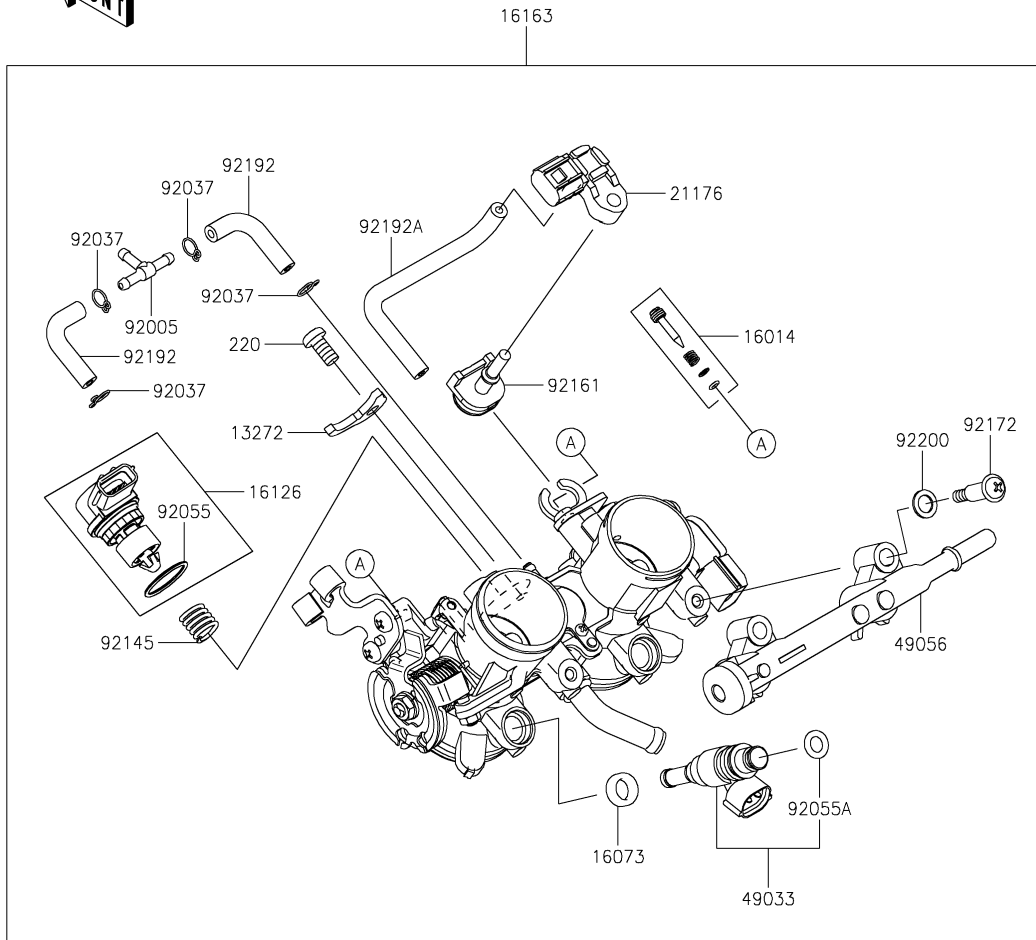
17. Oil Pan

Ref. No.	Part No.	Description	Spec Code	Quantity			
				'22			
11061	11061-0417	GASKET,12X22X2					1
11061A	11061-1251	GASKET,OILPAN					1
49034	49034-0568	PAN-OIL					1
92066	92066-0767	PLUG,OIL DRAIN,12X15					1
92151	92151-1930	BOLT,FLANGED-SMALL,6X25					14

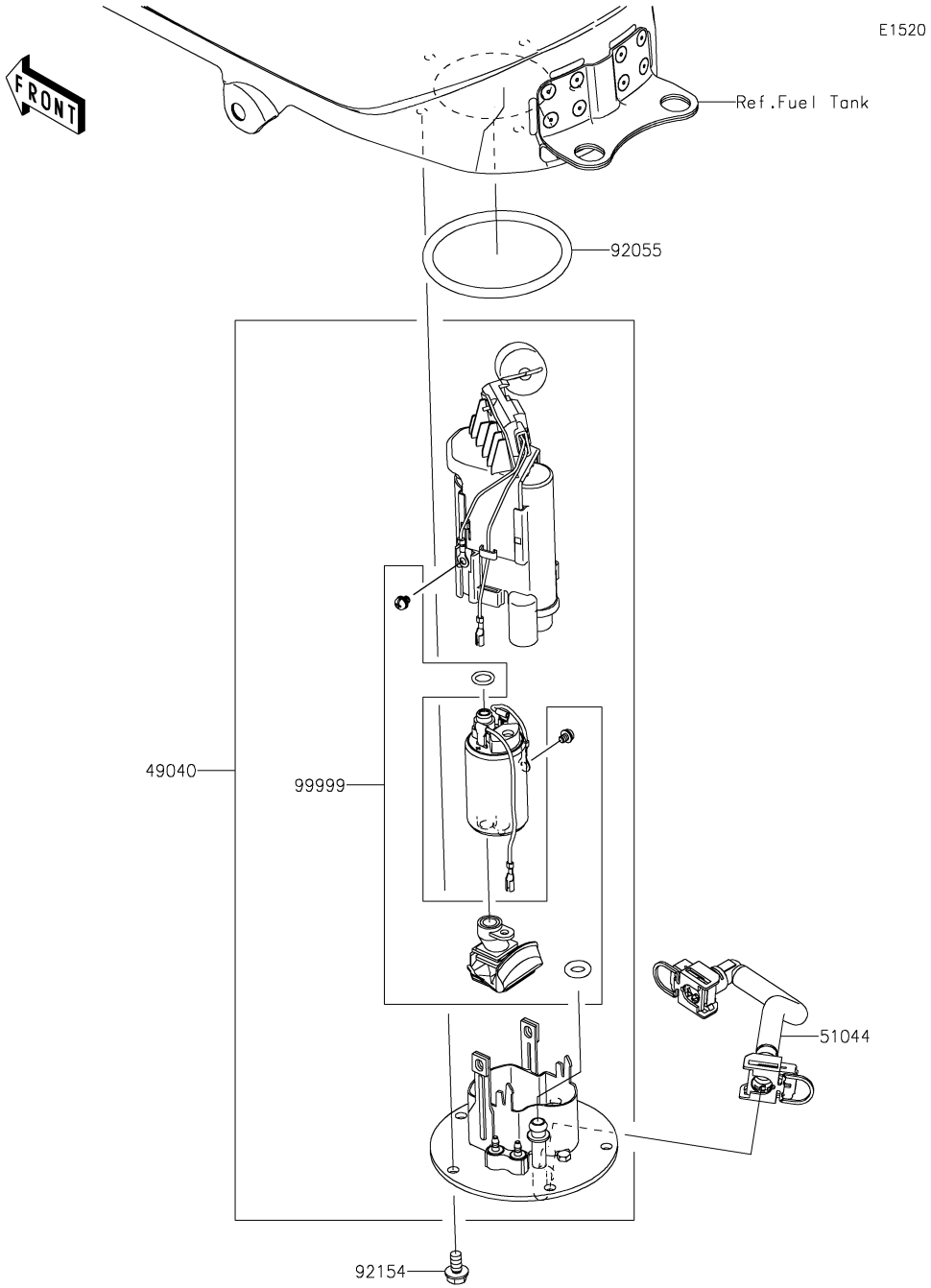
18. Throttle

Ref. No.	Part No.	Description	Spec Code	Quantity			
				'22			
				DNFNN			

13272	13272-2558	PLATE					1
16014	16014-0022	SCREW-PILOT AIR					2
16073	16073-0866	INSULATOR					2
16126	16126-0748	VALVE,ISC					1
16163	16163-0976	THROTTLE-ASSY					1
21176	21176-0111	SENSOR,PRESSURE					1
49033	49033-0047	NOZZLE-INJECTION					2
49056	49056-0050	PIPE-INJECTION					1
92005	92005-1380	FITTING					1
92037	92037-1124	CLAMP,TUBE					4
92055	92055-0907	RING-O					1
92055A	92055-2187	RING-O,REGULATOR-FUEL					2
92145	92145-1826	SPRING					1
92161	92161-0673	DAMPER					1
92172	92172-1257	SCREW					2
92192	92192-1349	TUBE,3.5X7.5X55					2
92192A	92192-1906	TUBE					1
92200	92200-3807	WASHER					2
220	220AA0612	SCREW-PAN-CROS,6X12					1

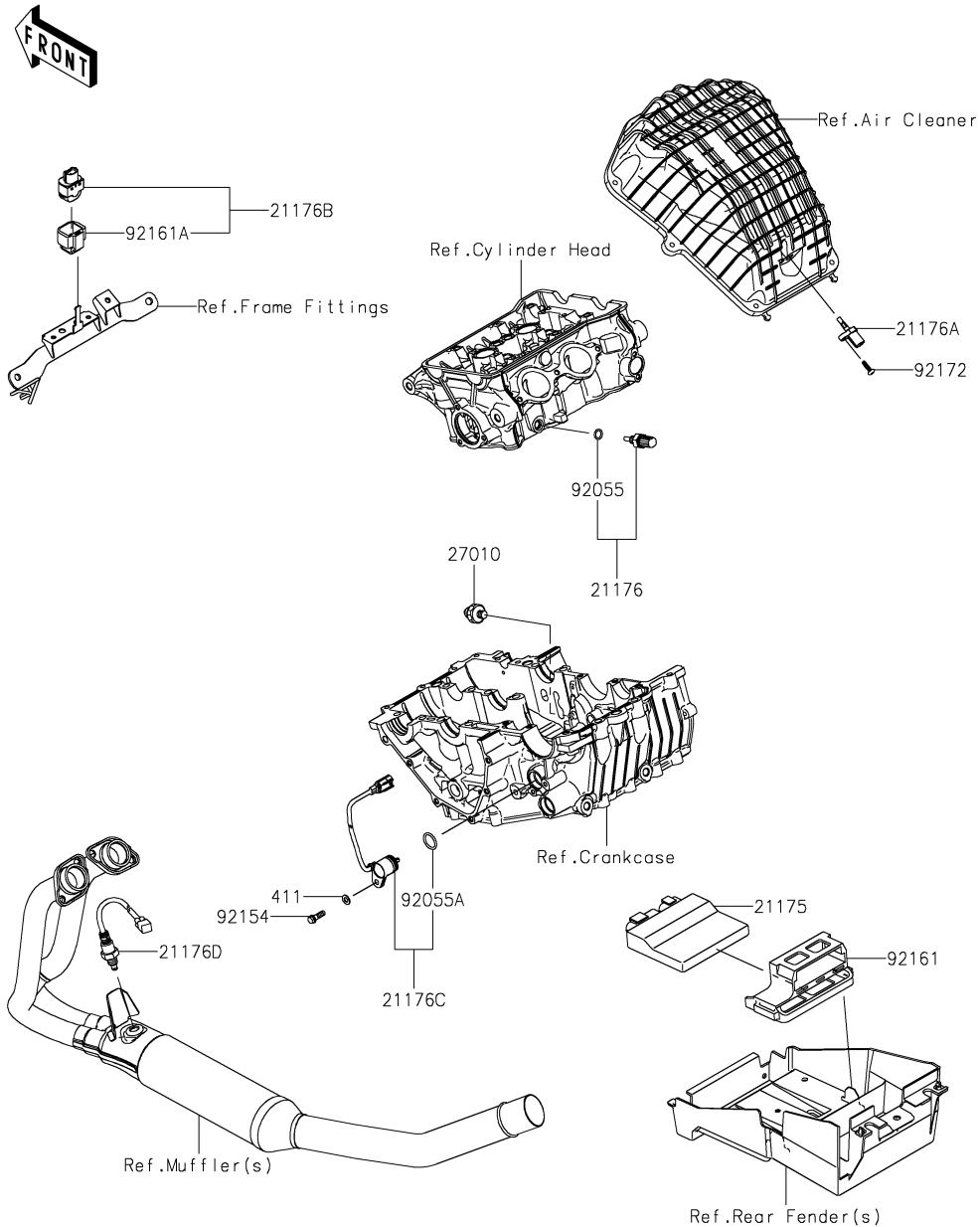


19. Fuel Pump



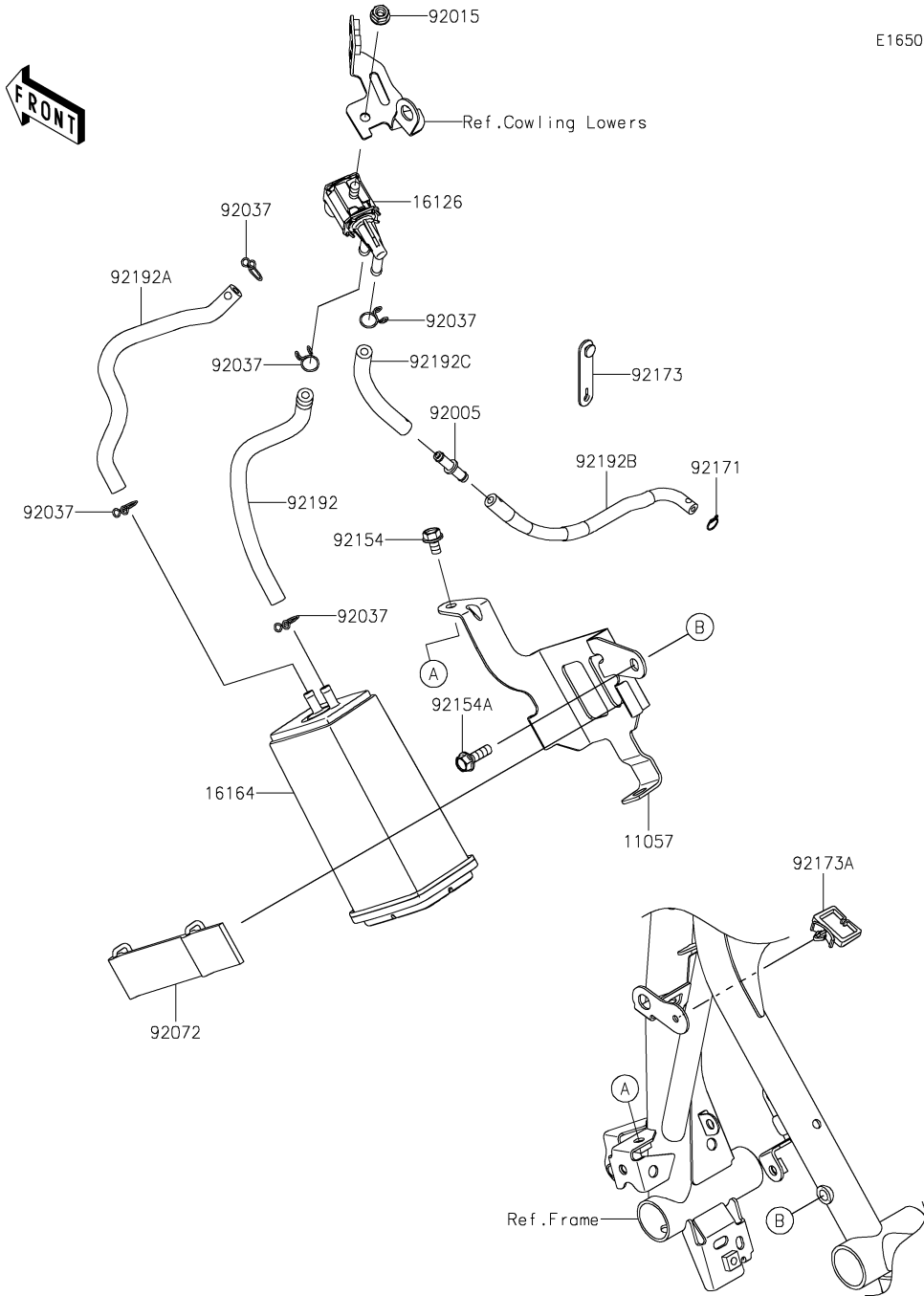
Ref. No.	Part No.	Description	Spec Code	Quantity			
				'22			
				DNFNN			
49040	49040-0763	PUMP-FUEL					1
51044	51044-0843	TUBE-ASSY,FUEL					1
92055	92055-0728	RING-O,74.6X5.7					1
92154	92154-2335	BOLT,FLANGED,6X12					5
99999	99999-0525	KIT,FUEL FILTER					1

E1530



20. Fuel Injection

Ref. No.	Part No.	Description	Spec Code	Quantity			
				'22			
21175	21175-1442	CONTROL UNIT-ELECTRONIC				1	
21176	21176-0009	SENSOR,WATER TEMP				1	
21176A	21176-0048	SENSOR,AIR TEMPERATURE				1	
21176B	21176-0704	SENSOR,VEHICLE-DOWN				1	
21176C	21176-0852	SENSOR,GEAR POSITION				1	
21176D	21176-0892	SENSOR,OXYGEN				1	
27010	27010-1313	SWITCH,OIL PRESSURE				1	
92055	92055-0016	RING-O,9.5X1.9				1	
92055A	92055-0917	RING-O				1	
92154	92154-3764	BOLT				1	
92161	92161-0356	DAMPER				1	
92161A	92161-0951	DAMPER				1	
92172	92172-0790	SCREW,TAPPING,5X16				1	
411	411AA0600	WASHER-PLAIN,6MM				1	

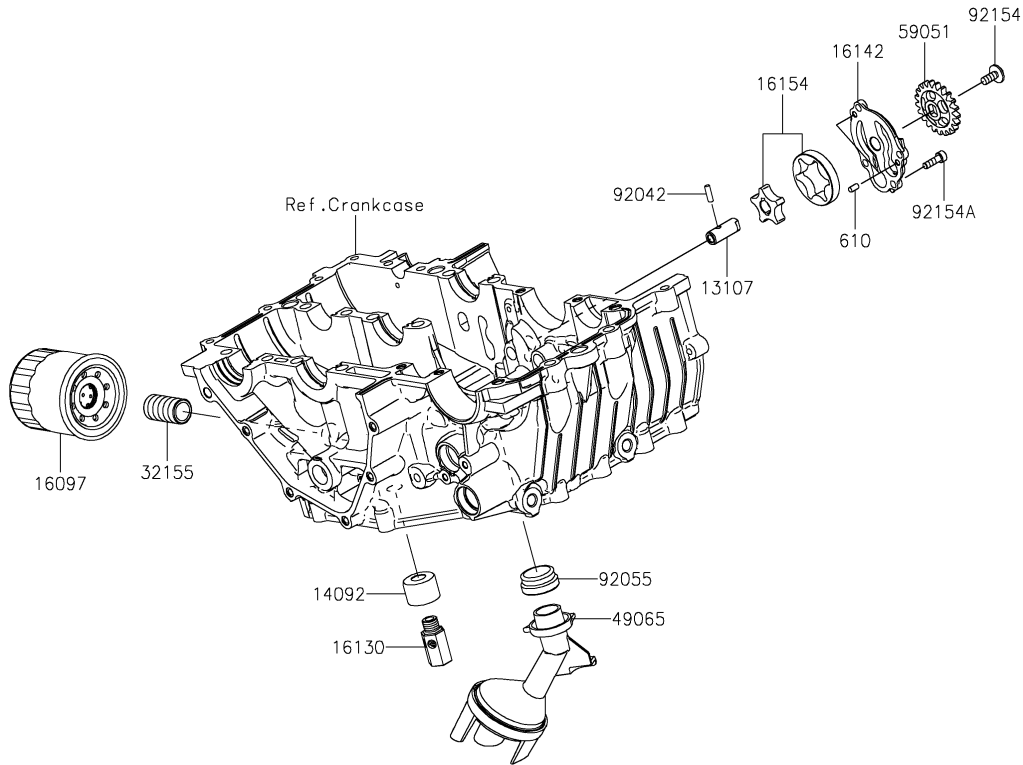


E1650

Ref. No.	Part No.	Description	Spec Code	Quantity			
				'22			
				DNFNN			
11057	11057-2143	BRACKET,CANISTER					1
16126	16126-0705	VALVE,SOLENOID					1
16164	16164-0012	CANISTER					1
92005	92005-0721	FITTING					1
92015	92015-1367	NUT,FLANGED,6MM					1
92037	92037-147	CLAMP,TUBE					5
92072	92072-0815	BAND,CANISTER					1
92154	92154-2939	BOLT,FLANGED,6X10					1
92154A	92154-3812	BOLT-FLANGED,6X20					1
92171	92171-0573	CLAMP					1
92173	92173-1229	CLAMP,RUBBER PLATE					1
92173A	92173-1242	CLAMP,CABLE CLIP					1
92192	92192-1229	TUBE,5X10.4X220					1
92192A	92192-1806	TUBE,FUEL TANK-CANISTER					1
92192B	92192-1920	TUBE,FITTING-THROTTLE BODY					1
92192C	92192-1923	TUBE,5X10.4X92					1

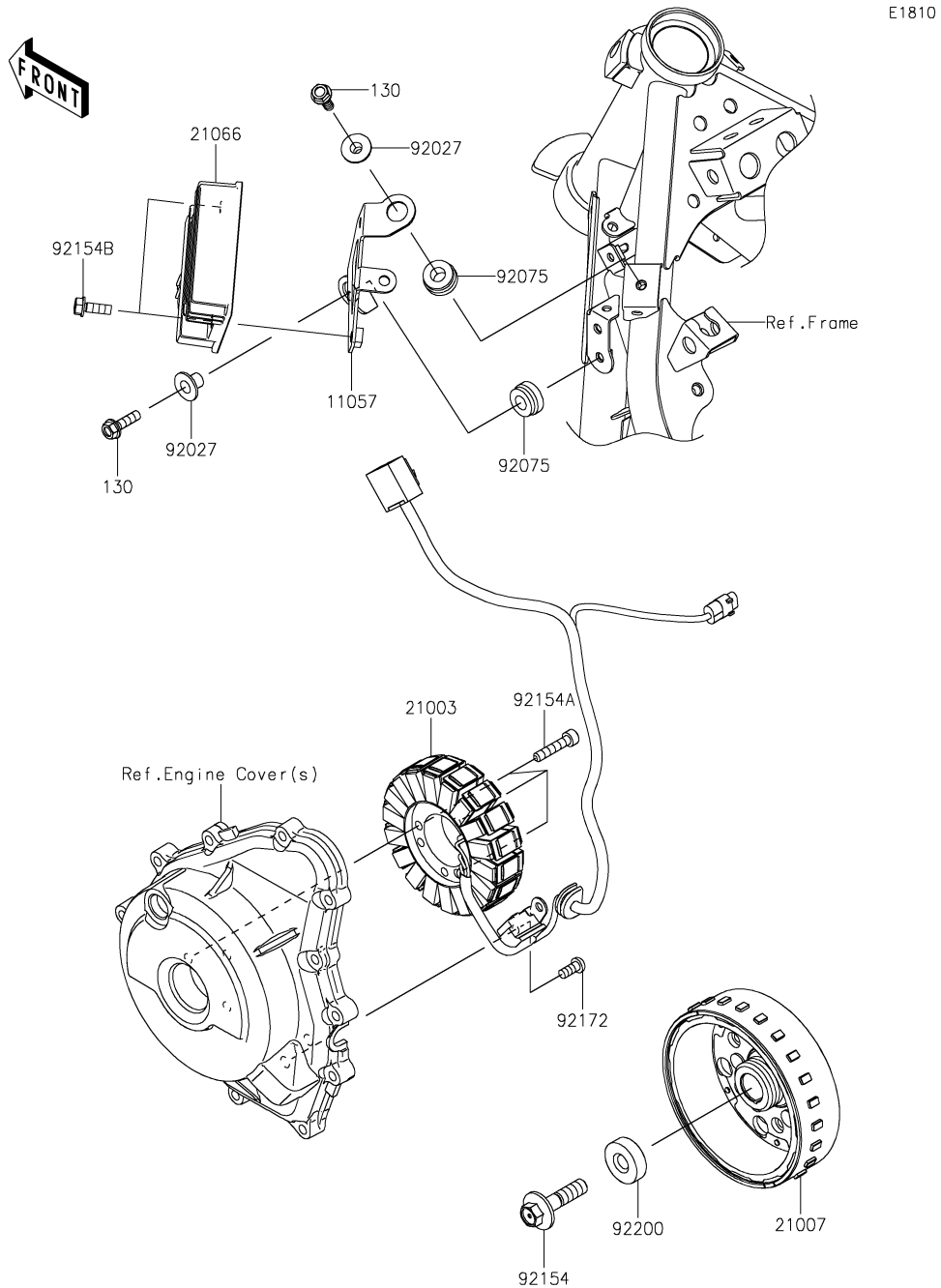


E1710

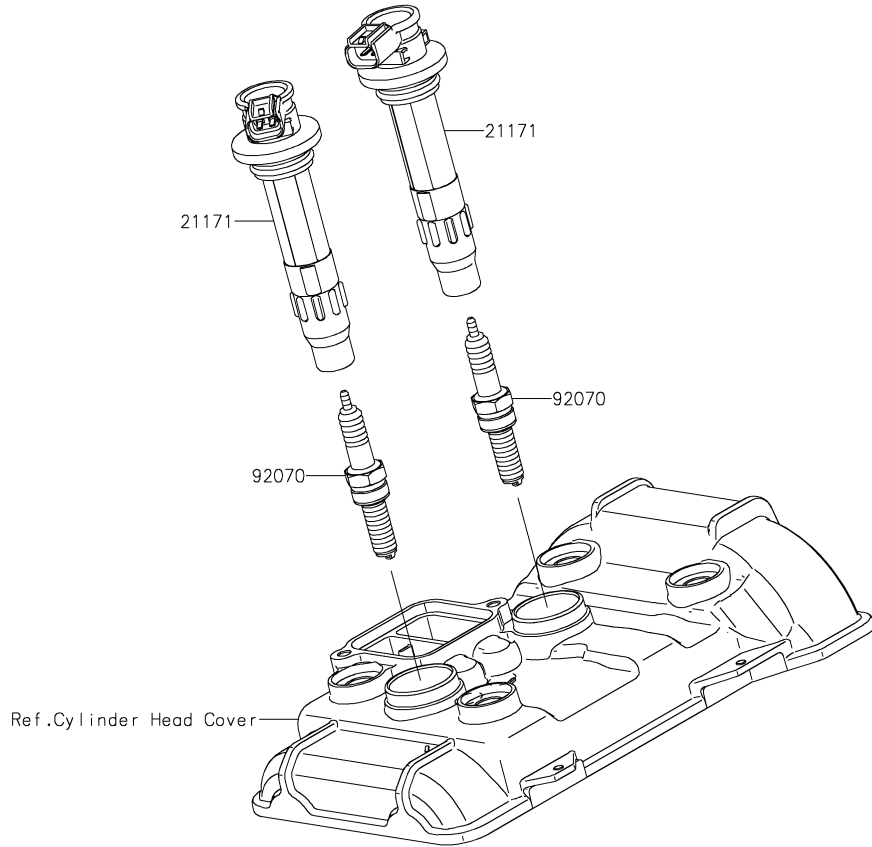


22. Oil Pump

Ref. No.	Part No.	Description	Spec Code	Quantity			
				'22			
				DNFNN			
13107	13107-0905	SHAFT					1
14092	14092-1002	COVER,RELIEF VALVE					1
16097	16097-0552	FILTER-ASSY-OIL					1
16130	16130-0006	VALVE-ASSY-RELIEF					1
16142	16142-0748	COVER-PUMP					1
16154	16154-0738	ROTOR-PUMP					1
32155	32155-0029	PIPE,OIL FILTER					1
49065	49065-0048	FILTER-OIL					1
59051	59051-0797	GEAR-SPUR,OIL PUMP,21T					1
92042	92042-030	PIN,DOWEL,4X13.8					1
92055	92055-1354	RING-O,OIL FILTER					1
92154	92154-2731	BOLT,SOCKET,6X14					1
92154A	92154-2792	BOLT,SOCKET,5X16					4
610	610A0408	ROLLER,4X8					2

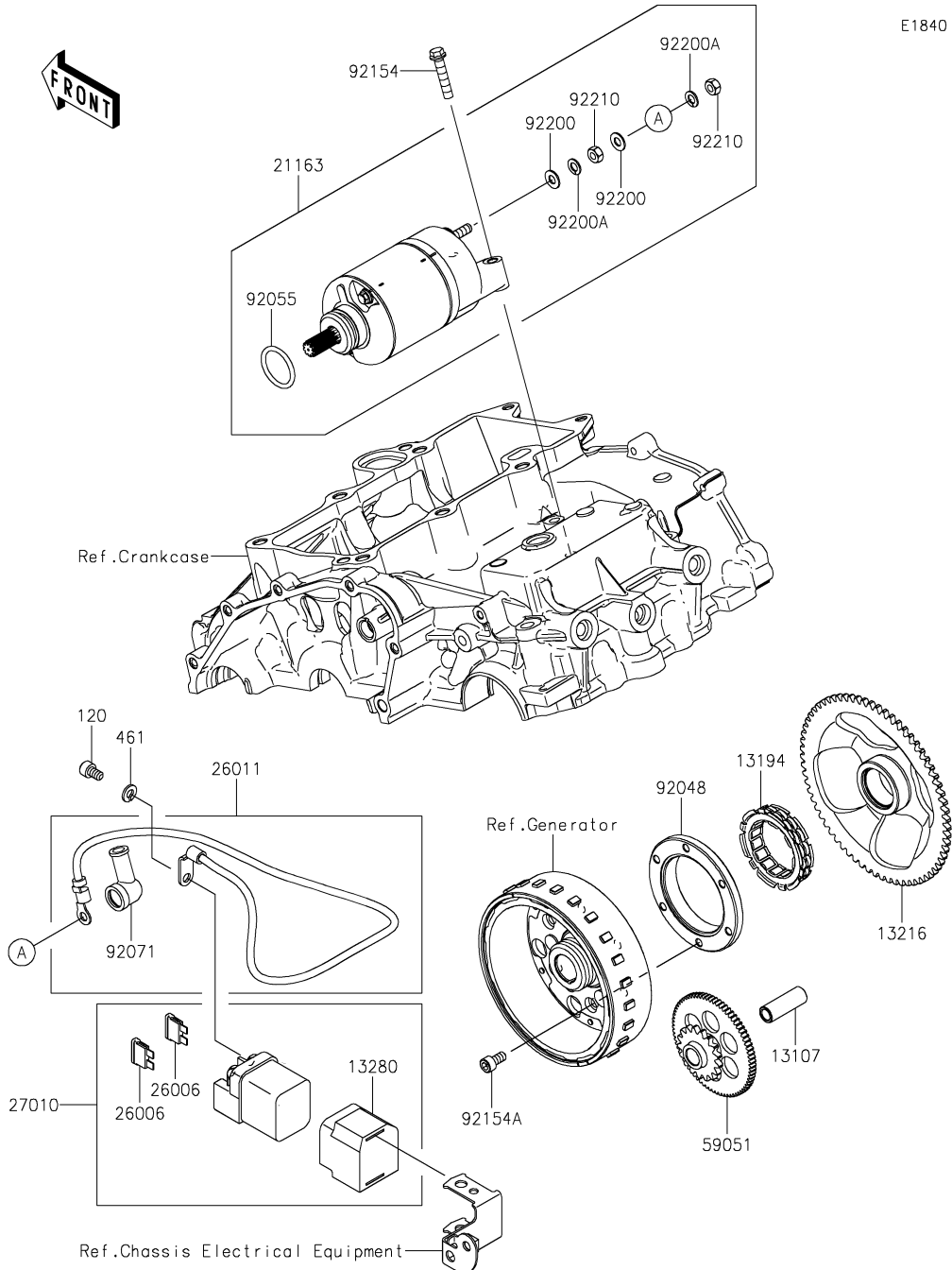


Ref. No.	Part No.	Description	Spec Code	Quantity			
				'22			
				DNFNN			
11057	11057-1977	BRACKET,REGULATOR					1
21003	21003-0178	STATOR					1
21007	21007-0653	ROTOR					1
21066	21066-0761	REGULATOR-VOLTAGE					1
92027	92027-1651	COLLAR,FLANGED,L=12.1,BLACK					2
92075	92075-277	DAMPER					2
92154	92154-2341	BOLT,FLANGED,10X40					1
92154A	92154-2820	BOLT,SOCKET,6X30					3
92154B	92154-2896	BOLT,FLANGED,6X18					2
92172	92172-1212	SCREW,6X14					2
92200	92200-0790	WASHER,10X30X9					1
130	130BA0622	BOLT-FLANGED,6X22					2



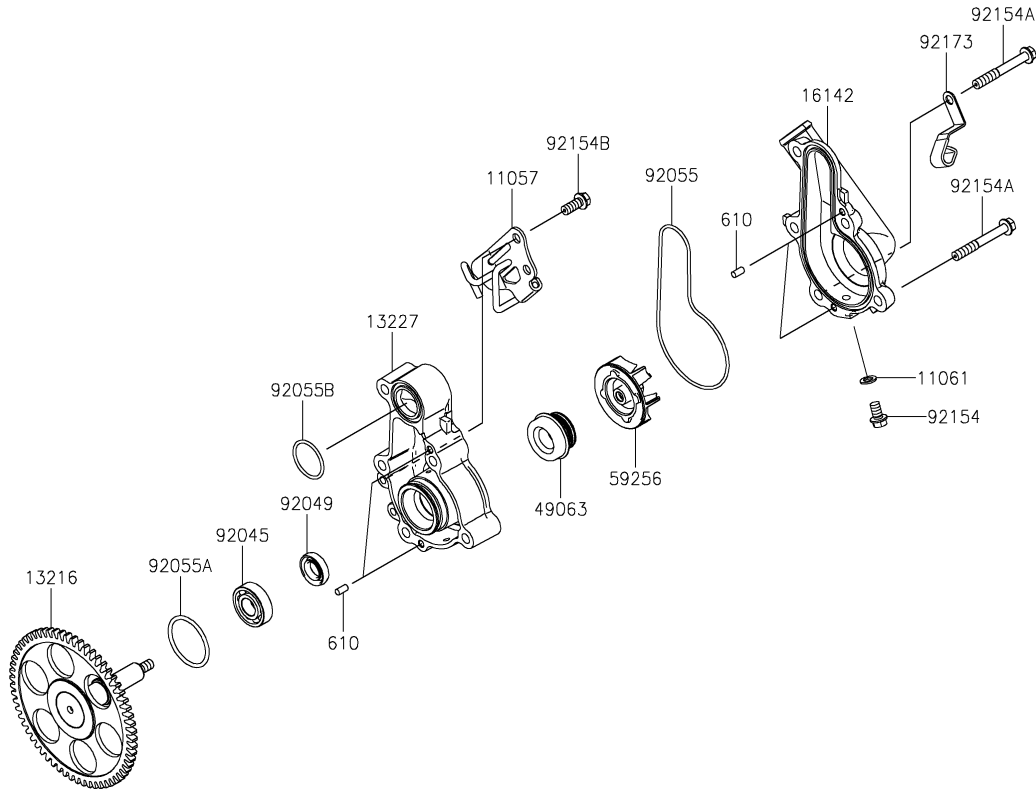
24. Ignition System

Ref. No.	Part No.	Description	Spec Code	Quantity			
				'22			
21171	21171-0751	COIL-ASSY-IGNITION				2	
92070	92070-0716	PLUG-SPARK,LMAR9G(NGK)				2	

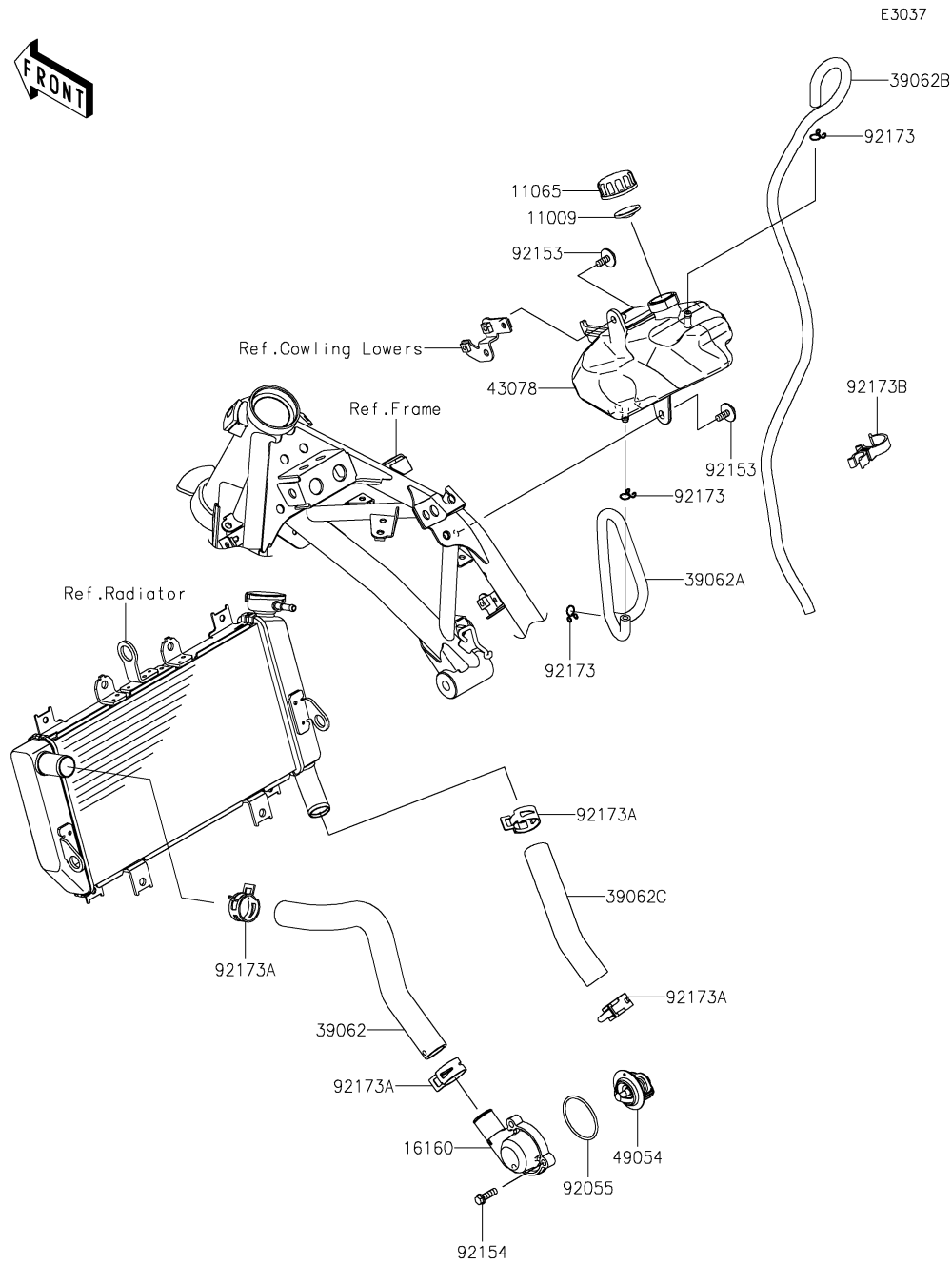


Ref. No.	Part No.	Description	Spec Code	Quantity			
				'22			
				DNFNN			
13107	13107-0861	SHAFT,IDLER					1
13194	13194-1096	CLUTCH-ONEWAY					1
13216	13216-0895	GEAR-COMP,ONEWAY CLUTCH,67T					1
13280	13280-0301	HOLDER					1
21163	21163-0794	STARTER-ELECTRIC					1
26006	26006-1006	FUSE,BLADE,30A,GREEN					2
26011	26011-1867	WIRE-LEAD,STARTER					1
27010	27010-0099	SWITCH,MAGNETIC					1
59051	59051-0799	GEAR-SPUR,IDLER					1
92048	92048-0024	RACE					1
92055	92055-0822	RING-O					1
92071	92071-0787	GROMMET					1
92154	92154-1773	BOLT,FLANGED,6X30					2
92154A	92154-1889	BOLT,SOCKET,6X12					6
92200	92200-1678	WASHER					2
92200A	92200-1679	WASHER					2
92210	92210-1664	NUT					2
120	120CA0610	BOLT-SOCKET,6X10					2
461	461DA0600	WASHER-SPRING,6MM					2

E3031

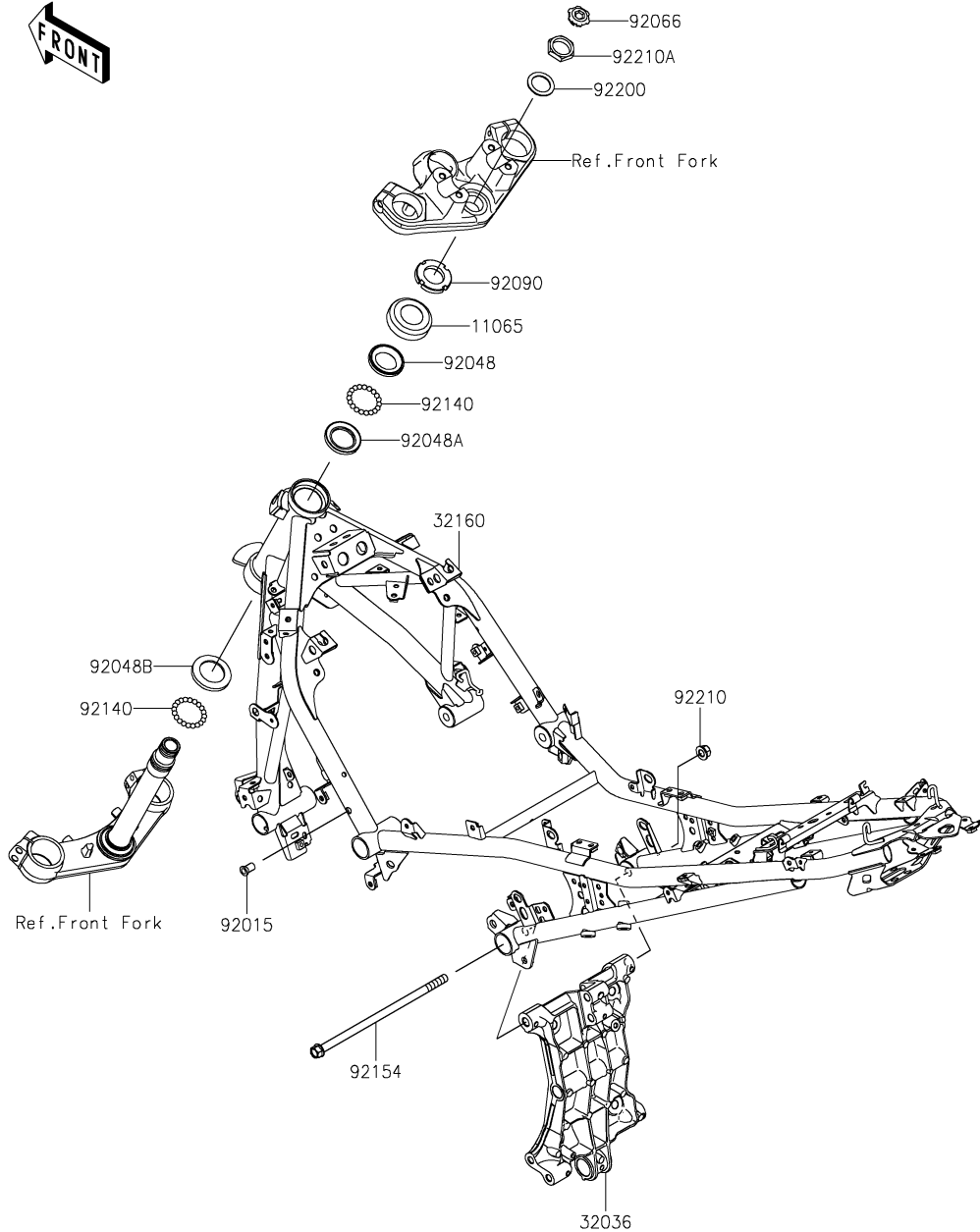


Ref. No.	Part No.	Description	Spec Code	Quantity			
				'22			
				DNFNN			
11057	11057-1881	BRACKET,OXYGEN SENSOR					1
11061	11061-0875	GASKET,DRAIN					1
13216	13216-0894	GEAR-COMP,WATER PUMP,62T					1
13227	13227-0040	HOUSING					1
16142	16142-0757	COVER-PUMP,WATER					1
49063	49063-1055	SEAL-MECHANICAL,WATER					1
59256	59256-0554	IMPELLER					1
92045	92045-0067	BEARING-BALL					1
92049	92049-0783	SEAL-OIL,12X22X5					1
92055	92055-0889	RING-O					1
92055A	92055-0896	RING-O,31.20X2.4					1
92055B	92055-1555	RING-O,23.3X1.9					1
92154	92154-2344	BOLT,FLANGED,6X10					1
92154A	92154-2789	BOLT,FLANGED,6X45					5
92154B	92154-2838	BOLT,FLANGED,6X14					2
92173	92173-1935	CLAMP					1
610	610A0408	ROLLER,4X8					4



Ref. No.	Part No.	Description	Spec Code	Quantity			
				'22			
				DNFNN			
11009	11009-1145	GASKET,RESERVOIR TANK CAP					1
11065	11065-0969	CAP					1
16160	16160-0830	BODY,THERMOSTAT					1
39062	39062-0781	HOSE-COOLING,THERMO.-RADIATOR					1
39062A	39062-0824	HOSE-COOLING,RAD-RESERVOIR					1
39062B	39062-0825	HOSE-COOLING,OVERFLOW					1
39062C	39062-0861	HOSE-COOLING,RADIATOR-W/PUMP					1
43078	43078-0605	RESERVOIR					1
49054	49054-0001	THERMOSTAT					1
92055	92055-0992	RING-O,46.7X2.4					1
92153	92153-1798	BOLT,FLANGED-SMALL,6X16					2
92154	92154-1778	BOLT,FLANGED,6X20					3
92173	92173-0050	CLAMP					3
92173A	92173-1688	CLAMP					4
92173B	92173-1691	CLAMP					1

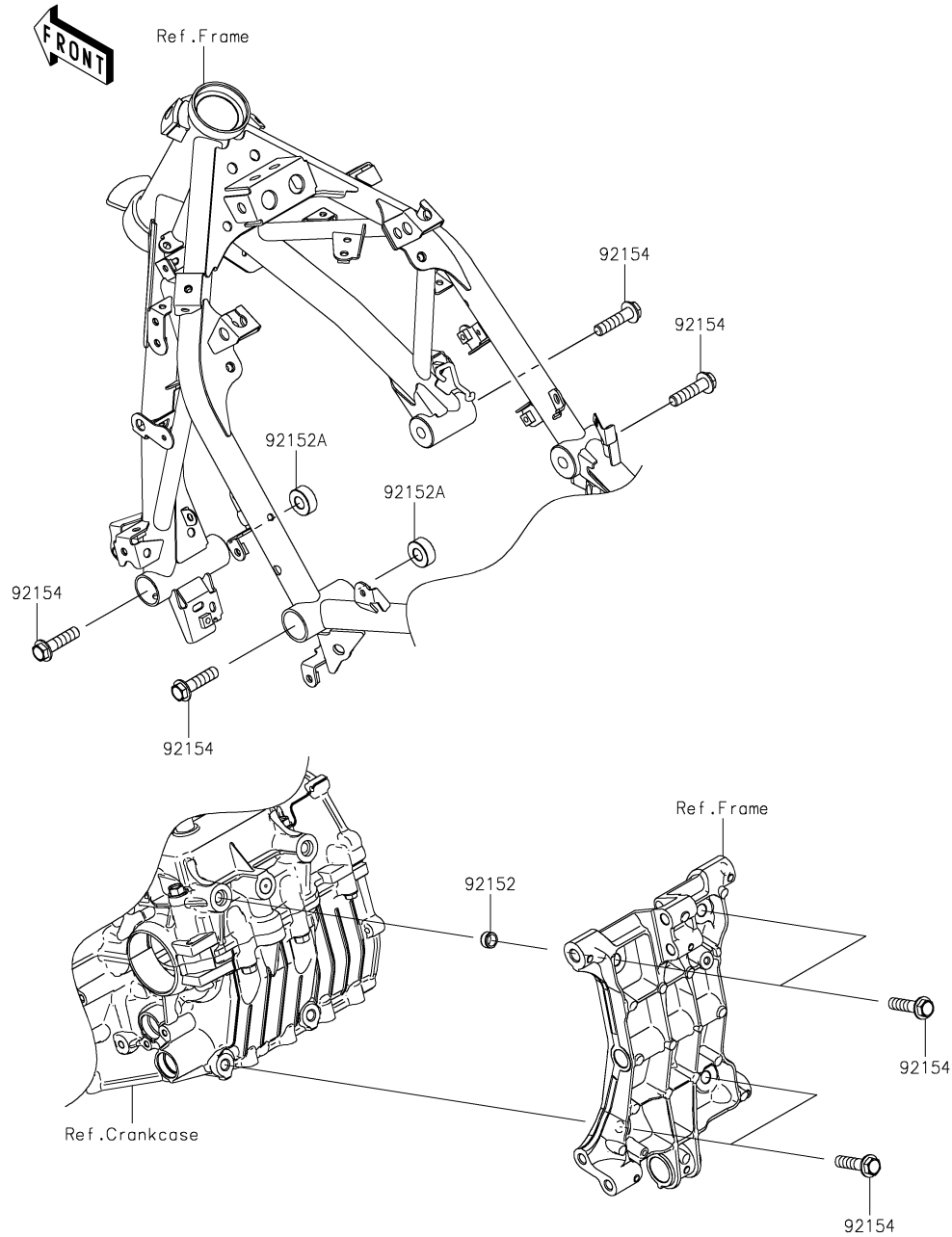
F2120



29. Frame

Ref. No.	Part No.	Description	Spec Code	Quantity			
				'22			
				DNFNN			
11065	11065-1290	CAP					1
32036	32036-0376	BRACKET-SWINGARM					1
32160	32160-0992-18R	FRAME-COMP,F.S.BLACK					1
92015	92015-1759	NUT,POP,6MM					1
92048	92048-0032	RACE,STEERING STEM BEARING					1
92048A	92048-0036	RACE,STEERING STEM BEARING					1
92048B	92048-0037	RACE,STEERING STEM BEARING					1
92066	92066-0915	PLUG					1
92090	92090-007	NUT,30MM					1
92140	92140-0008	BALL,6.35MM					39
92154	92154-3738	BOLT,FLANGED,10X231					1
92200	92200-1858	WASHER,25.5X36X1.6					1
92210	92210-1139	NUT,LOCK,FLANGED,10MM					1
92210A	92210-1586	NUT,25MM					1

F2122



30. Engine Mount

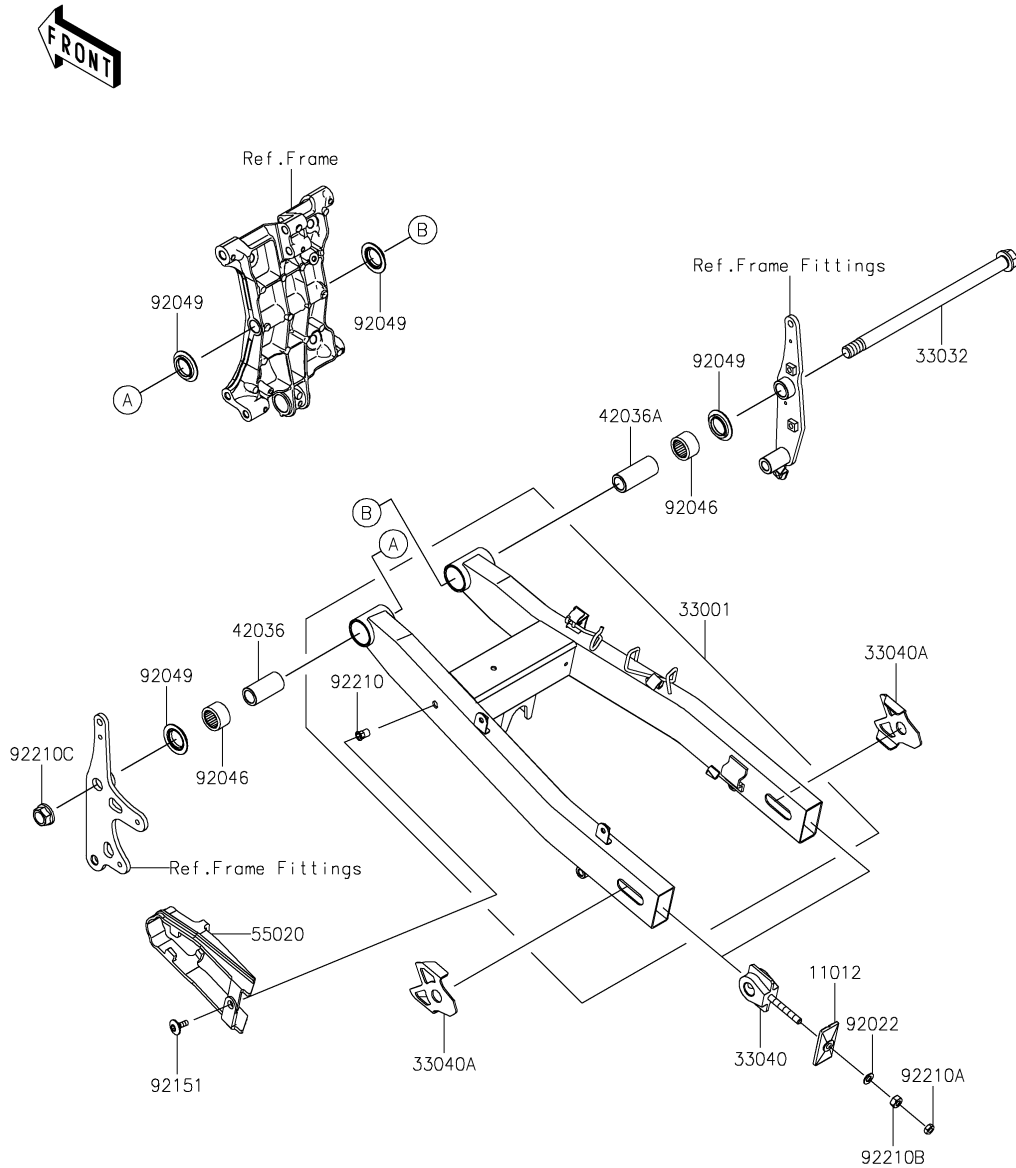
Ref. No.	Part No.	Description	Spec Code	Quantity			
				'22			
92152	92152-0679	COLLAR,DOWEL PIN					2
92152A	92152-2397	COLLAR,11X25X10					2
92154	92154-2812	BOLT,FLANGED,10X40					8

F2141

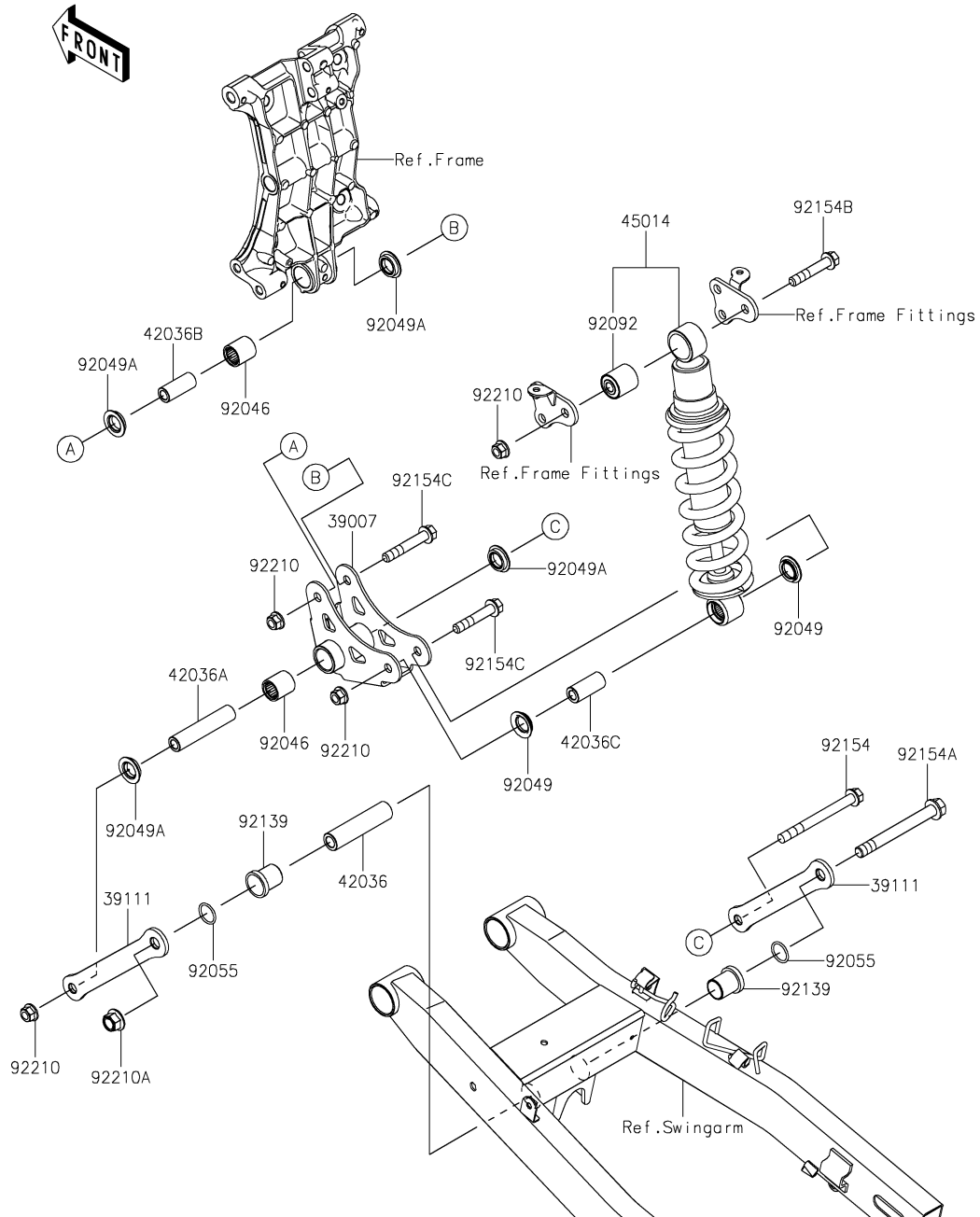
32. Swingarm

Ref. No.	Part No.	Description	Spec Code	Quantity			
				'22			
				DNFNN			

11012	11012-1871-18R	CAP,CHAIN ADJUSTER,F.S.BLACK		2
33001	33001-0681-18R	ARM-COMP-SWING,F.S.BLACK		1
33032	33032-0056	SHAFT-SWING ARM,17X285		1
33040	33040-0089	ADJUSTER-CHAIN		2
33040A	33040-0090-18R	ADJUSTER-CHAIN,F.S.BLACK		2
42036	42036-0805	SLEEVE		1
42036A	42036-0806	SLEEVE		1
55020	55020-2199	GUARD,CHAIN		1
92022	92022-1582	WASHER,8.5X16X1.2		2
92046	92046-1228	BEARING-NEEDLE,BM2520		2
92049	92049-1426	SEAL-OIL,MF025N1		4
92151	92151-1149	BOLT,SOCKET,6X18		1
92210	92210-1397	NUT,POP,6MM,L=15		1
92210A	92210-1588	NUT,8MM,5X12		2
92210B	92210-1589	NUT,8MM,6.5X14		2
92210C	92210-1590	NUT,16MM		1

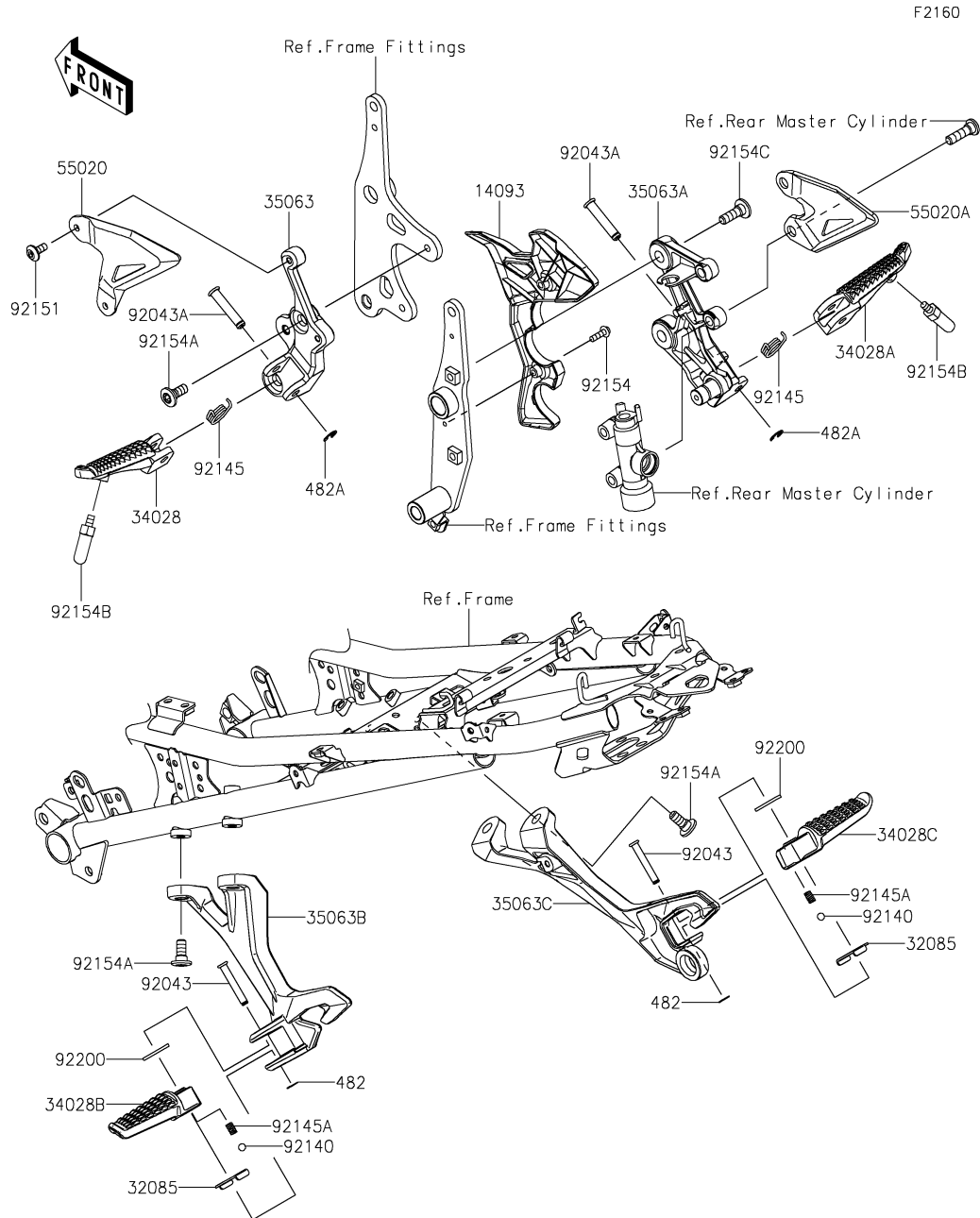


F2151



33. Suspension/Shock Absorber

Ref. No.	Part No.	Description	Spec Code	Quantity			
				'22			
				DNFNN			
39007	39007-0438	ARM-SUSP					1
39111	39111-0365	ROD-TIE,SUSPENSION					2
42036	42036-0807	SLEEVE,12.1X20X83					1
42036A	42036-0808	SLEEVE,10.1X17X83					1
42036B	42036-0809	SLEEVE,10.1X17X40.5					1
42036C	42036-0810	SLEEVE,10.1X18X40.5					1
45014	45014-0619-37S	SHOCKABSORBER,BLACK+BLK					1
92046	92046-1273	BEARING-NEEDLE,SFYZM172425					2
92049	92049-0133	SEAL-OIL					2
92049A	92049-1223	SEAL-OIL,MHA17245.7F					4
92055	92055-1215	RING-O,19.8X2.2					2
92092	92092-1058	BUSHING-RUBBER					1
92139	92139-0890	BUSHING,20X23X29					2
92154	92154-2810	BOLT,FLANGED,10X105					1
92154A	92154-2811	BOLT,FLANGED,12X110					1
92154B	92154-2813	BOLT,FLANGED,10X54					1
92154C	92154-3771	BOLT,FLANGED,10X60					2
92210	92210-1139	NUT,LOCK,FLANGED,10MM					4
92210A	92210-1150	NUT,LOCK,FLANGED,12MM					1



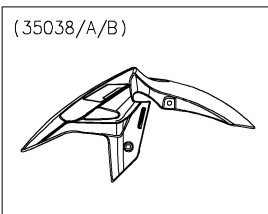
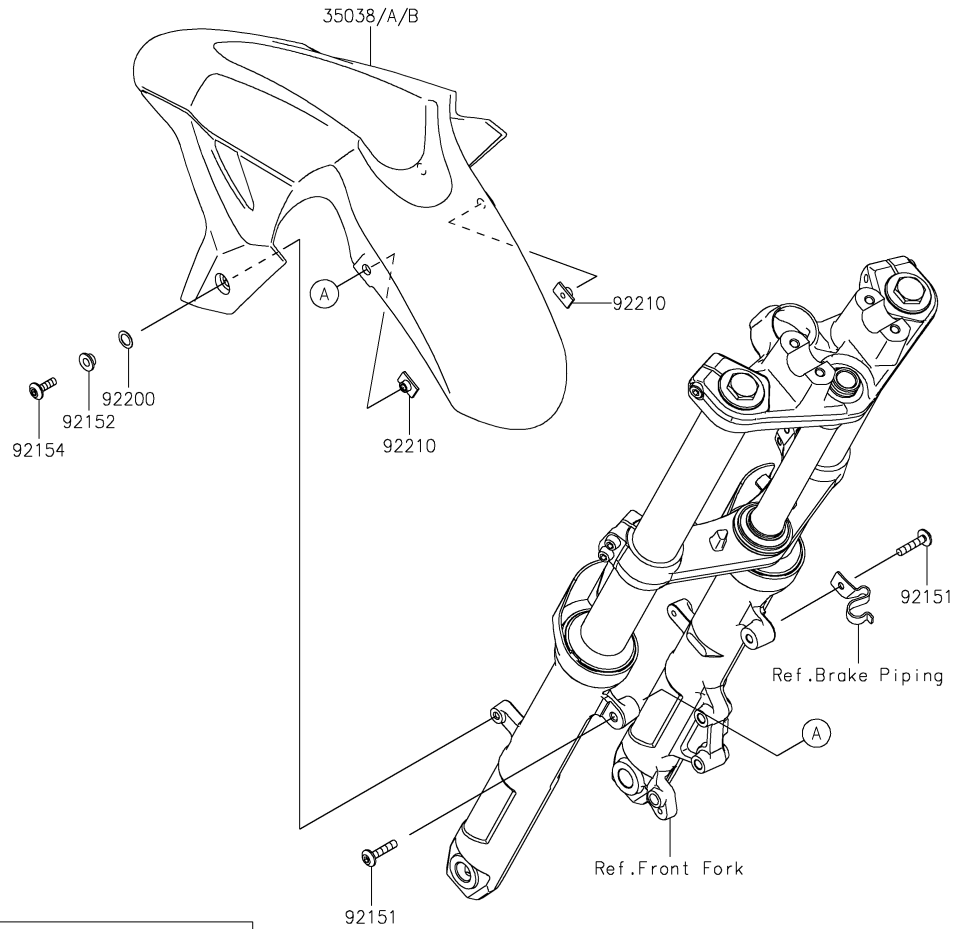
34. Footrests

Ref. No.	Part No.	Description	Spec Code	Quantity			
				'22			
				DNFNN			
14093	14093-0641	COVER,PIVOT,RH					1
32085	32085-0047	STOPPER,REAR STEP					2
34028	34028-0356	STEP,FR,LH					1
34028A	34028-0357	STEP,FR,RH					1
34028B	34028-0366	STEP,RR,LH					1
34028C	34028-0367	STEP,RR,RH					1
35063	35063-1407	STAY,FR STEP,LH					1
35063A	35063-1408	STAY,FR STEP,RH					1
35063B	35063-1409	STAY,RR STEP,LH					1
35063C	35063-1410	STAY,RR STEP,RH					1
55020	55020-2195	GUARD,HEEL,LH					1
55020A	55020-2196	GUARD,HEEL,RH					1
92043	92043-0200	PIN,6X40					2
92043A	92043-0877	PIN,8X40.5					2
92140	92140-0008	BALL,6.35MM					2
92145	92145-0780	SPRING					2
92145A	92145-1319	SPRING					2
92151	92151-1654	BOLT,SOCKET,6X14					2
92154	92154-0209	BOLT,SOCKET,5X16					2
92154A	92154-0936	BOLT,SOCKET,8X20					6
92154B	92154-2799	BOLT,BANK SENSOR					2
92154C	92154-3747	BOLT,SOCKET,8X26					2
92200	92200-0043	WASHER,16X26X2.3					2
482	482EA5000	CIRCLIP-TYPE-E					2
482A	482EA7000	CIRCLIP-TYPE-E					2

F2171

35. Front Fender(s)

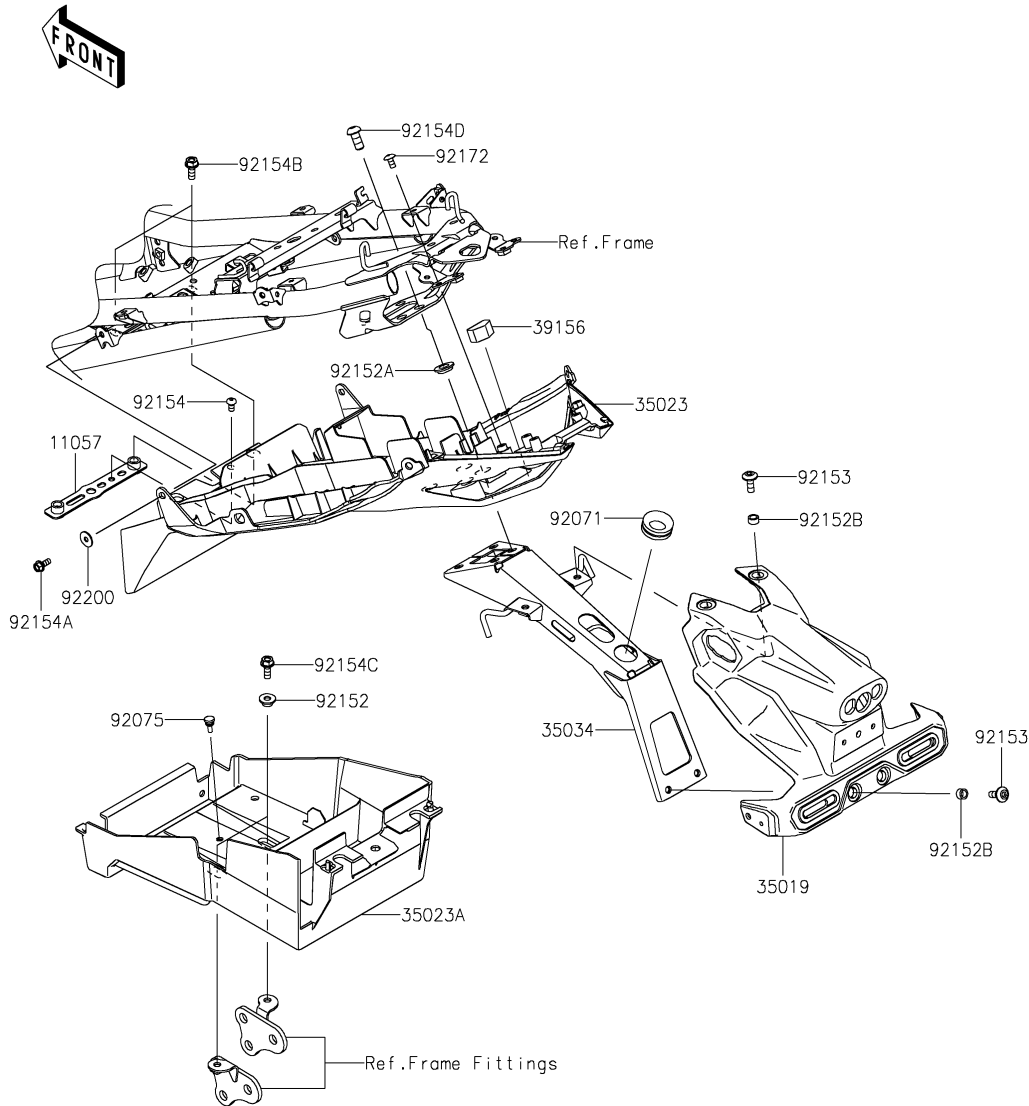
Ref. No.	Part No.	Description	Spec Code	Quantity			
				'22			
				DNFNN			
35038	35038-5187-68N	FENDER-FRONT,P.R.WHITE					1
35038A	35038-5208-660	FENDER-FRONT,M.S.BLACK					1
35038B	35038-5213-660	FENDER-FRONT,M.S.BLACK					1
92151	92151-1605	BOLT,SOCKET,6X30					2
92152	92152-0842	COLLAR,6.8X10(16)X6.6					2
92154	92154-0918	BOLT,SOCKET,6X20					2
92200	92200-0157	WASHER,10.4X15.9X0.5					2
92210	92210-1352	NUT,PLATE,6MM					2



WD

F2172

36. Rear Fender(s)

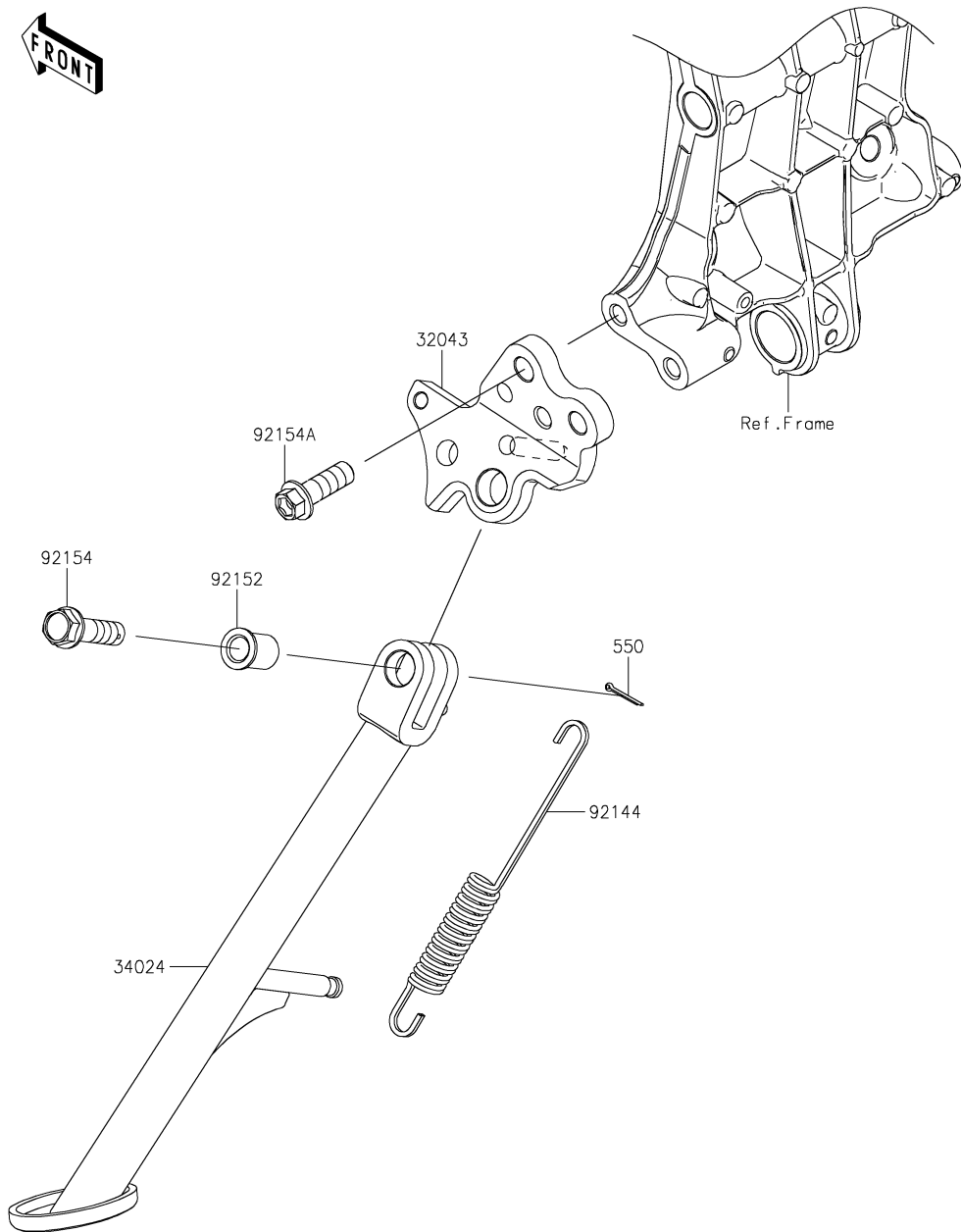


Ref. No.	Part No.	Description	Spec Code	Quantity			
				'22			
				DNFNN			
11057	11057-1191	BRACKET					1
35019	35019-0639	FLAP					1
35023	35023-0436	FENDER-REAR					1
35023A	35023-0438	FENDER-REAR					1
35034	35034-0601	REINFORCE					1
39156	39156-2379	PAD,16X24X13					1
92071	92071-0709	GROMMET					1
92075	92075-1808	DAMPER,6X10X15					1
92152	92152-2287	COLLAR,6.5X10X6.4					2
92152A	92152-2392	COLLAR,10X20X4.5					4
92152B	92152-2393	COLLAR,6.8X10X5.4					4
92153	92153-1526	BOLT, SOCKET,6X16					4
92154	92154-1547	BOLT, SOCKET,5X10					1
92154A	92154-2893	BOLT, FLANGED,5X12					2
92154B	92154-2895	BOLT, FLANGED,6X16					2
92154C	92154-2900	BOLT, FLANGED,6X16					2
92154D	92154-3739	BOLT, SOCKET,8X18					4
92172	92172-0262	SCREW, TAPPING,5X10					2
92200	92200-0583	WASHER,5.2X16X1.2					2

37. Stand(s)

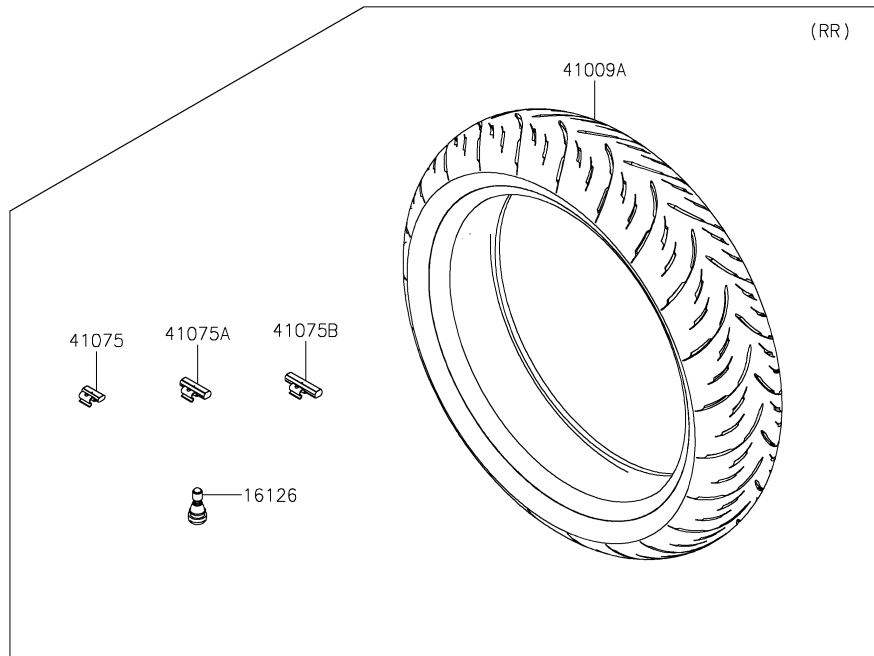
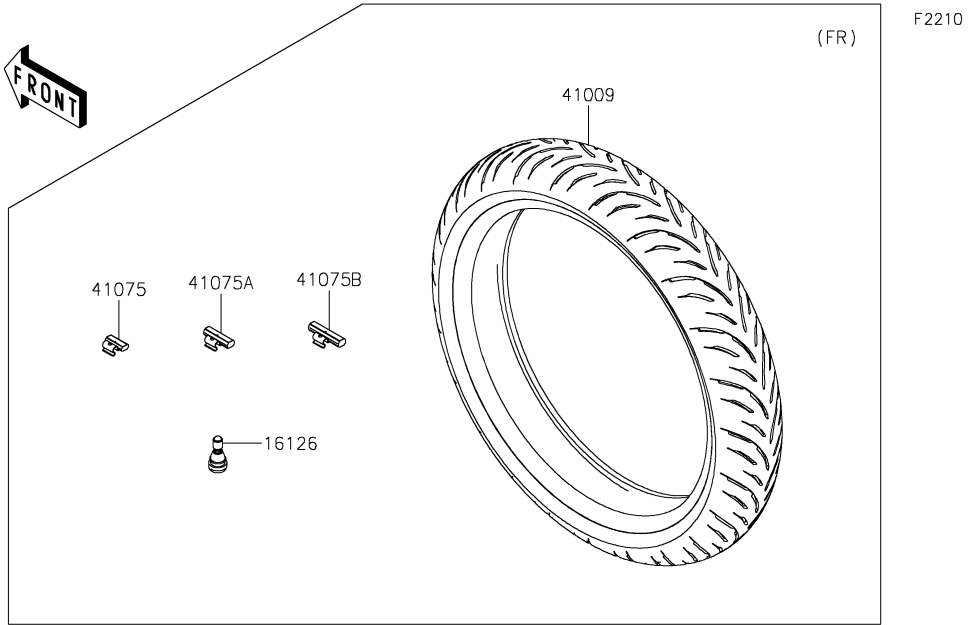


F2190



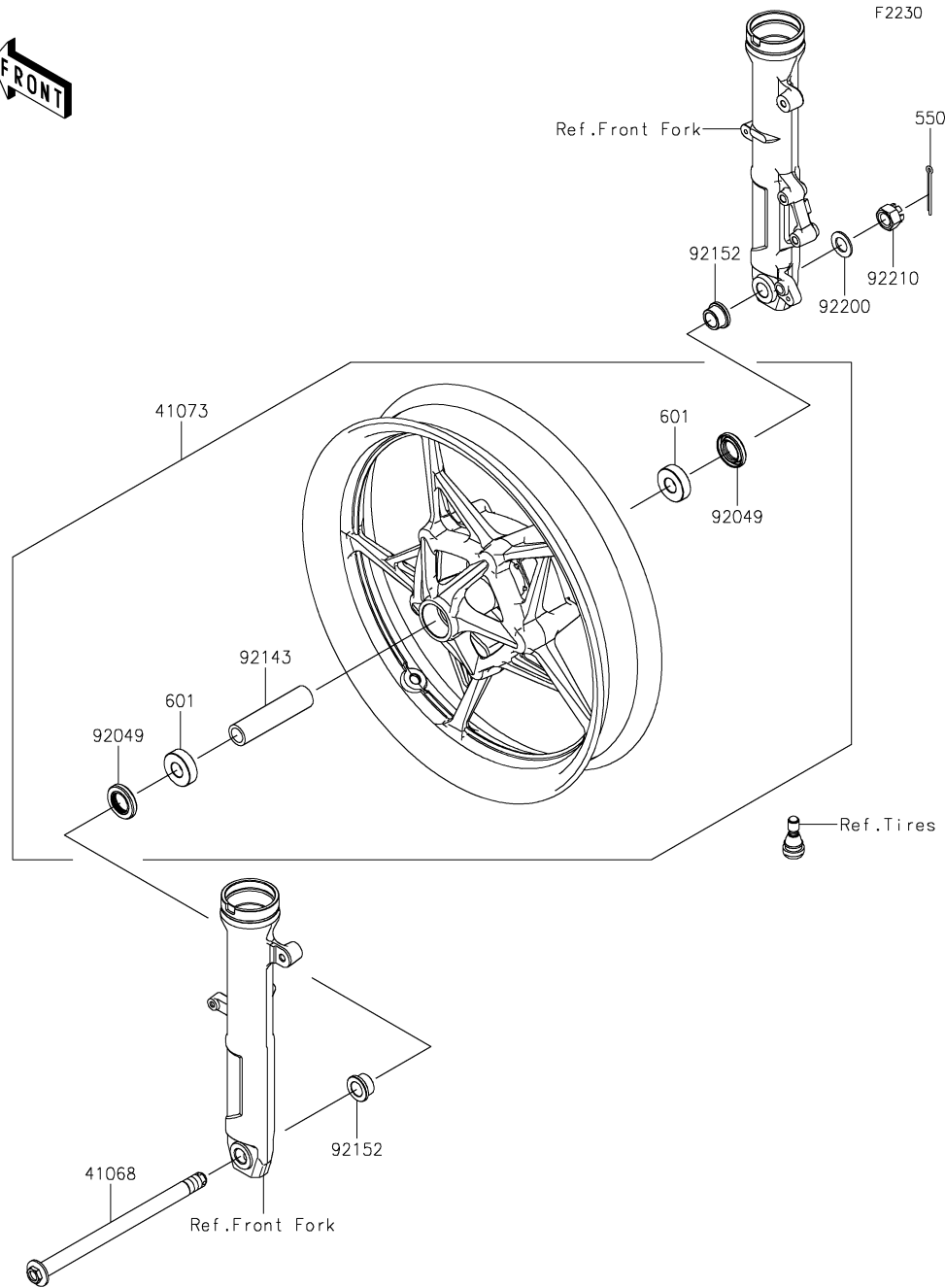
Ref. No.	Part No.	Description	Spec Code	Quantity			
				'22			
				DNFNN			
32043	32043-0624	BRACKET-STAND					1
34024	34024-0149	STAND-SIDE					1
92144	92144-1818	SPRING,SIDE STAND					1
92152	92152-1914	COLLAR,10.2X15X20.1					1
92154	92154-1539	BOLT,FLANGED,10X37					1
92154A	92154-2814	BOLT,10X30,TB2468					2
550	550AA2015	PIN-COTTER,2.0X15					1

38. Tires



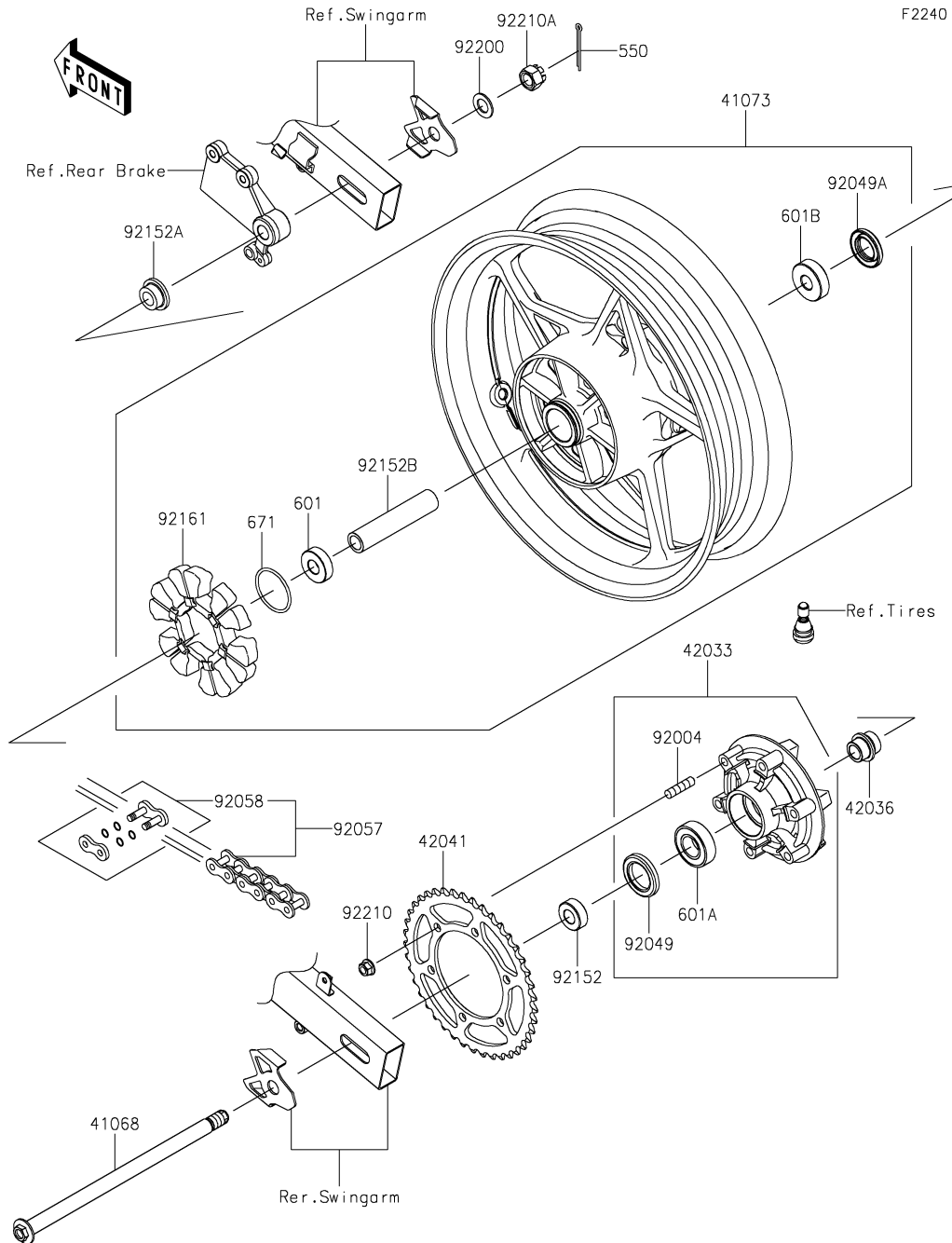
Ref. No.	Part No.	Description	Spec Code	Quantity			
				'22			
16126	16126-1140	VALVE,TIRE					2
41009	41009-0773	TIRE,FR,110/70R17 54H,GPR-300F					1
41009A	41009-0774	TIRE,RR,150/60R17 66H,GPR-300					1
41075	41075-0007	BALANCER-WHEEL,10G,SILVER					AR
41075A	41075-0008	BALANCER-WHEEL,20G,SILVER					AR
41075B	41075-0009	BALANCER-WHEEL,30G,SILVER					AR

39. Front Hub



Ref. No.	Part No.	Description	Spec Code	Quantity			
				'22			
41068	41068-0643	AXLE,FR					1
41073	41073-0752-QT	WHEEL-ASSY,FR,G.BLACK					1
92049	92049-0801	SEAL-OIL,23X40X7					2
92143	92143-1124	COLLAR,17.2X25X105					1
92152	92152-2386	COLLAR,17X30X15.5					2
92200	92200-1916	WASHER,17.3X30X2					1
92210	92210-1585	NUT,CASTLE,16X19					1
550	550AA4035	PIN-COTTER,4.0X35					1
601	601B6203UU	BEARING-BALL,#6203UUC3					2

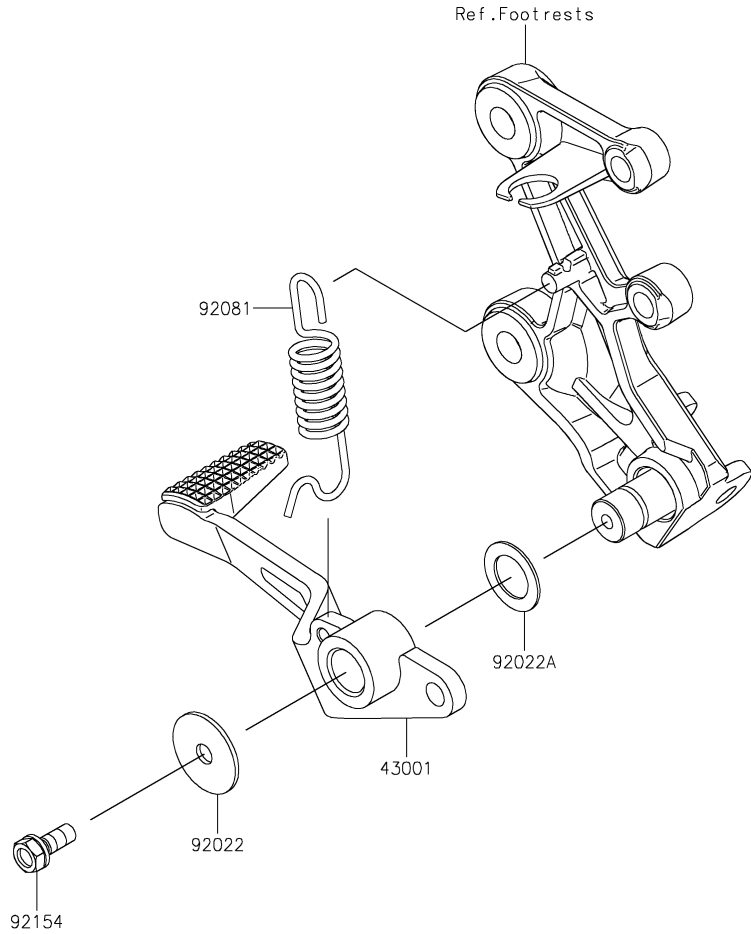
'22 ER400 DNFNN



40. Rear Hub

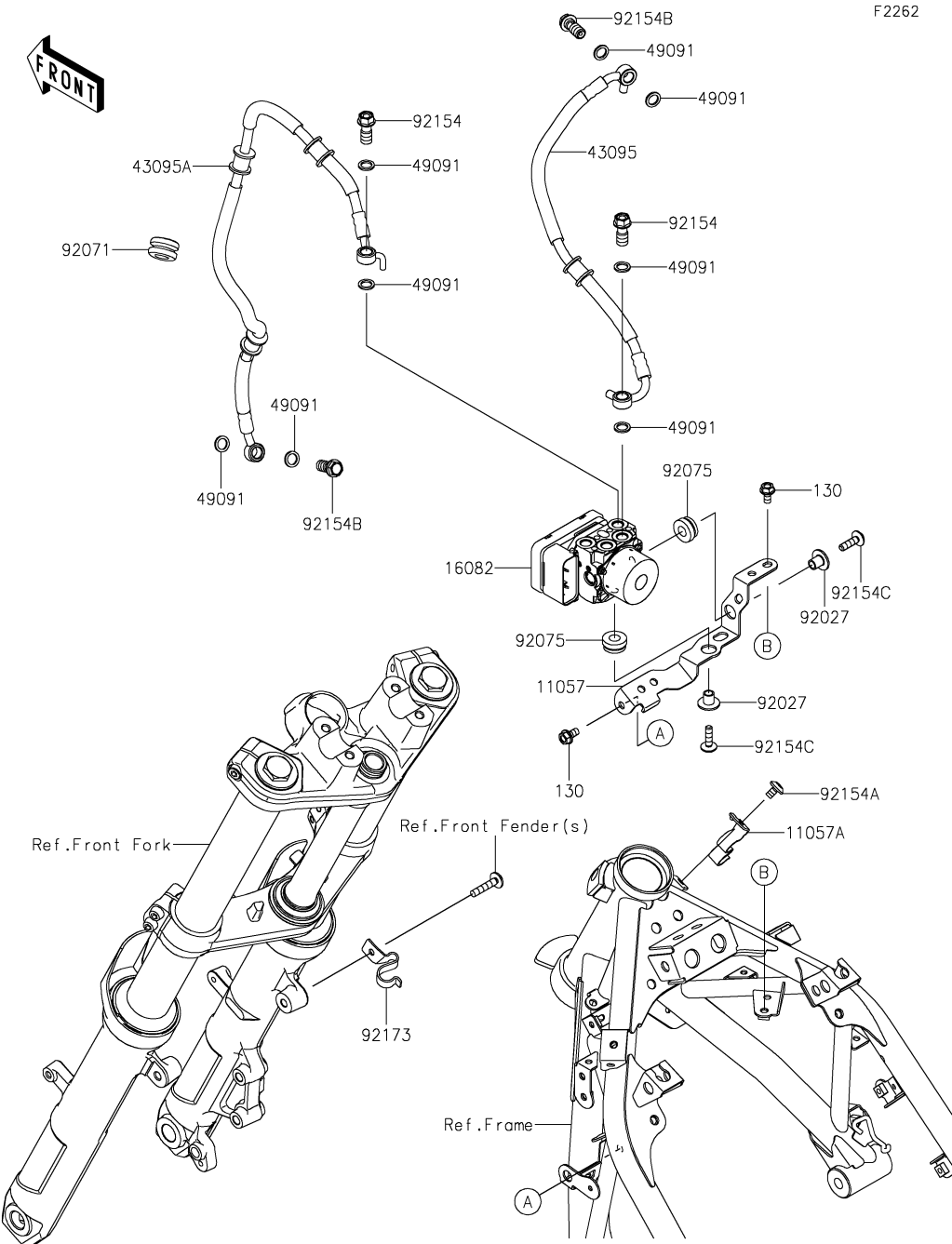
Ref. No.	Part No.	Description	Spec Code	Quantity			
				'22			
				DNFNN			
41068	41068-0644	AXLE,RR					1
41073	41073-0753-QT	WHEEL-ASSY,RR,G.BLACK					1
42033	42033-0574	COUPLING-ASSY,RR HUB					1
42036	42036-1055	SLEEVE,RR HUB,L=30					1
42041	42041-0162	SPROCKET-HUB,41T					1
92004	92004-0048	STUD,10X19					6
92049	92049-0730	SEAL-OIL,35X52X7					1
92049A	92049-0802	SEAL-OIL,27X47X7					1
92057	92057-0019	CHAIN,DRIVE,EK520SR-O2X106L					1
92058	92058-1102	JOINT-CHAIN,DRIVE					1
92152	92152-0843	COLLAR,17X35X13					1
92152A	92152-0844	COLLAR,17X28(38)X15					1
92152B	92152-2387	COLLAR,17.2X25X121					1
92161	92161-0700	DAMPER,RR HUB SHOCK					1
92200	92200-1916	WASHER,17.3X30X2					1
92210	92210-1139	NUT,LOCK,FLANGED,10MM					6
92210A	92210-1585	NUT,CASTLE,16X19					1
550	550AA4035	PIN-COTTER,4.0X35					1
601	601B6203UU	BEARING-BALL,#6203UUC3					1
601A	601B6205G	BEARING-BALL,#6205G					1
601B	601B6303UU	BEARING-BALL,6303LLUC3/2ASU68					1
671	671B2550	O RING,50MM					1

F2260



41. Brake Pedal

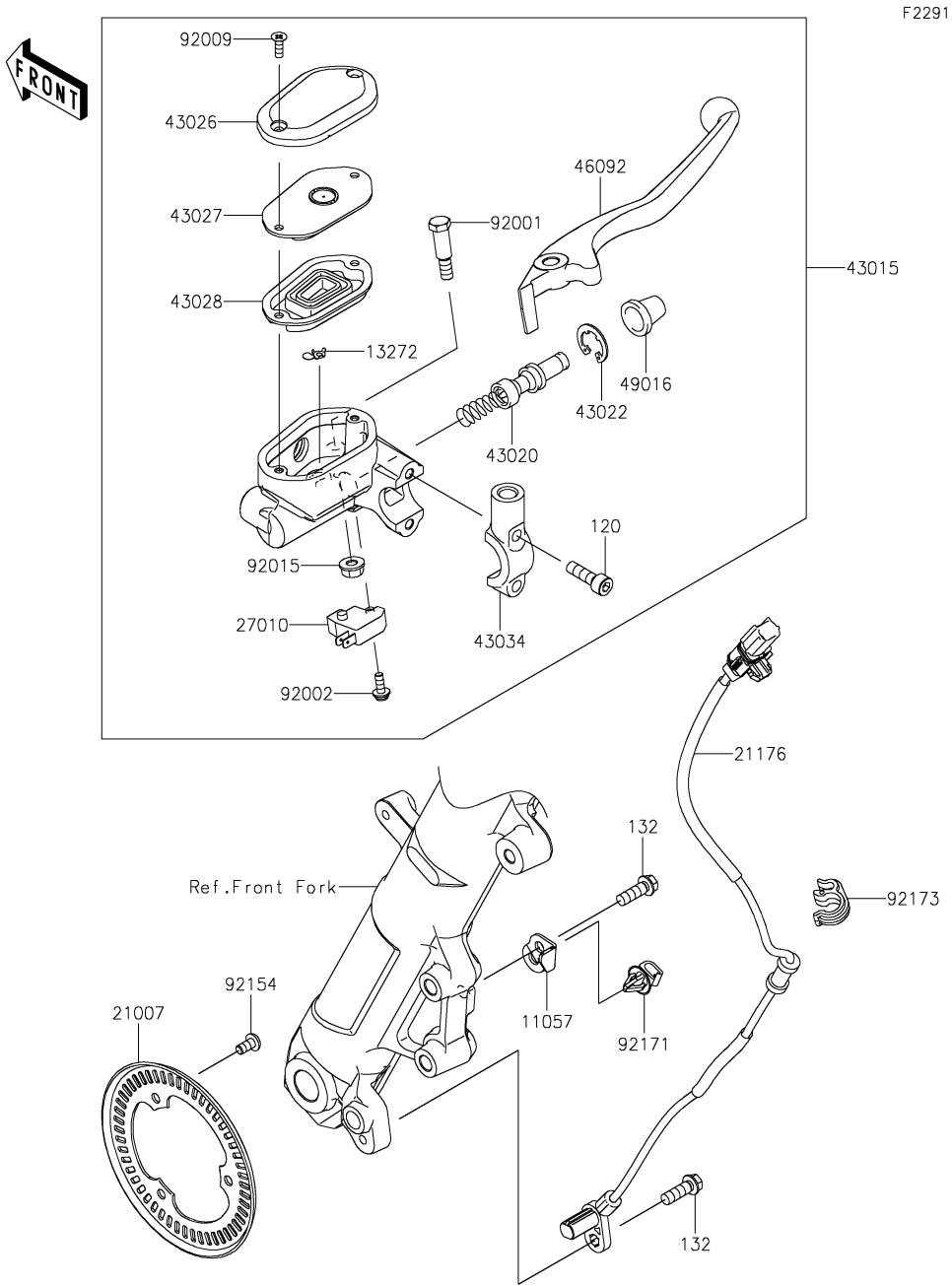
Ref. No.	Part No.	Description	Spec Code	Quantity			
				'22			
43001	43001-0756	LEVER-BRAKE,RR					1
92022	92022-1282	WASHER,7X28X1.6					1
92022A	92022-326	WASHER,15.3X24X1					1
92081	92081-1833	SPRING,BRAKE PEDAL					1
92154	92154-0935	BOLT,UPSET-WS,6X16					1



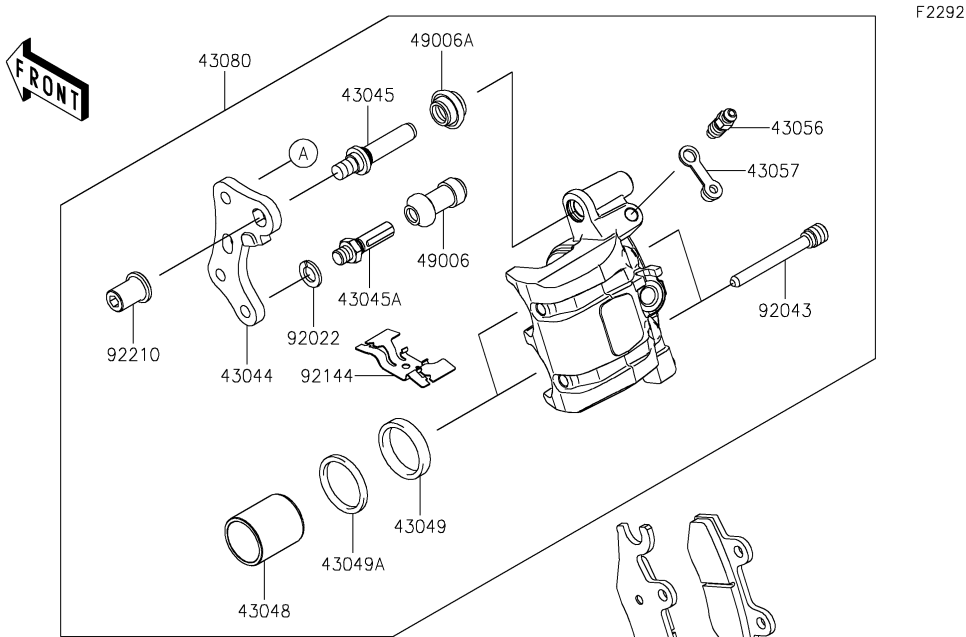
42. Brake Piping

Ref. No.	Part No.	Description	Spec Code	Quantity			
				'22			
				DNFNN			
11057	11057-1098	BRACKET,ABS UNIT					1
11057A	11057-1100	BRACKET					1
16082	16082-0785	PUMP-ASSY-OIL					1
43095	43095-1580	HOSE-BRAKE,HU-FR M/CYLINDER					1
43095A	43095-1581	HOSE-BRAKE,HU-FR CALIPER					1
49091	49091-0001	WASHER-SEAL,10.1X14.5X1.5					8
92027	92027-1651	COLLAR,FLANGED,L=12.1,BLACK					2
92071	92071-0785	GROMMET,12.2X26X16					1
92075	92075-277	DAMPER					2
92154	92154-1138	BOLT,BANJO,10X22					2
92154A	92154-1693	BOLT,SOCKET,6X10					1
92154B	92154-1712	BOLT,BANJO,10X23					2
92154C	92154-2302	BOLT,SOCKET,6X22					2
92173	92173-2435	CLAMP,FR FENDER,RH					1
130	130BB0612	BOLT-FLANGED,6X12					2

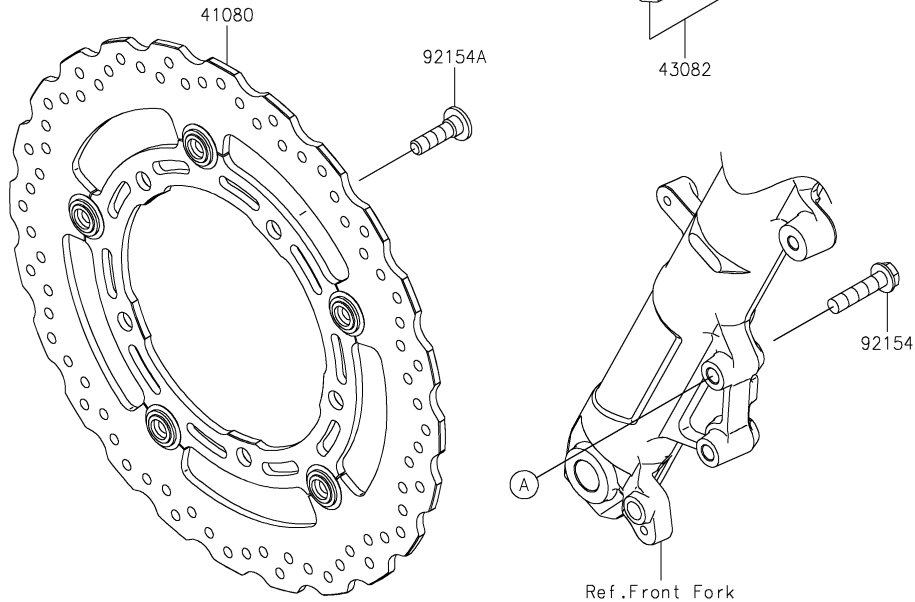
43. Front Master Cylinder



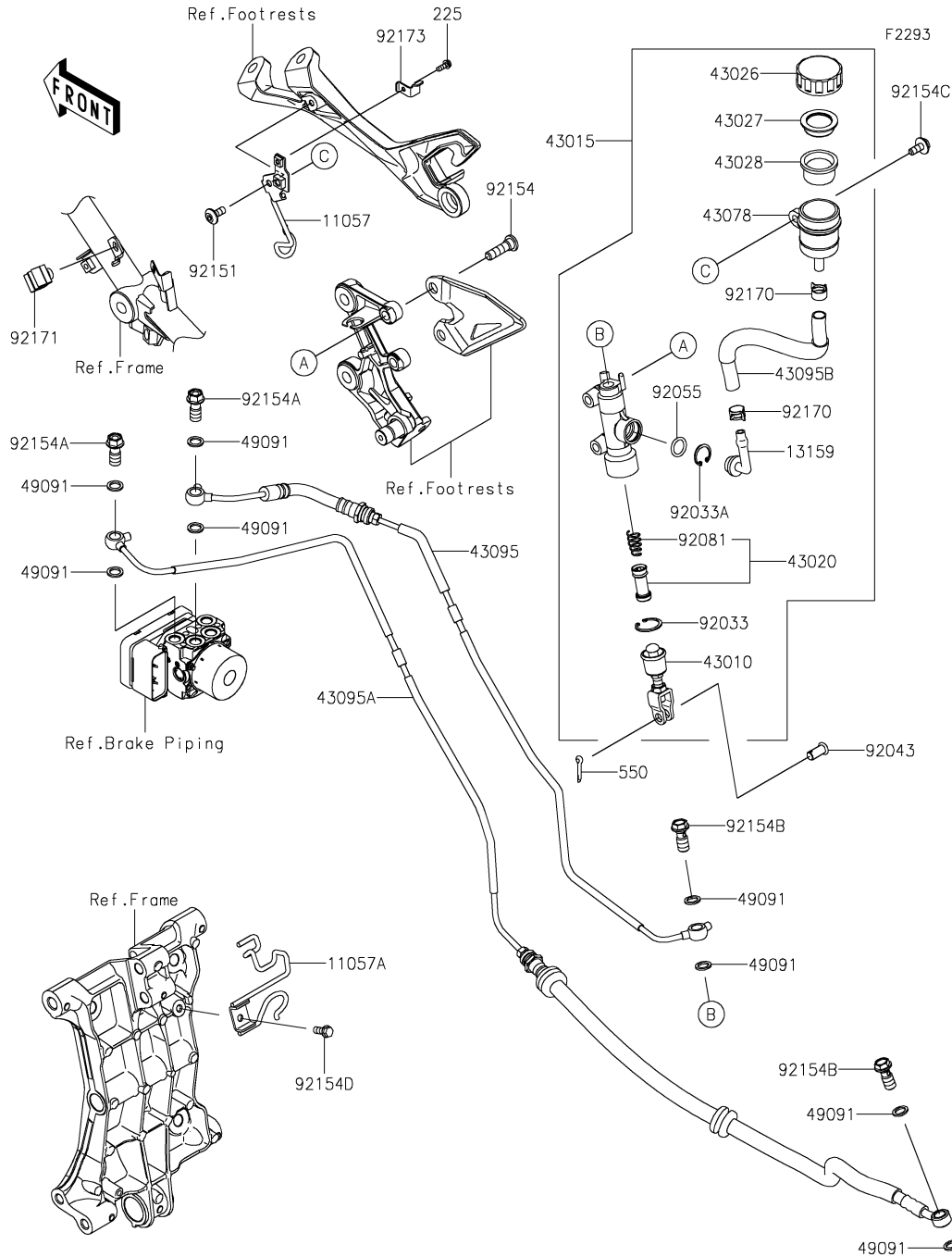
Ref. No.	Part No.	Description	Spec Code	Quantity			
				'22			
				DNFNN			
11057	11057-1099	BRACKET,SENSOR					1
13272	13272-0573	PLATE					1
21007	21007-0671	ROTOR,SENSOR,FR					1
21176	21176-0886	SENSOR,SPEED,FR					1
27010	27010-0762	SWITCH,BRAKE					1
43015	43015-0715	CYLINDER-ASSY-MASTER,FR					1
43020	43020-0022	PISTON-COMP-BRAKE					1
43022	43022-1010	STOPPER-BRAKE,PISTON					1
43026	43026-0026	CAP-BRAKE					1
43027	43027-0010	PLATE-DIAPHRAGM					1
43028	43028-0022	DIAPHRAGM					1
43034	43034-0145	HOLDER-BRAKE					1
46092	46092-0028	LEVER-GRIP,FRONT BRAKE					1
49016	49016-1044	COVER-SEAL,MASTER CYLINDER					1
92001	92001-1728	BOLT,FRONT BRAKE LEVER					1
92002	92002-1323	BOLT,SCREW,4X12					1
92009	92009-1458	SCREW,4MM					2
92015	92015-1233	NUT,FLANGED,6MM,BLACK					1
92154	92154-2801	BOLT,SOCKET,5X10					3
92171	92171-0640	CLAMP					1
92173	92173-1613	CLAMP,HOSE&SENSOR LINE					1
120	120CB0620	BOLT-SOCKET,6X20					2
132	132BC0618	BOLT-FLANGED-SMALL,6X18					2



F2292

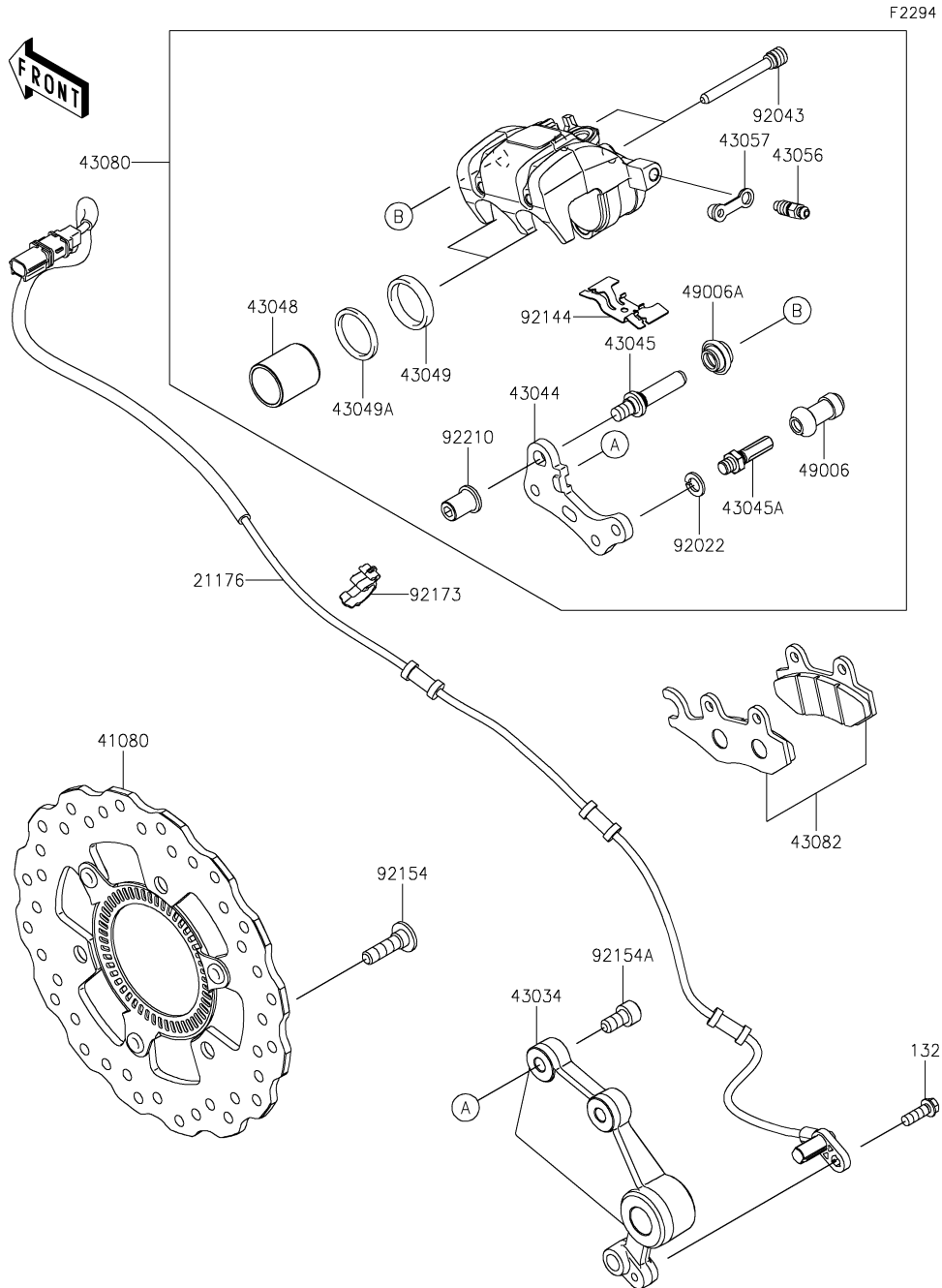


Ref. No.	Part No.	Description	Spec Code	Quantity			
				'22			
41080	41080-0727-32L	DISC,FR,BLACK+BLK					1
43044	43044-1112	HOLDER-COMP-CALIPER					1
43045	43045-0013	SHAFT-CALIPER					1
43045A	43045-1010	SHAFT-CALIPER					1
43048	43048-1068	PISTON-CALIPER					2
43049	43049-1060	PACKING,PISTON SEAL					2
43049A	43049-1061	PACKING,PISTON SEAL					2
43056	43056-0004	BREATHER-BRAKE					1
43057	43057-1001	CAP-BREATHER					1
43080	43080-0244-DJ	CALIPER-SUB-ASSY,FR,BLACK					1
43082	43082-0175	PAD-ASSY-BRAKE					1
49006	49006-1088	BOOT,CALIPER					1
49006A	49006-1242	BOOT,CALIPER					1
92022	92022-1373	WASHER,WAVE					1
92043	92043-1507	PIN,HANGER					2
92144	92144-1847	SPRING,PAD					1
92154	92154-1646	BOLT,FLANGED,8X35					2
92154A	92154-1865	BOLT,SOCKET,8X30					5
92210	92210-0615	NUT					1

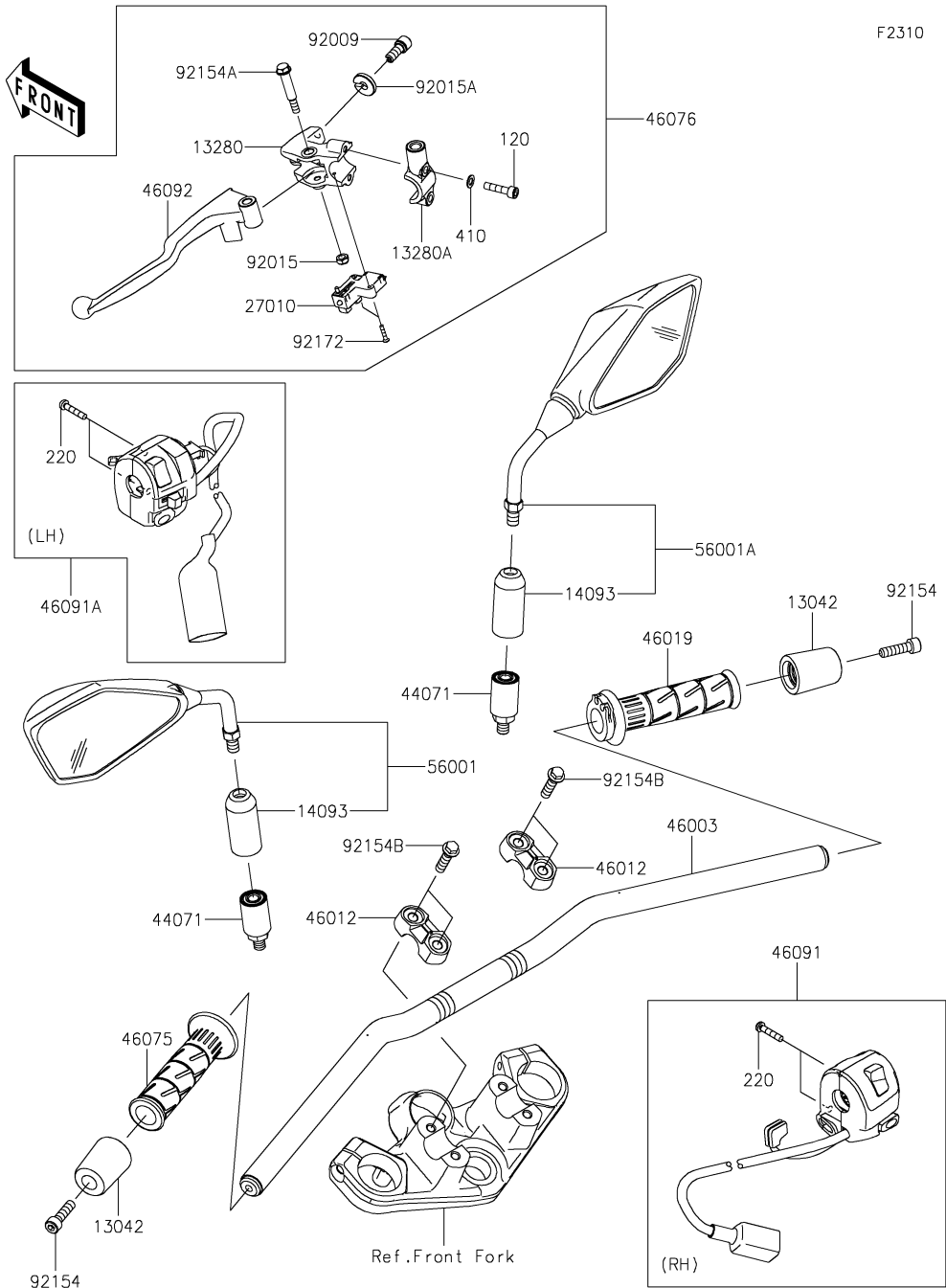


45. Rear Master Cylinder

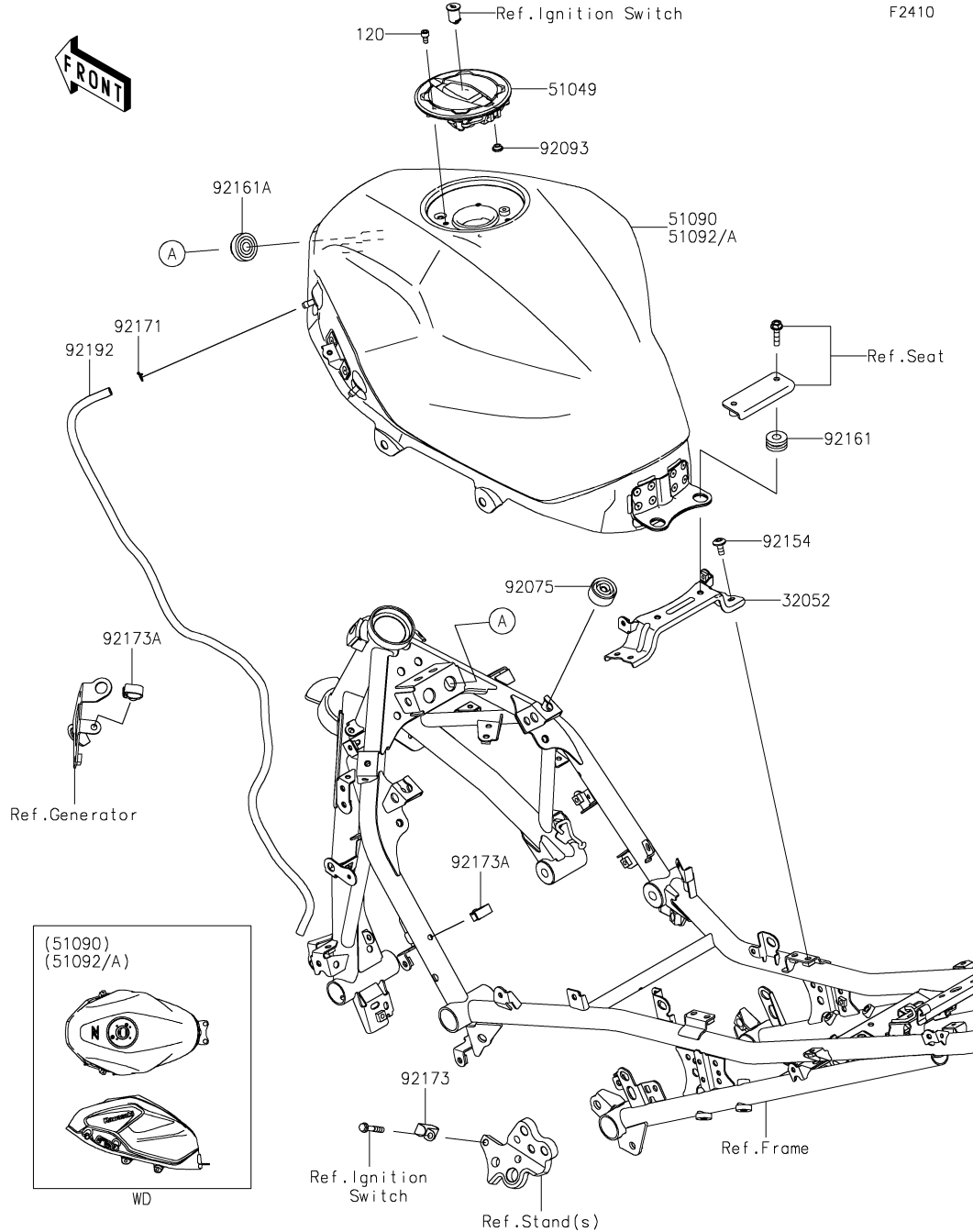
Ref. No.	Part No.	Description	Spec Code	Quantity			
				'22			
				DNFNN			
11057	11057-1101	BRACKET,RR RESERVOIR					1
11057A	11057-1103	BRACKET,PIVOT BRACKET					1
13159	13159-1056	CONNECTOR					1
43010	43010-0022	ROD-ASSY-BRAKE					1
43015	43015-0667	CYLINDER-ASSY-MASTER,RR					1
43020	43020-0023	PISTON-COMP-BRAKE					1
43026	43026-0009	CAP-BRAKE					1
43027	43027-1053	PLATE-DIAPHRAGM					1
43028	43028-1065	DIAPHRAGM					1
43078	43078-0040	RESERVOIR					1
43095	43095-1489	HOSE-BRAKE,RR M/CYLINDER-HU					1
43095A	43095-1490	HOSE-BRAKE,HU-RR CALIPER					1
43095B	43095-1495	HOSE-BRAKE,RR RESERVOIR					1
49091	49091-0001	WASHER-SEAL,10.1X14.5X1.5					8
92033	92033-0079	RING-SNAP,20.9X24.6X1.2					1
92033A	92033-1186	RING-SNAP,20.5MM					1
92043	92043-0904	PIN					1
92055	92055-0741	RING-O,14.8X2.4					1
92081	92081-1737	SPRING,MASTER CYLINDER					1
92151	92151-1654	BOLT,SOCKET,6X14					1
92154	92154-0843	BOLT,SOCKET,8X30					2
92154A	92154-1138	BOLT,BANJO,10X22					2
92154B	92154-1712	BOLT,BANJO,10X23					2
92154C	92154-2244	BOLT,UPSET-WP,6X16					1
92154D	92154-4129	BOLT,6X14					1
92170	92170-1091	CLAMP,HOSE					2
92171	92171-0818	CLAMP					1
92173	92173-0028	CLAMP,RESERVOIR TANK CAP					1
225	225AB0412	SCREW-PAN-WSP-CROS,4X12					1
550	550AA2015	PIN-COTTER,2.0X15					1



Ref. No.	Part No.	Description	Spec Code	Quantity			
				'22			
				DNFNN			
21176	21176-0856	SENSOR,SPEED,RR					1
41080	41080-0686-11H	DISC,RR,W/R,BLACK					1
43034	43034-0138	HOLDER-BRAKE					1
43044	43044-1112	HOLDER-COMP-CALIPER					1
43045	43045-0013	SHAFT-CALIPER					1
43045A	43045-1010	SHAFT-CALIPER					1
43048	43048-1068	PISTON-CALIPER					2
43049	43049-1060	PACKING,PISTON SEAL					2
43049A	43049-1061	PACKING,PISTON SEAL					2
43056	43056-0004	BREATHER-BRAKE					1
43057	43057-1001	CAP-BREATHER					1
43080	43080-0245-DJ	CALIPER-SUB-ASSY,RR,BLACK					1
43082	43082-0128	PAD-ASSY-BRAKE					1
49006	49006-1088	BOOT,CALIPER					1
49006A	49006-1242	BOOT,CALIPER					1
92022	92022-1373	WASHER,WAVE					1
92043	92043-1507	PIN,HANGER					2
92144	92144-1847	SPRING,PAD					1
92154	92154-1865	BOLT,SOCKET,8X30					3
92154A	92154-7088	BOLT-SOCKET,8X16					2
92173	92173-1614	CLAMP,HOSE&SENSOR LINE					1
92210	92210-0615	NUT					1
132	132BC0618	BOLT-FLANGED-SMALL,6X18					1

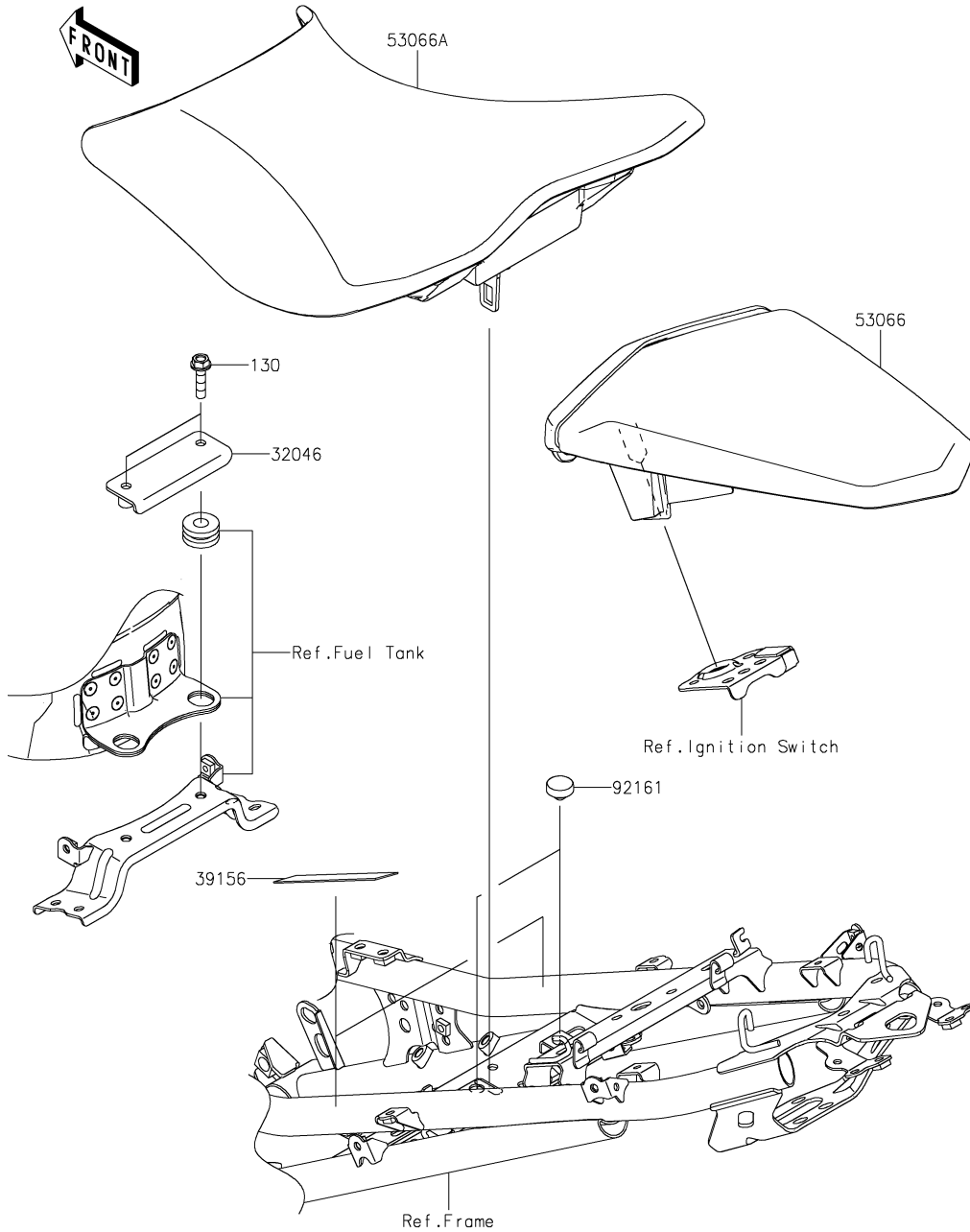


Ref. No.	Part No.	Description	Spec Code	Quantity			
				'22			
				DNFNN			
13042	13042-5007	WEIGHT,HANDLE			2		
13280	13280-0929	HOLDER,LEVER			1		
13280A	13280-0930	HOLDER,MIRROR			1		
14093	14093-0915	COVER			2		
27010	27010-0729	SWITCH,CLUTCH			1		
44071	44071-1372	DAMPER-ASSY			2		
46003	46003-0772	HANDLE			1		
46012	46012-0391	HOLDER-HANDLE,UPP			2		
46019	46019-0060	GRIP-ASSY,THROTTLE			1		
46075	46075-0564	GRIP,HANDLE,LH			1		
46076	46076-0154	LEVER-ASSY-GRIP,CLUTCH			1		
46091	46091-0432	HOUSING-ASSY-CONTROL,RH			1		
46091A	46091-0433	HOUSING-ASSY-CONTROL,LH			1		
46092	46092-0562	LEVER-GRIP,CLUTCH			1		
56001	56001-0395	MIRROR-ASSY,LH			1		
56001A	56001-0396	MIRROR-ASSY,RH			1		
92009	92009-1134	SCREW,CABLE ADJUST,8MM,BLACK			1		
92015	92015-1191	NUT,LOCK,6MM,BLACK			1		
92015A	92015-1197	NUT,CABLE ADJUST LOCK,8MM,BLK			1		
92154	92154-0440	BOLT,SOCKET,8X30			2		
92154A	92154-2331	BOLT,FLANGED,6X44			1		
92154B	92154-3840	BOLT,FLANGED,8X30			4		
92172	92172-0183	SCREW,3X16			2		
120	120CB0625	BOLT-SOCKET,6X25			2		
220	220AB0525	SCREW-PAN-CROS,5X25			4		
410	410AB0600	WASHER-PLAIN-SMALL,6MM			2		



Ref. No.	Part No.	Description	Spec Code	Quantity			
				'22			
				DNFNN			
32052	32052-0809	BRACKET-TANK					1
51049	51049-0735	CAP-TANK					1
51090	51090-5427-660	TANK-COMP-FUEL,M.S.BLACK					1
51092	51092-5067-68N	TANK-COMP-FUEL,P.R.WHITE					1
51092A	51092-5162-660	TANK-COMP-FUEL,M.S.BLACK					1
92075	92075-015	DAMPER					2
92093	92093-1030	SEAL,FUEL TANK CAP					1
92154	92154-0932	BOLT,SOCKET,6X14					4
92161	92161-0927	DAMPER,10X24X12					2
92161A	92161-1980	DAMPER,10X32X17					2
92171	92171-1973	CLAMP,8X0.7					1
92173	92173-0833	CLAMP					1
92173A	92173-0868	CLAMP,HOLDER CLIP					2
92192	92192-1860	TUBE,DRAIN,6X9X810					1
120	120CC0510	BOLT-SOCKET,5X10					4

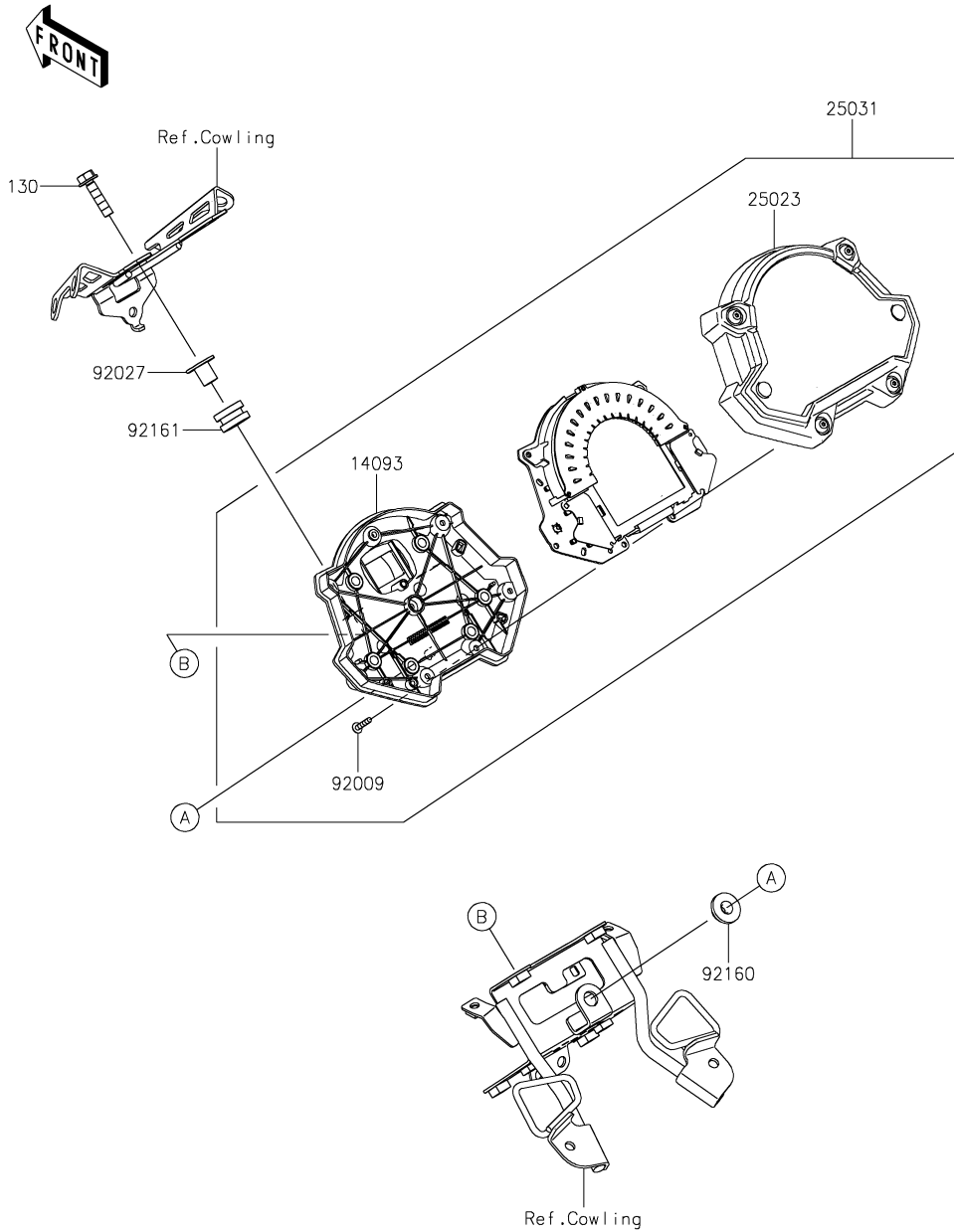
F2510



50. Seat

Ref. No.	Part No.	Description	Spec Code	Quantity			
				'22			
32046	32046-0423	BRACKET-SEAT					1
39156	39156-2383	PAD,35X75X1					2
53066	53066-0800-12Y	SEAT-ASSY,RR,BLACK+BLK					1
53066A	53066-0801-MA	SEAT-ASSY,FR,BLACK					1
92161	92161-1473	DAMPER,9.5X18X6					2
130	130CC0625	BOLT-FLANGED,6X25					2

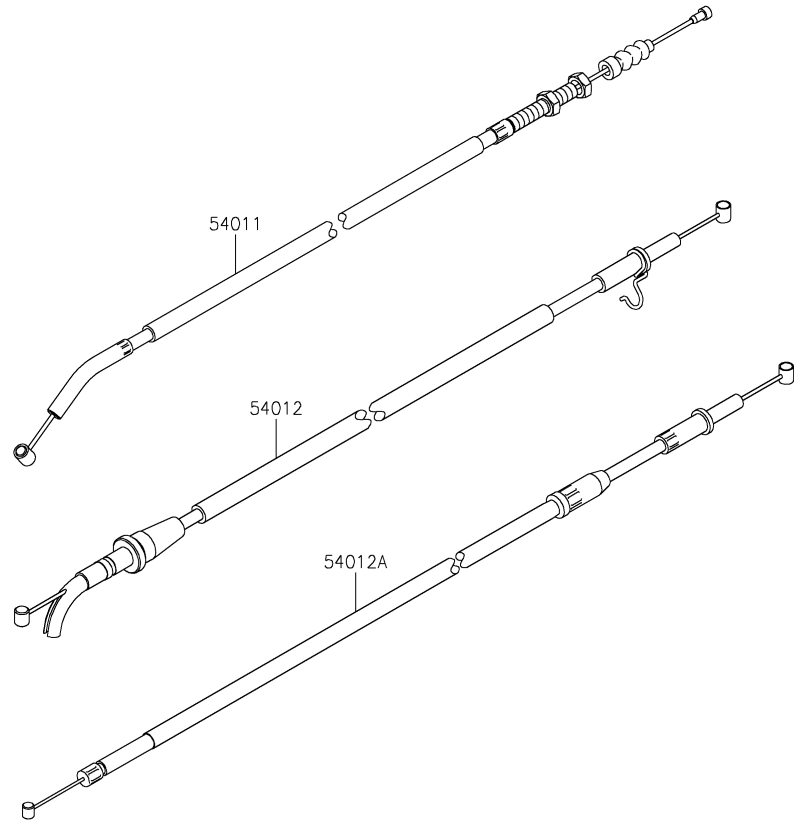
F2530



51. Meter(s)

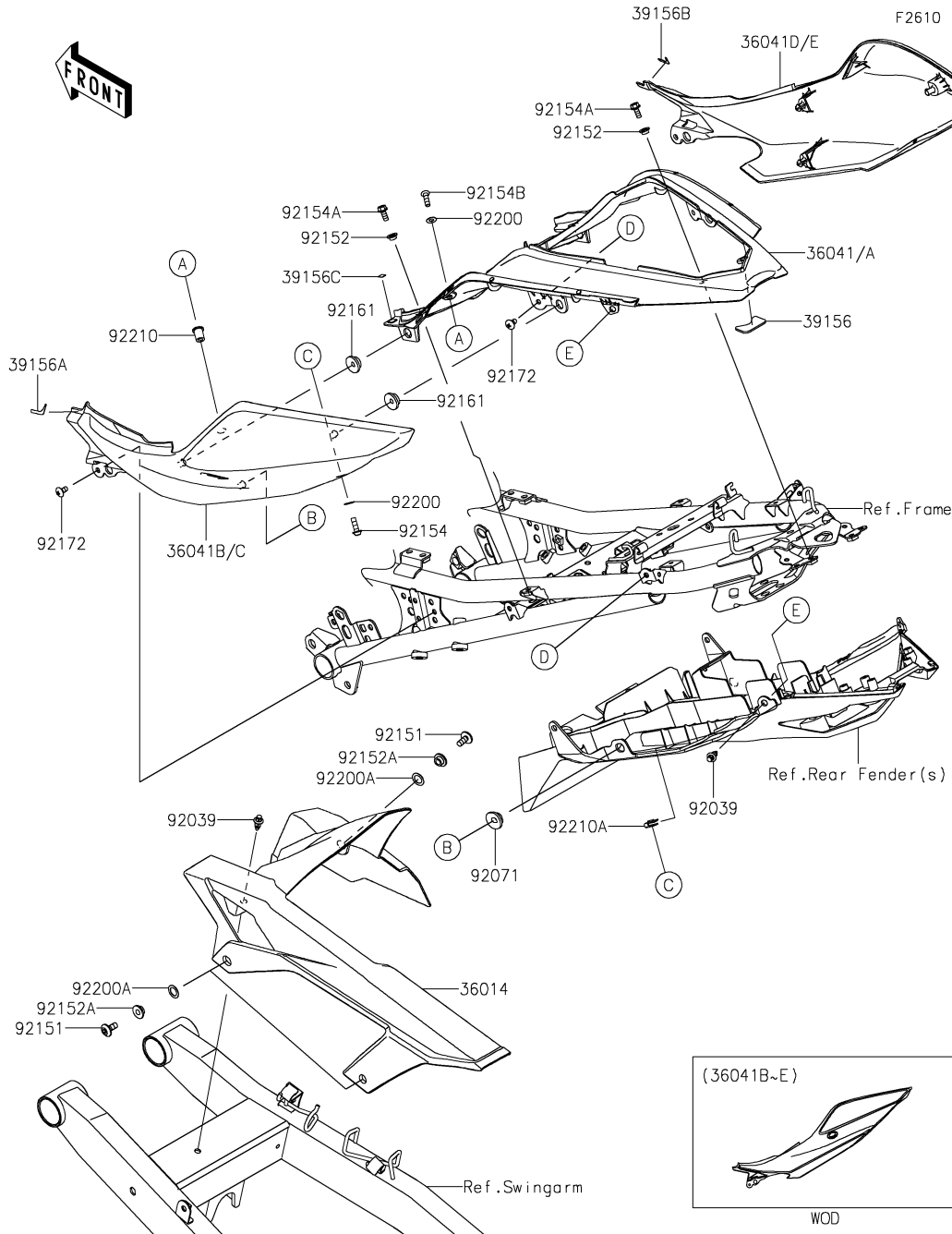
Ref. No.	Part No.	Description	Spec Code	Quantity			
				'22			
14093	14093-0526	COVER,LWR CASE				1	
25023	25023-0126	COVER-METER CASE,UPP				1	
25031	25031-0790	METER-ASSY,COMBINATION				1	
92009	92009-1391	SCREW,TAPPING,3X16				8	
92027	92027-1183	COLLAR,6.5X10X14.1				2	
92160	92160-1613	DAMPER				1	
92161	92161-2102	DAMPER,10X20X12				2	
130	130BB0625	BOLT-FLANGED,6X25				2	

F2540



52. Cables

Ref. No.	Part No.	Description	Spec Code	Quantity			
				'22			
54011	54011-0640	CABLE-CLUTCH					1
54012	54012-0672	CABLE-THROTTLE,OPEN					1
54012A	54012-0673	CABLE-THROTTLE,CLOSE					1

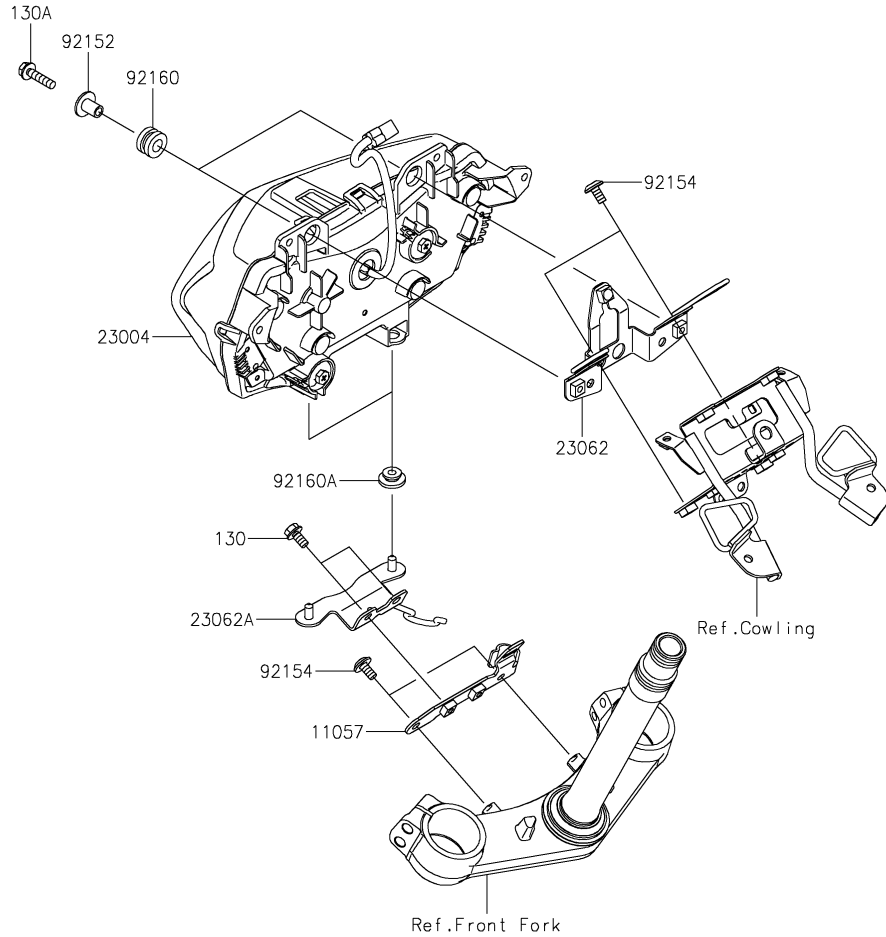


Ref. No.	Part No.	Description	Spec Code	Quantity			
				'22			
				DNFNN			
36014	36014-0571	CASE-CHAIN					1
36041	36041-0036-51P	COVER-TAIL,CNT,C.L.GREEN					1
36041A	36041-0036-68P	COVER-TAIL,CNT,M.M.G.GRAY					1
36041B	36041-0037-660	COVER-TAIL,LH,M.S.BLACK					1
36041C	36041-0037-68N	COVER-TAIL,LH,P.R.WHITE					1
36041D	36041-0038-660	COVER-TAIL,RH,M.S.BLACK					1
36041E	36041-0038-68N	COVER-TAIL,RH,P.R.WHITE					1
39156	39156-2218	PAD,19.4X34X2					1
39156A	39156-2298	PAD,TAIL COVER,FR,LH					1
39156B	39156-2299	PAD,TAIL COVER,FR,RH					1
39156C	39156-2300	PAD,5X13					2
92039	92039-0060	RIVET					3
92071	92071-0766	GROMMET,20X24X7.5					2
92151	92151-1654	BOLT,SOCKET,6X14					3
92152	92152-2395	COLLAR,6X8X4.5					4
92152A	92152-2486	COLLAR,6.5X10X5.9					3
92154	92154-0209	BOLT,SOCKET,5X16					2
92154A	92154-2893	BOLT,FLANGED,5X12					4
92154B	92154-3837	BOLT,SOCKET,5X16					2
92161	92161-1531	DAMPER					4
92172	92172-1090	SCREW,5X10					4
92200	92200-0006	WASHER,NYLONE,5.3X11.5X0.5					4
92200A	92200-0157	WASHER,10.4X15.9X0.5					3
92210	92210-0498	NUT,WELL,5MM					2
92210A	92210-0571	NUT					2

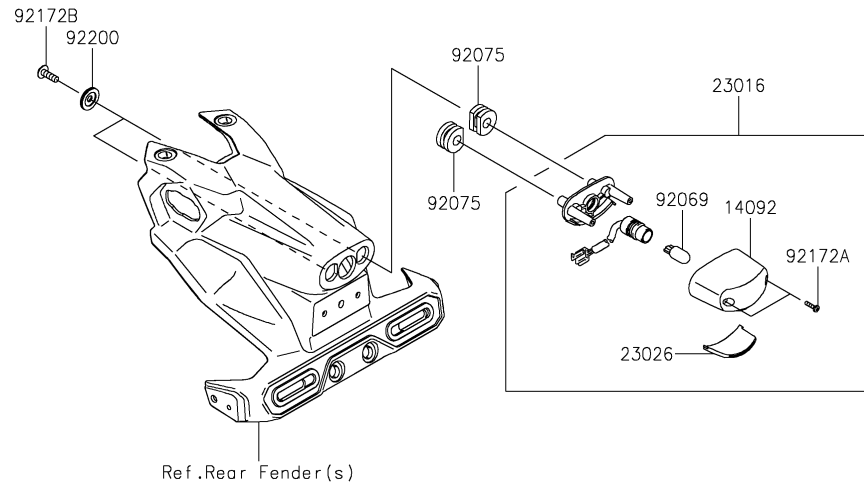
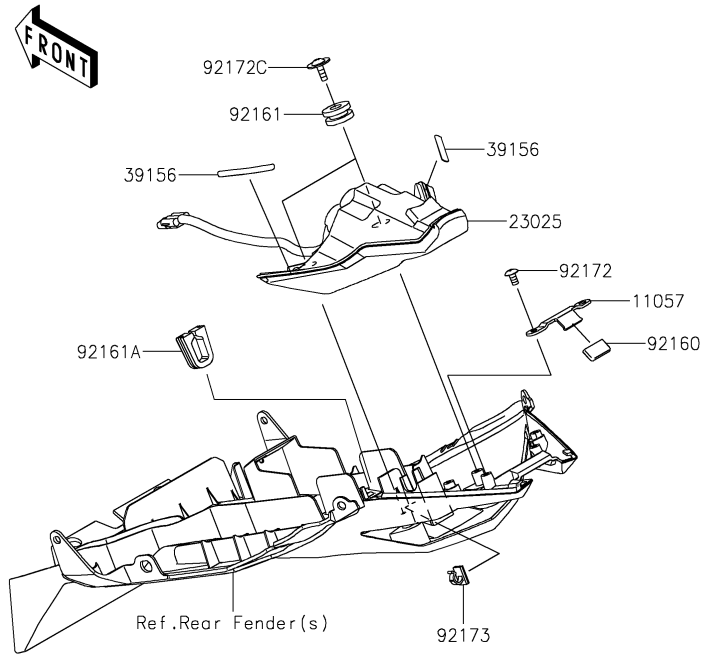
F2710

54. Headlight(s)

Ref. No.	Part No.	Description	Spec Code	Quantity			
				'22			
				DNFNN			
11057	11057-1962	BRACKET,HEAD LAMP					1
23004	23004-0414	LAMP-HEAD,LED					1
23062	23062-1187	BRACKET-COMP,HEAD LAMP,UPP					1
23062A	23062-1340	BRACKET-COMP,HEAD LAMP,LWR					1
92152	92152-2322	COLLAR,6.3X20X15.1					2
92154	92154-2355	BOLT,SOCKET,6X12					4
92160	92160-1167	DAMPER,10X20X12					2
92160A	92160-1613	DAMPER					2
130	130BB0612	BOLT-FLANGED,6X12					2
130A	130BB0625	BOLT-FLANGED,6X25					2

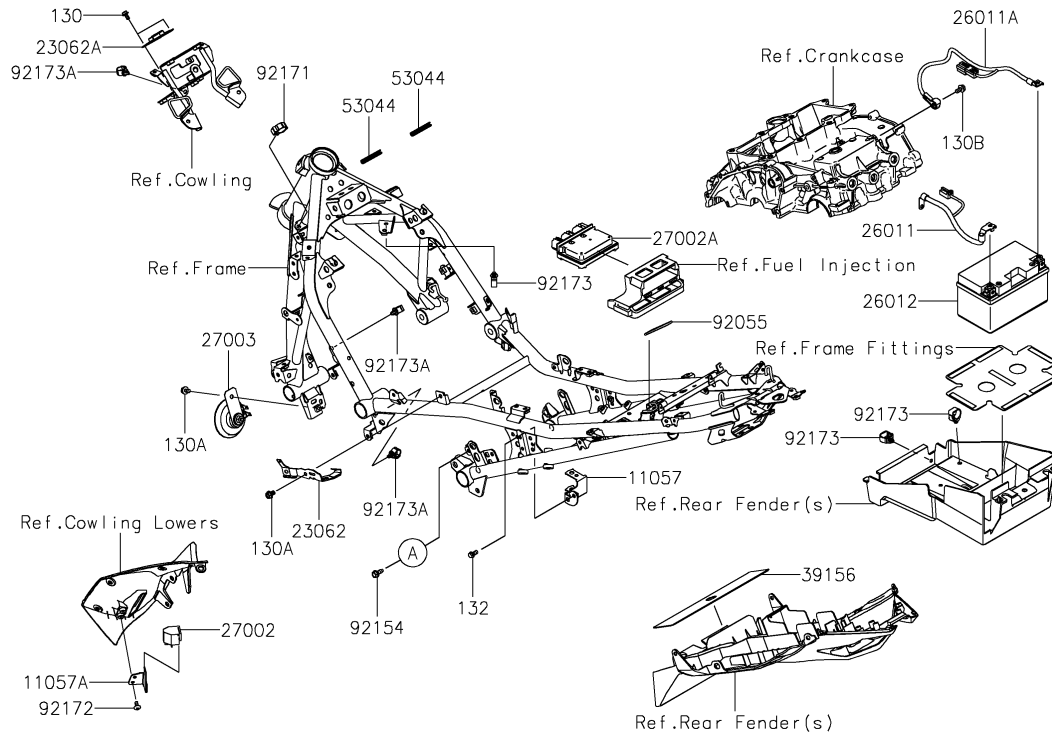
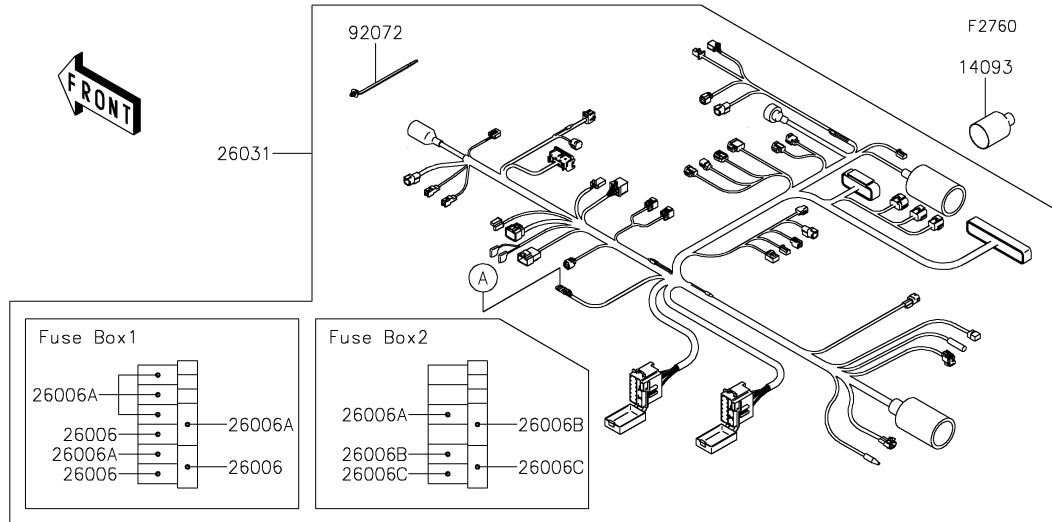


F2720

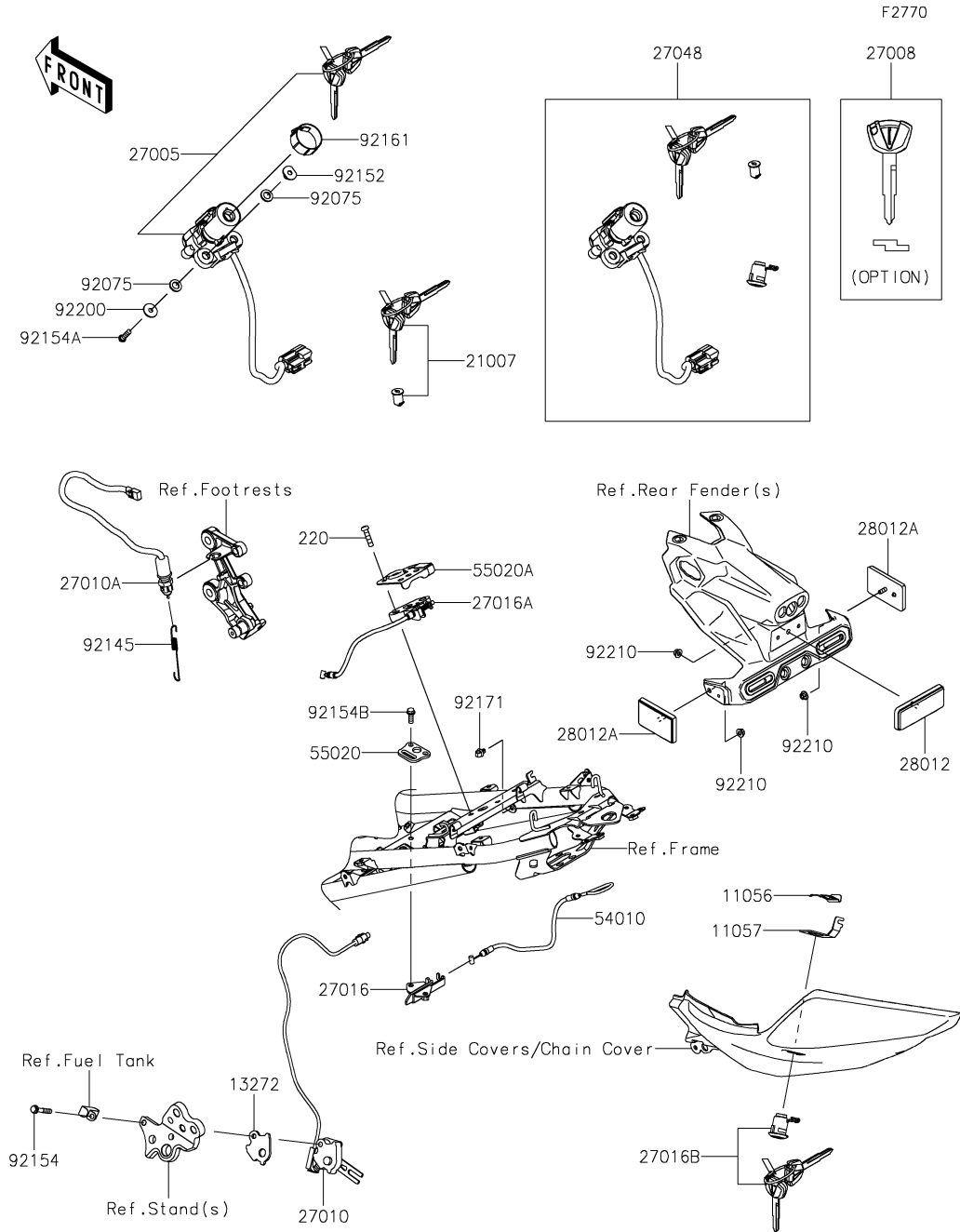


55. Taillight(s)

Ref. No.	Part No.	Description	Spec Code	Quantity			
				'22			
				DNFNN			
11057	11057-1214	BRACKET					1
14092	14092-0001	COVER,LICENSE LAMP					1
23016	23016-0657	LAMP-ASSY,LICENCE					1
23025	23025-0385	LAMP-TAIL,LED					1
23026	23026-0035	LENS,LICENCE LAMP					1
39156	39156-2421	PAD,6X50					2
92069	92069-1016	BULB,12V 5W					1
92075	92075-1870	DAMPER					2
92160	92160-1190	DAMPER					1
92161	92161-0163	DAMPER					2
92161A	92161-1984	DAMPER,RR FENDER					1
92172	92172-0262	SCREW,TAPPING,5X10					2
92172A	92172-0343	SCREW,TAPPING,2.9X13					2
92172B	92172-0427	SCREW,TAPPING,5X16					2
92172C	92172-1215	SCREW,5X16					2
92173	92173-1783	CLAMP,CLIP					1
92200	92200-1971	WASHER,5.5X20X2					2



Ref. No.	Part No.	Description	Spec Code	Quantity			
				'22			
				DNFNN			
11057	11057-1225	BRACKET,MAGNETIC SW.					1
11057A	11057-1763	BRACKET,RELAY					1
14093	14093-0720	COVER,HARNESS					1
23062	23062-1193	BRACKET-COMP,FUSE BOX					1
23062A	23062-1231	BRACKET-COMP,SIGNAL LAMP					1
26006	26006-0001	FUSE,MINI BLADE,15A,BLUE					3
26006A	26006-1078	FUSE,MINI BLADE,10A,RED					6
26006B	26006-1079	FUSE,MINI BLADE,20A,YELLOW					2
26006C	26006-1080	FUSE,MINI BLADE,30A,GREEN					2
26011	26011-0974	WIRE-LEAD,BATTERY(+)					1
26011A	26011-0975	WIRE-LEAD,BATTERY(-)					1
26012	26012-0564	BATTERY,YTZ10S,12V 8.6AH					1
26031	26031-2725	HARNESS,MAIN					1
27002	27002-0031	RELAY-ASSY,TURN SIGNAL					1
27002A	27002-0050	RELAY-ASSY					1
27003	27003-0065	HORN					1
39156	39156-2219	PAD,60X250X1					1
53044	53044-0644	TRIM,45MM					2
92055	92055-0954	RING-O,50MM					1
92072	92072-1414	BAND,OS170-FT7(BLACK)					AR
92154	92154-0551	BOLT,FLANGED,6X16					1
92171	92171-0316	CLAMP,BRAKE HOSE					1
92172	92172-0821	SCREW,5X12					2
92173	92173-0868	CLAMP,HOLDER CLIP					3
92173A	92173-1951	CLAMP					3
130	130BA0510	BOLT-FLANGED,5X10					2
130A	130BA0610	BOLT-FLANGED,6X10					2
130B	130BA0612	BOLT-FLANGED,6X12					1
132	132BA0612	BOLT-FLANGED-SMALL,6X12					1

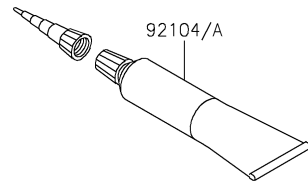
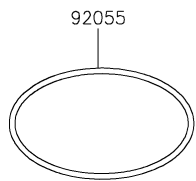
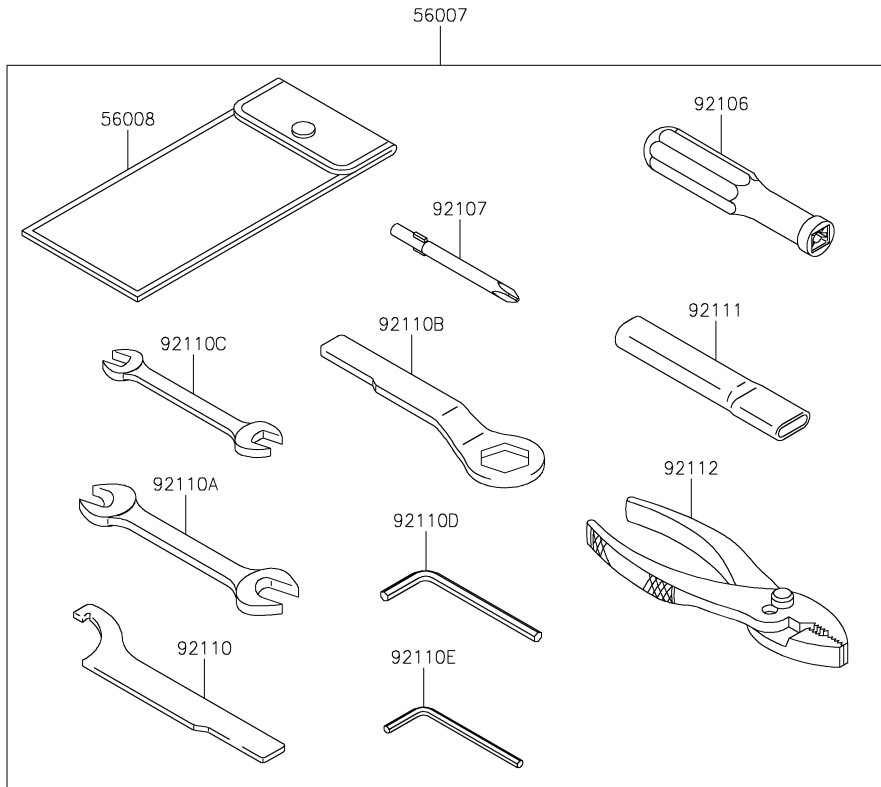


58. Ignition Switch

Ref. No.	Part No.	Description	Spec Code	Quantity			
				'22			
				DNFNN			
11056	11056-0238	BRACKET,CLASP					1
11057	11057-7033	BRACKET,SEAT LOCK					1
13272	13272-1330	PLATE					1
21007	21007-5077	ROTOR,LOCK,TANK CAP					1
27005	27005-0670	SWITCH-ASSY-IGNITION					1
27008	27008-0596	KEY-LOCK,BLANK (OPTION)					1
27010	27010-0845	SWITCH,SIDE STAND					1
27010A	27010-0863	SWITCH,STOP					1
27016	27016-0008	LOCK-ASSY,SEAT STRIKER					1
27016A	27016-0025	LOCK-ASSY,SEAT STRIKER					1
27016B	27016-5386	LOCK-ASSY,SEAT					1
27048	27048-5216	SWITCH-ASSY					1
28012	28012-1077	REFLECTOR-REFLEX					1
28012A	28012-1088	REFLECTOR-REFLEX					2
54010	54010-0621	CABLE					1
55020	55020-2246	GUARD,SEAT STRIKER					1
55020A	55020-2259	GUARD,SEAT STRIKER					1
92075	92075-1564	DAMPER					4
92145	92145-0683	SPRING,BRAKE LAMP SWITCH					1
92152	92152-1971	COLLAR,6X9X10.6					2
92154	92154-1009	BOLT,FLANGED,6X35					1
92154A	92154-1858	BOLT,TORX,6X22					2
92154B	92154-3869	BOLT,FLANGED-SMALL,6X16,TB2468					2
92161	92161-1506	DAMPER					1
92171	92171-0939	CLAMP					1
92200	92200-0780	WASHER,6X20X1.6					2
92210	92210-0007	NUT,FLANGED,5MM					3
220	220AC0625	SCREW-PAN-CROS,6X25					2

'22 ER400 DNFNN

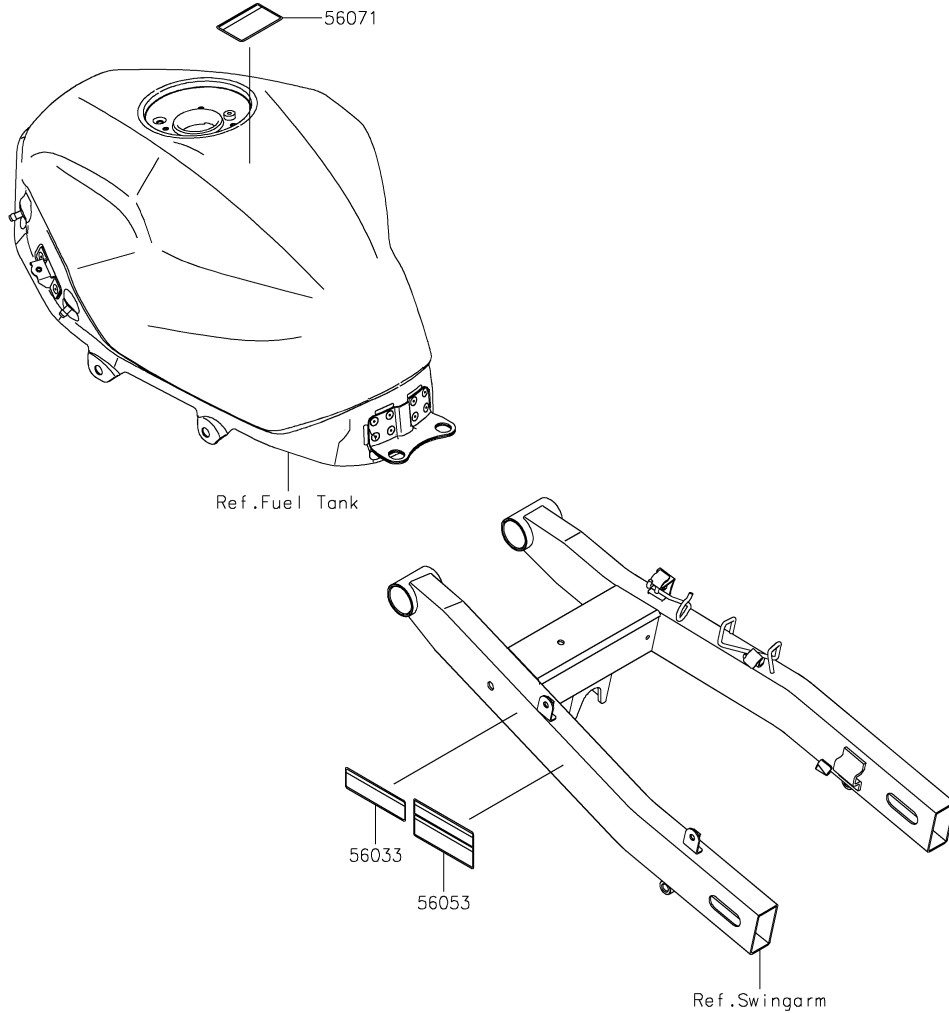
F2810



59. Owner's Tools

Ref. No.	Part No.	Description	Spec Code	Quantity				
				'22				
56007	56007-0107	TOOL-KIT						1
56008	56008-0036	BAG,TOOL						1
92055	92055-0955	RING-O,90MM						1
92104	92104-0004	GASKET-LIQUID,TB1211F,CLEAR						1
92104A	92104-1064	GASKET-LIQUID,TB1216B,BLACK						1
92106	92106-0004	GRIP-SCREW DRIVER						1
92107	92107-0020	TOOL-DRIVER,#2PHILLIPS						1
92110	92110-0040	TOOL-WRENCH,HOOK						1
92110A	92110-0057	TOOL-WRENCH,OPEN END,14X17						1
92110B	92110-0066	TOOL-WRENCH,BOX END,24MM						1
92110C	92110-0564	TOOL-WRENCH,OPEN END,10X12						1
92110D	92110-0566	TOOL-WRENCH,ALLEN,5MM						1
92110E	92110-0567	TOOL-WRENCH,ALLEN,4MM						1
92111	92111-0008	TOOL-BAR,WRENCH						1
92112	92112-0007	TOOL-PLIERS						1

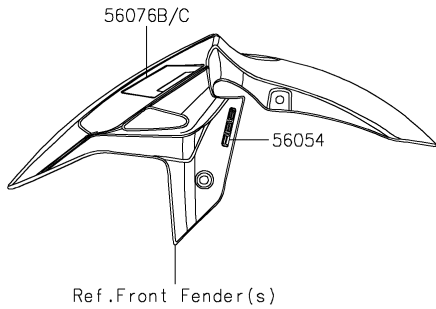
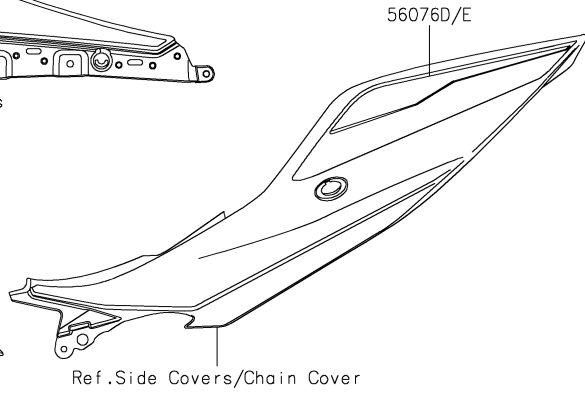
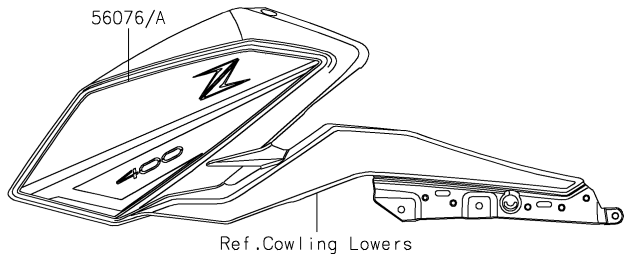
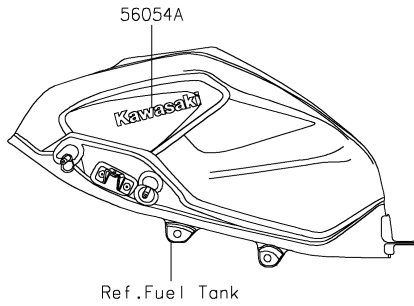
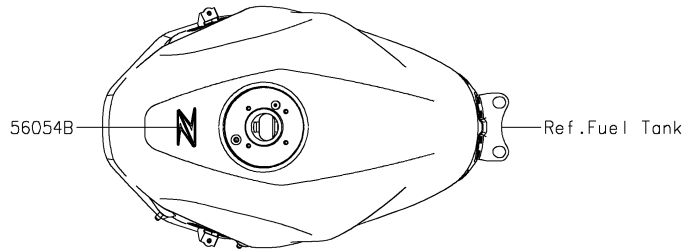
F2860



60. Labels

Ref. No.	Part No.	Description	Spec Code	Quantity			
				'22			
56033	56033-0850	LABEL-MANUAL,CHAIN					1
56053	56053-1580	LABEL-SPECIFICATION,TIRE&LOAD					1
56071	56071-0158	LABEL-WARNING,EVAPO					1

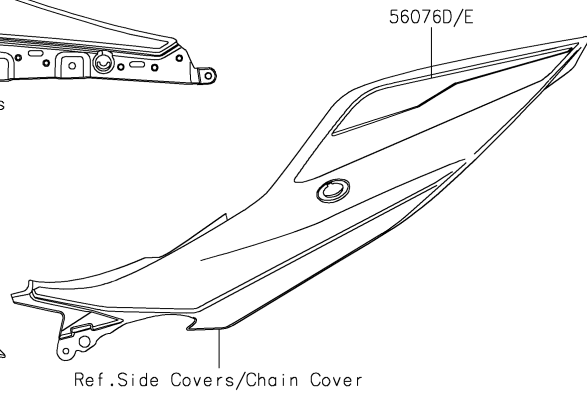
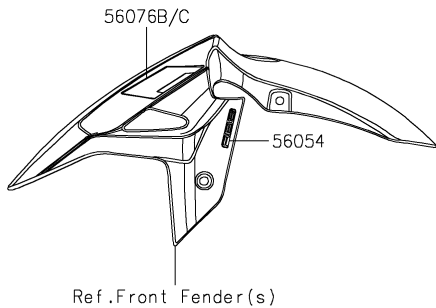
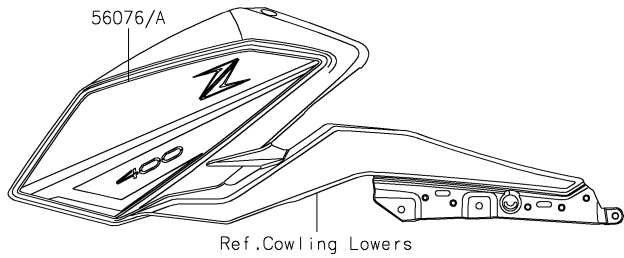
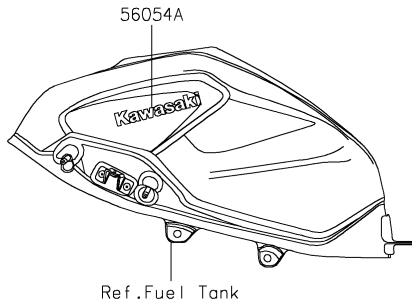
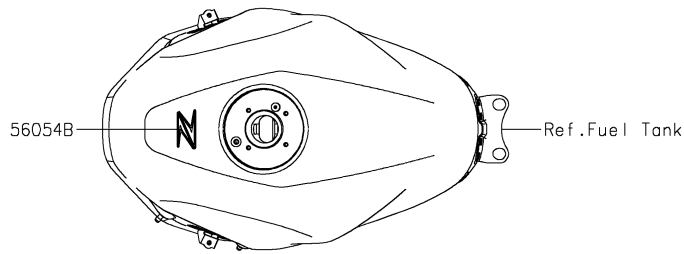
F2861



61. Decals(Green)

Ref. No.	Part No.	Description	Spec Code	Quantity			
				'22			
56054	56054-1413	MARK,FR FENDER,ABS					2
56054A	56054-2558	MARK,FUEL TANK,KAWASAKI					2
56054B	56054-2559	MARK,FUEL TANK,Z					1
56076	56076-2712	PATTERN,SHROUD,LH					1
56076A	56076-2713	PATTERN,SHROUD,RH					1
56076B	56076-2714	PATTERN,FR FENDER,LH					1
56076C	56076-2715	PATTERN,FR FENDER,RH					1
56076D	56076-3849	PATTERN,TAIL COVER,LH					1
56076E	56076-3850	PATTERN,TAIL COVER,RH					1

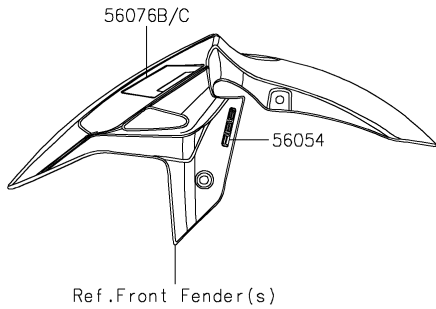
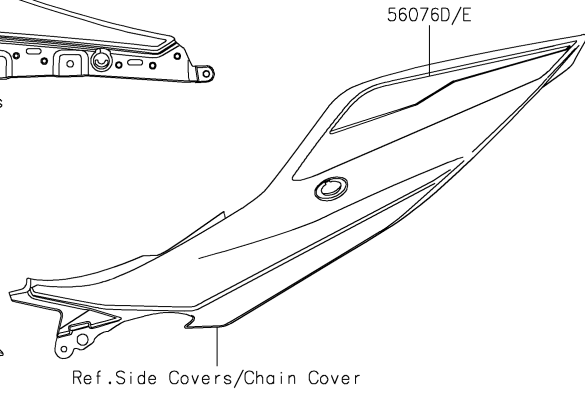
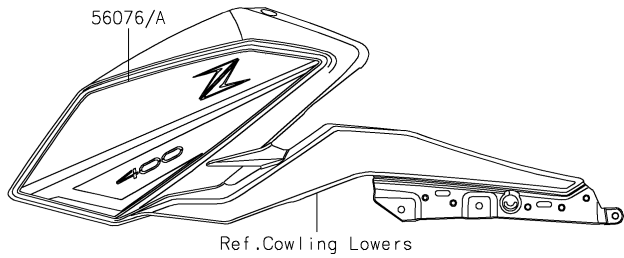
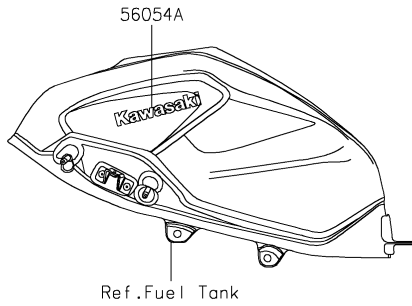
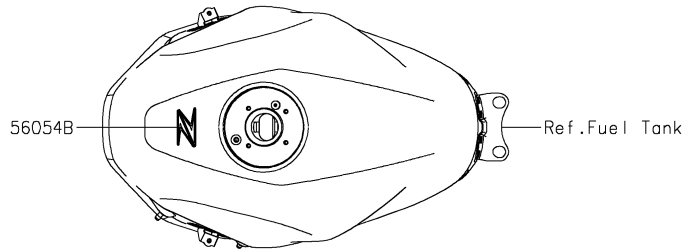
F2861A



62. Decals(Black)

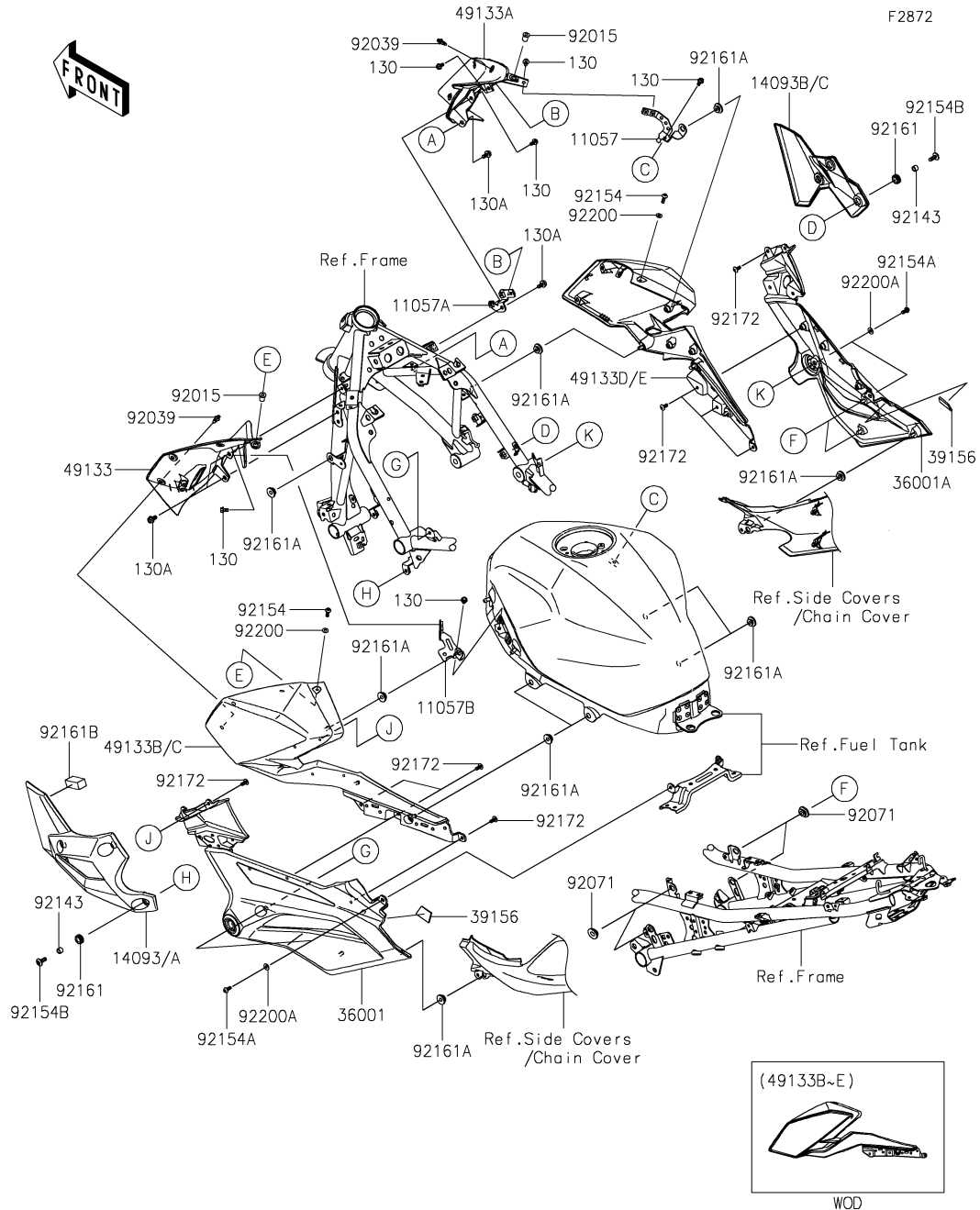
Ref. No.	Part No.	Description	Spec Code	Quantity			
				'22			
56054	56054-1413	MARK,FR FENDER,ABS					2
56054A	56054-2558	MARK,FUEL TANK,KAWASAKI					2
56054B	56054-2967	MARK,FUEL TANK,Z					1
56076	56076-2720	PATTERN,SHROUD,LH					1
56076A	56076-2721	PATTERN,SHROUD,RH					1
56076B	56076-2722	PATTERN,FR FENDER,LH					1
56076C	56076-2723	PATTERN,FR FENDER,RH					1
56076D	56076-3851	PATTERN,TAIL COVER,LH					1
56076E	56076-3852	PATTERN,TAIL COVER,RH					1

F2861B



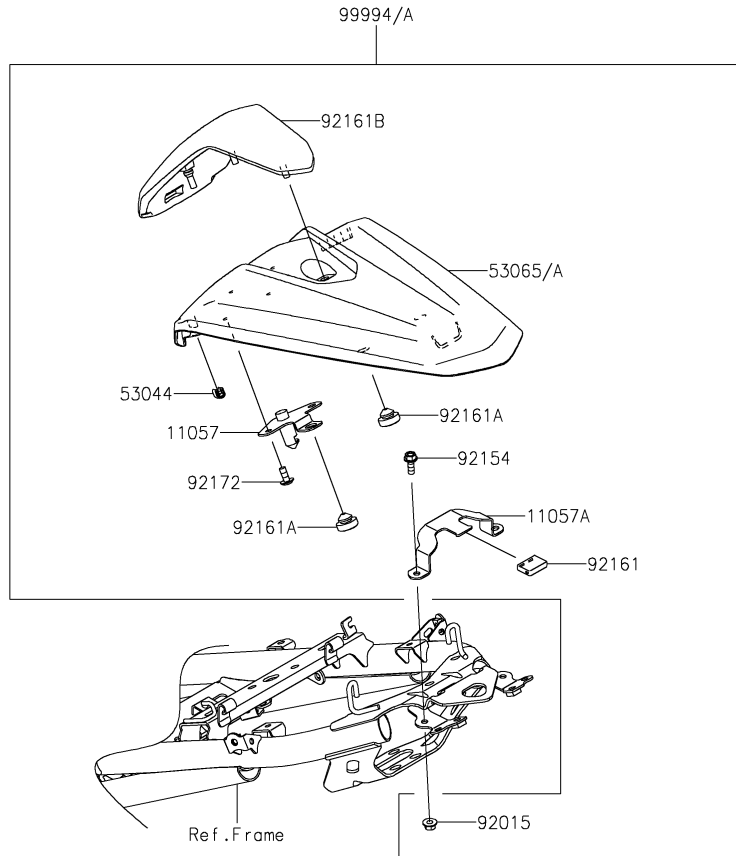
63. Decals(White)

Ref. No.	Part No.	Description	Spec Code	Quantity			
				'22			
56054	56054-1412	MARK,FR FENDER,ABS					2
56054A	56054-2567	MARK,FUEL TANK,KAWASAKI					2
56054B	56054-2966	MARK,FUEL TANK,Z					1
56076	56076-2716	PATTERN,SHROUD,LH					1
56076A	56076-2717	PATTERN,SHROUD,RH					1
56076B	56076-2718	PATTERN,FR FENDER,LH					1
56076C	56076-2719	PATTERN,FR FENDER,RH					1
56076D	56076-2794	PATTERN,TAIL COVER,LH					1
56076E	56076-2795	PATTERN,TAIL COVER,RH					1



Ref. No.	Part No.	Description	Spec Code	Quantity			
				'22			
				DNFNN			
11057	11057-1720	BRACKET,SHROUD,INNER,RH,UPP					1
11057A	11057-1721	BRACKET,SHROUD,INNER,RH,LWR					1
11057B	11057-2971	BRACKET,SHROUD,INNER,LH					1
14093	14093-0746-660	COVER,RADIATOR,LH,M.S.BLACK					1
14093A	14093-0746-68P	COVER,RADIATOR,LH,M.M.G.GRAY					1
14093B	14093-0747-660	COVER,RADIATOR,RH,M.S.BLACK					1
14093C	14093-0747-68P	COVER,RADIATOR,RH,M.M.G.GRAY					1
36001	36001-0670	COVER-SIDE,LH					1
36001A	36001-0671	COVER-SIDE,RH					1
39156	39156-2469	PAD					2
49133	49133-0029	SHROUD,INNER,LH					1
49133A	49133-0030	SHROUD,INNER,RH					1
49133B	49133-0031-660	SHROUD,OUTER,LH,M.S.BLACK					1
49133C	49133-0031-68N	SHROUD,OUTER,LH,P.R.WHITE					1
49133D	49133-0032-660	SHROUD,OUTER,RH,M.S.BLACK					1
49133E	49133-0032-68N	SHROUD,OUTER,RH,P.R.WHITE					1
92015	92015-1757	NUT,WELL,5MM					2
92039	92039-0060	RIVET					6
92071	92071-0766	GROMMET,20X24X7.5					4
92143	92143-1407	COLLAR,6.8X10X7					6
92154	92154-0209	BOLT,SOCKET,5X16					2
92154A	92154-1421	BOLT,SOCKET,5X12					4
92154B	92154-3838	BOLT,SOCKET,6X16					6
92161	92161-0266	DAMPER					6
92161A	92161-1531	DAMPER					10
92161B	92161-2260	DAMPER,15X40X20					1
92172	92172-0821	SCREW,5X12					14
92200	92200-0006	WASHER,NYLONE,5.3X11.5X0.5					2
92200A	92200-2211	WASHER,5.3X13X1.2					4
130	130BA0510	BOLT-FLANGED,5X10					8
130A	130BB0612	BOLT-FLANGED,6X12					4

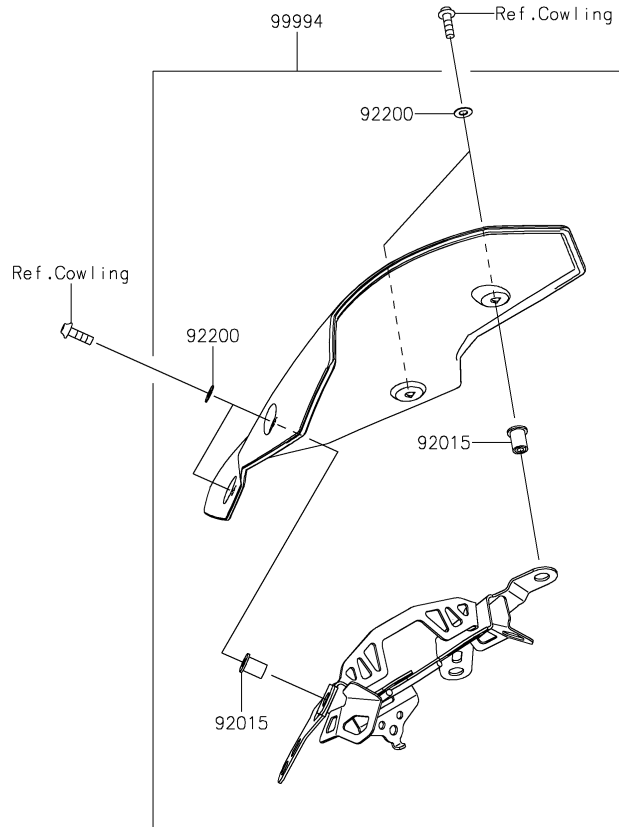
F2910



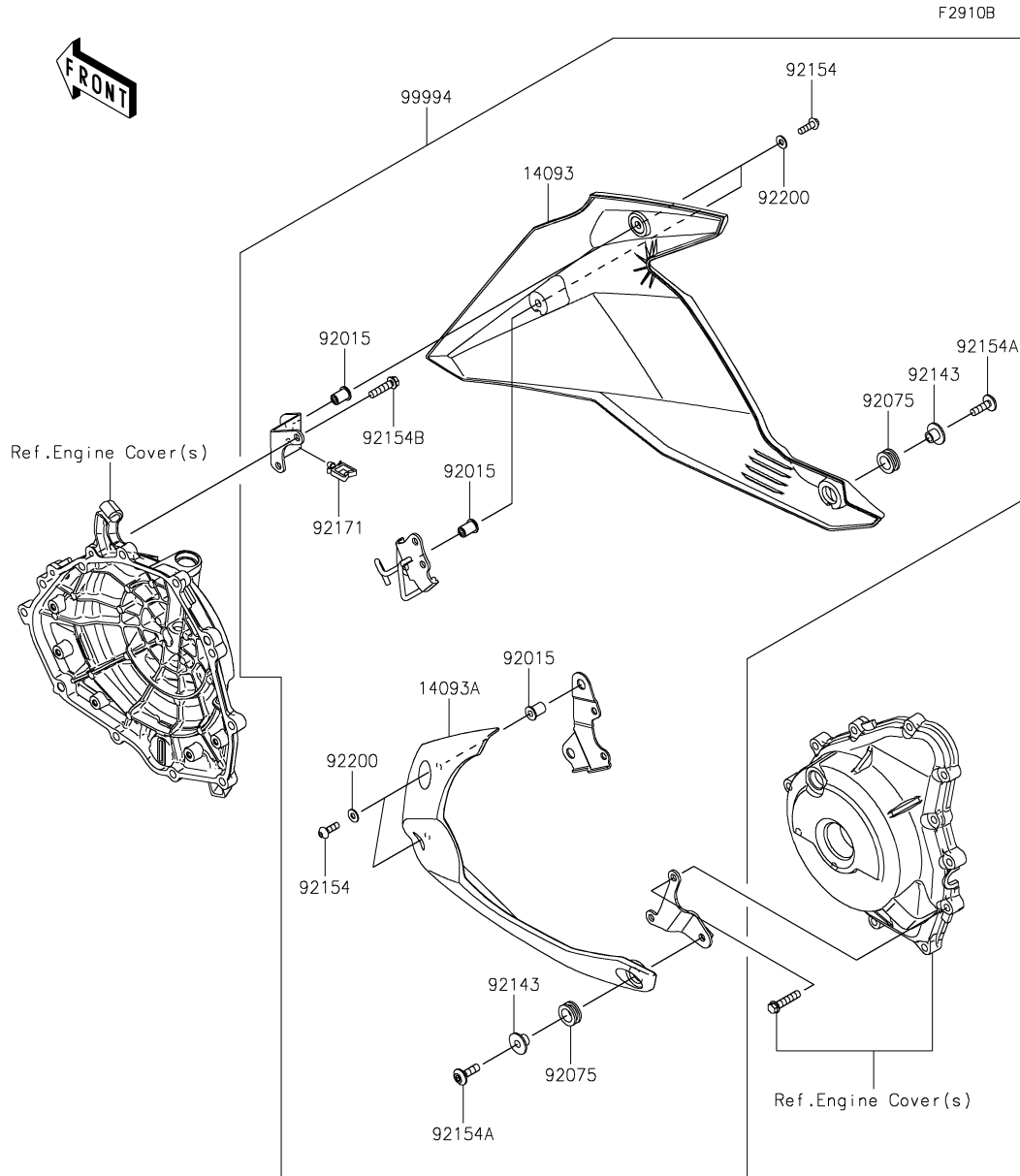
66. Accessory(Pillion Seat Cover)

Ref. No.	Part No.	Description	Spec Code	Quantity			
				'22			
				DNFNN			
11057	11057-1241	BRACKET,COVER FIX					1
11057A	11057-1242	BRACKET,FRAME FIX					1
53044	53044-0021	TRIM,L=20					2
53065	53065-0044-660	COVER SEAT,M.S.BLACK					1
53065A	53065-0044-68N	COVER SEAT,P.R.WHITE					1
92015	92015-1656	NUT,FLANGED,5MM					2
92154	92154-2894	BOLT,FLANGED,5X14					2
92161	92161-1472	DAMPER,15X21X5.5					1
92161A	92161-1473	DAMPER,9.5X18X6					3
92161B	92161-1988	DAMPER,SEAT COVER					1
92172	92172-0821	SCREW,5X12					2
99994	99994-1038-660	PILLION SEAT COVER,M.S.BLK					1
99994A	99994-1038-68N	PILLION SEAT COVER,P.R.WHITE					1

F2910A



Ref. No.	Part No.	Description	Spec Code	Quantity			
				'22			
92015	92015-1757	NUT,WELL,5MM					4
92200	92200-0006	WASHER,NYLONE,5.3X11.5X0.5					4
99994	99994-1128	METER COVER					1



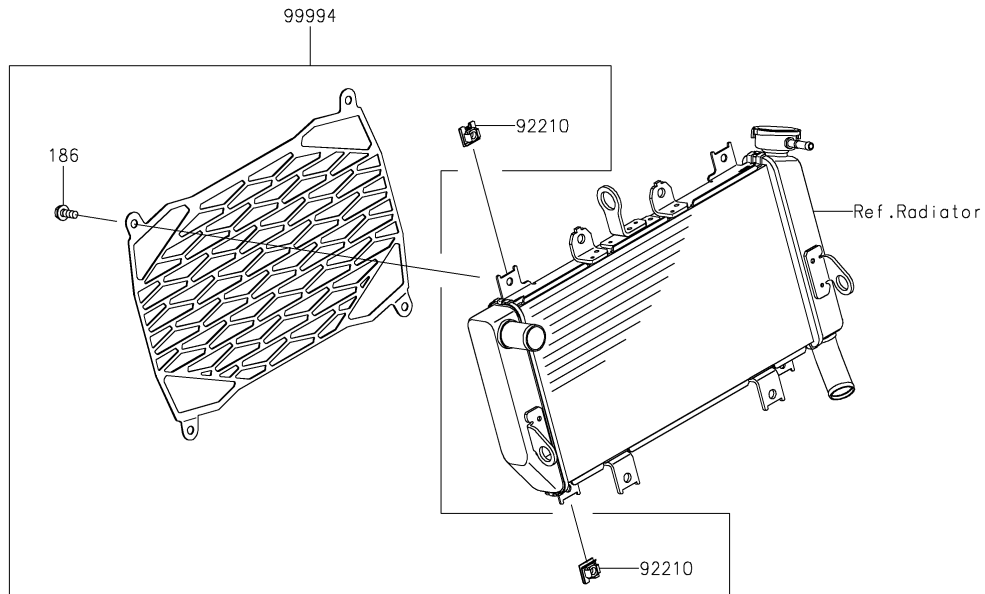
Ref. No.	Part No.	Description	Spec Code	Quantity			
				'22			
				DNFNN			
14093	14093-0768-660	COVER,LWR,RH,M.S.BLACK					1
14093A	14093-0981-660	COVER,LWR,LH,M.S.BLACK					1
92015	92015-1757	NUT,WELL,5MM					4
92075	92075-1634	DAMPER					2
92143	92143-1016	COLLAR,L=9.6					2
92154	92154-0209	BOLT,SOCKET,5X16					4
92154A	92154-0918	BOLT,SOCKET,6X20					2
92154B	92154-2734	BOLT,FLANGED,6X25					1
92171	92171-0290	CLAMP					1
92200	92200-0784	WASHER,5.2X12X1.0					4
99994	99994-1131-660	LOWER COWLING,M.S.BLACK					1

F2910C

69. Accessory(Radiator Screen)



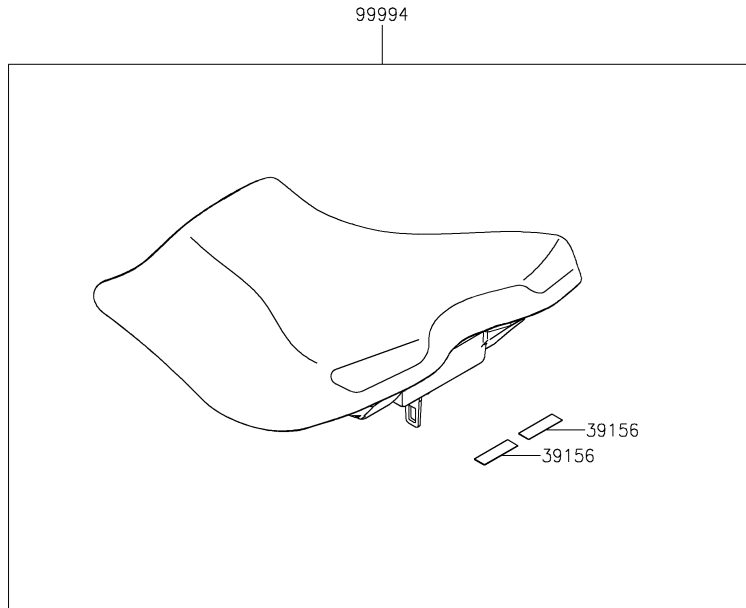
Ref. No.	Part No.	Description	Spec Code	Quantity			
				'22			
92210	92210-0867	NUT,CLIP,6MM					4
99994	99994-1048	KIT-ACCESSORY,RADIATOR SCREEN					1
186	186BA0616	BOLT-UPSET-WP					4



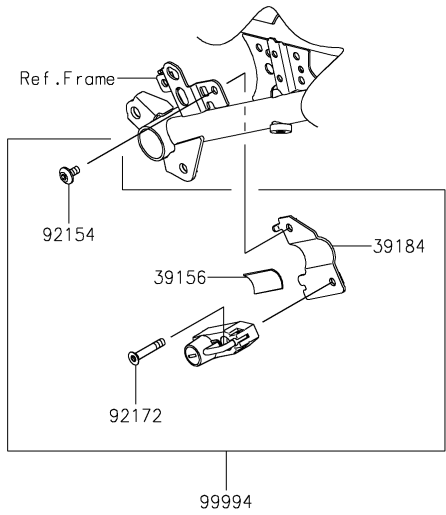
F2910E



Ref. No.	Part No.	Description	Spec Code	Quantity				
				'22				
39156	39156-2323	PAD,12X40						2
99994	99994-1665	HIGH SEAT						1

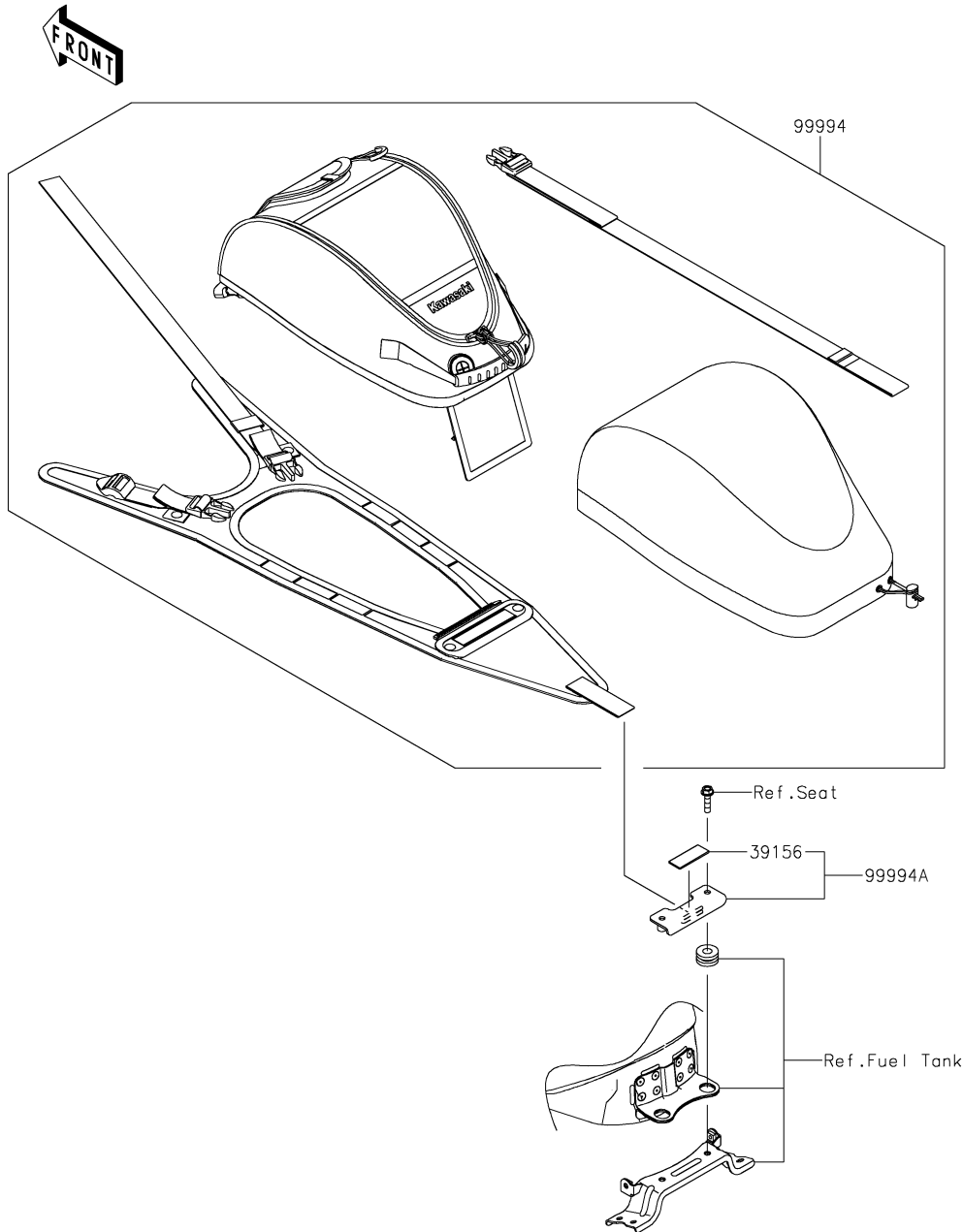


F2910F



Ref. No.	Part No.	Description	Spec Code	Quantity			
				'22			
39156	39156-2158	PAD,25X33X1					1
39184	39184-0725	BRACKET-ASSY					1
92154	92154-2355	BOLT,SOCKET,6X12					1
92172	92172-0835	SCREW,HEXLOBE,6X35					1
99994	99994-1037	KIT-ACCESSORY,HELMET LOCK					1

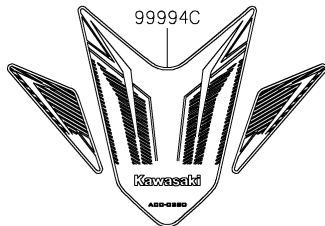
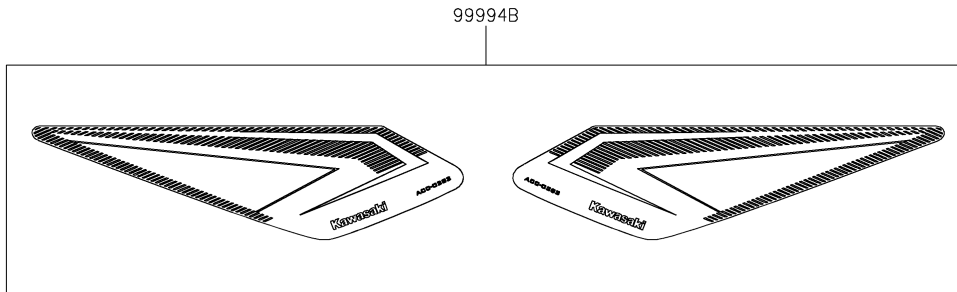
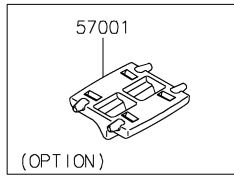
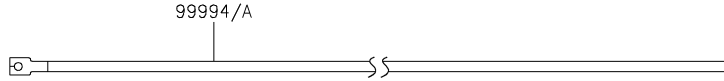
F2910G



73. Accessory(Tank Bag)

Ref. No.	Part No.	Description	Spec Code	Quantity				
				'22				
39156	39156-2384	PAD,17X45X2						1
99994	99994-0803	KIT-ACCESSORY,TANK BAG						1
99994A	99994-1044	KIT-ACCESSORY,TANK BAG BRACKET						1

F2910H



74. Accessory(Decals)

Ref. No.	Part No.	Description	Spec Code	Quantity					
				'22					
				DNFNN					
57001	57001-1752	RIM STRIPE APPLICATOR (OPTION)		AR					
99994	99994-0932	WHEEL RIM TAPE, GREEN							1
99994A	99994-0933	WHEEL RIM TAPE, SILVER							1
99994B	99994-1129	KNEE PAD							1
99994C	99994-1130	TANK PAD							1

'22 ER400 DNFNN

Numerical Parts Index

Part No.	Fig No.	Part No.	Fig No.	Part No.	Fig No.	Part No.	Fig No.	Part No.	Fig No.	Part No.	Fig No.
11004-0774	1	12011-1053	6	13102-0076	10	14032-0656	16	21171-0751	24	27008-0596	58
11005-0668	3	12021-0708	2	13107-0861	25	14041-0604	5	21175-1442	20	27010-0099	25
11008-0967	1	12032-0029	6	13107-0905	22	14092-0001	55	21176-0009	20	27010-0729	47
11009-1145	28	12046-0599	7	13127-0707	11	14092-1002	22	21176-0048	20	27010-0762	43
11010-0867	4	12048-0111	7	13128-0706	11	14093-0526	51	21176-0111	18	27010-0845	58
11012-1362	16	12053-0051	7	13140-0662	12	14093-0641	34	21176-0704	20	27010-0863	58
11012-1770	14	12053-0244	7	13140-0663	12	14093-0646	31	21176-0852	20	27010-1313	20
11012-1871-18R	32	12053-0245	7	13141-0597	12	14093-0720	57	21176-0856	46	27016-0008	58
11013-0767	4	12053-0246	7	13144-0586	11	14093-0739	64	21176-0886	43	27016-0025	58
11056-0238	58	120CA0610	25	13145-0570	12	14093-0740-51P	64	21176-0892	20	27016-5386	58
11057-1098	42	120CB0620	43	13159-1056	45	14093-0740-68P	64	220AA0612	18	27048-5216	58
11057-1099	43	120CB0625	47	13161-0610	13	14093-0741-51P	64	220AB0306	27	28012-1077	58
11057-1100	42	120CC0510	49	13187-0033	10	14093-0741-68P	64	220AB0525	47	28012-1088	58
11057-1101	45	120CC0690	1	13194-1096	25	14093-0742	64	220AC0625	58	32036-0376	29
11057-1103	45	120CC0835	48	13216-0894	26	14093-0743	64	224AB0408	56	32036-0378	31
11057-1191	36	13001-0790	3	13216-0895	25	14093-0746-660	65	225AB0412	45	32036-0379	31
11057-1214	55	13002-0050	3	13227-0040	26	14093-0746-68P	65	23004-0414	54	32037-0410	31
11057-1225	57	13008-0576	3	13234-0607	9	14093-0747-660	65	23007-0228	56	32037-0411	31
11057-1231	16	13031-0878	8	13236-0794	13	14093-0747-68P	65	23007-0229	56	32043-0624	37
11057-1241	66	13042-5007	47	13242-0145	13	14093-0768-660	68	23016-0657	55	32046-0423	50
11057-1242	66	13061-0782	70	13242-0146	13	14093-0818	2	23025-0385	55	32052-0809	49
11057-1605	31	13087-0585	10	13251-0727-HH	8	14093-0915	47	23026-0035	55	32085-0047	34
11057-1720	65	13088-0592	10	13262-1288	11	14093-0981-660	68	23037-0537	56	32099-0787	31
11057-1721	65	13088-0593	10	13262-1289	11	16007-0711	10	23037-0538	56	32144-0008	14
11057-1763	57	13089-0041	10	13262-1290	11	16007-0741	6	23037-0539	56	32155-0029	22
11057-1774	64	13089-0042	10	13262-1291	11	16014-0022	18	23037-0540	56	32160-0992-18R	29
11057-1881	26	13089-0043	10	13262-1292	11	16066-0007	1	23062-1170	31	33001-0681-18R	32
11057-1962	54	13089-0044	10	13262-1293	11	16073-0866	18	23062-1187	54	33032-0056	32
11057-1977	23	13095-0587	10	13262-1294	11	16082-0785	42	23062-1190	64	33040-0089	32
11057-2143	21	130BA0510	57	13262-1295	11	16097-0552	22	23062-1191	64	33040-0090-18R	32
11057-2639	70	130BA0510	65	13262-1296	11	16115-1053	16	23062-1193	57	34024-0149	37
11057-2642	70	130BA0514	31	13262-1297	11	16126-0705	21	23062-1230	31	34028-0356	34
11057-2971	65	130BA0514	64	13272-0573	43	16126-0744	4	23062-1231	57	34028-0357	34
11057-7033	58	130BA0610	57	13272-1330	58	16126-0748	18	23062-1340	54	34028-0366	34
11061-0417	17	130BA0610	64	13272-2374	12	16126-1140	38	25023-0126	51	34028-0367	34
11061-0875	26	130BA0612	57	13272-2414	10	16130-0006	22	25031-0790	51	35019-0639	36
11061-1247	3	130BA0614	64	13272-2521	31	16142-0748	22	26006-0001	57	35023-0436	36
11061-1249	5	130BA0622	23	13272-2522	31	16142-0757	26	26006-1006	25	35023-0438	36
11061-1251	17	130BB0512	64	13272-2558	18	16154-0738	22	26006-1078	57	35034-0601	36
11061-1252	16	130BB0612	42	13280-0301	25	16160-0830	28	26006-1079	57	35038-5187-68N	35
11061-1253	16	130BB0612	54	13280-0929	47	16163-0976	18	26006-1080	57	35038-5208-660	35
11061-1266	5	130BB0612	65	13280-0930	47	16164-0012	21	26011-0974	57	35038-5213-660	35
11061-1337	2	130BB0625	4	132BA0612	57	16165-0016	14	26011-0975	57	35063-1407	34
11065-0969	28	130BB0625	51	132BC0618	43	186BA0616	69	26011-1867	25	35063-1408	34
11065-1286	48	130BB0625	54	132BC0618	46	21003-0178	23	26012-0564	57	35063-1409	34
11065-1290	29	130CA0630	15	14001-0717	14	21007-0653	23	26031-2725	57	35063-1410	34
11065-1311	2	130CA0818	31	14013-004	14	21007-0671	43	27002-0031	57	36001-0670	65
12004-0755	6	130CB0620	13	14014-0576	14	21007-5077	58	27002-0050	57	36001-0671	65
12005-0772	6	130CB0625	27	14026-0141	16	21066-0761	23	27003-0065	57	36014-0571	53
12009-1073	6	130CC0625	50	14031-0618	16	21163-0794	25	27005-0670	58	36041-0036-51P	53

'22 ER400 DNFNN

Numerical Parts Index

Part No.	Fig No.	Part No.	Fig No.	Part No.	Fig No.	Part No.	Fig No.	Part No.	Fig No.	Part No.	Fig No.
36041-0036-68P	53	42036-0810	33	44029-1131	48	49133-0031-68N	65	56076-2716	63	92016-028	10
36041-0037-660	53	42036-1055	40	44037-0178-21	48	49133-0032-660	65	56076-2717	63	92022-1109	11
36041-0037-68N	53	42041-0162	40	44039-0183	48	49133-0032-68N	65	56076-2718	63	92022-1116	10
36041-0038-660	53	43001-0756	41	44045-051	48	51044-0843	19	56076-2719	63	92022-112	11
36041-0038-68N	53	43010-0022	45	44065-0030	48	51049-0735	49	56076-2720	62	92022-1282	41
39007-0438	33	43015-0667	45	44065-0036	48	51090-5427-660	49	56076-2721	62	92022-1373	44
39061-0773	27	43015-0715	43	44071-1331-22Q	48	51092-5067-68N	49	56076-2722	62	92022-1373	46
39062-0781	28	43020-0022	43	44071-1332-22Q	48	51092-5162-660	49	56076-2723	62	92022-1582	32
39062-0824	28	43020-0023	45	44071-1372	47	52005-1009	16	56076-2794	63	92022-161	11
39062-0825	28	43022-1010	43	45014-0619-37S	33	53044-0021	66	56076-2795	63	92022-1628	13
39062-0861	28	43026-0009	45	46003-0772	47	53044-0644	57	56076-3849	61	92022-231	48
39110-0045	13	43026-0026	43	46012-0391	47	53065-0044-660	66	56076-3850	61	92022-326	41
39111-0365	33	43027-0010	43	46019-0060	47	53065-0044-68N	66	56076-3851	62	92026-0115	10
39156-1913	70	43027-1053	45	46075-0564	47	53066-0800-12Y	50	56076-3852	62	92026-0734	10
39156-2158	72	43028-0022	43	46076-0154	47	53066-0801-MA	50	57001-1752	74	92026-1217	13
39156-2218	53	43028-1065	45	46091-0432	47	54010-0621	58	59051-0796	10	92026-1276	48
39156-2219	57	43034-0138	46	46091-0433	47	54011-0640	52	59051-0797	22	92027-1183	51
39156-2220	31	43034-0145	43	46092-0028	43	54012-0672	52	59051-0799	25	92027-1651	23
39156-2296	64	43044-1112	44	46092-0562	47	54012-0673	52	59256-0554	26	92027-1651	42
39156-2298	53	43044-1112	46	46102-0648	10	55020-0872	48	59502-0624	27	92028-1858	11
39156-2299	53	43045-0013	44	461DA0600	25	55020-2195	34	600A0500	11	92028-1866	8
39156-2300	53	43045-0013	46	480J1400	13	55020-2196	34	601B6203UU	39	92028-1867	8
39156-2323	71	43045-1010	44	482EA5000	34	55020-2199	32	601B6203UU	40	92028-1868	8
39156-2379	36	43045-1010	46	482EA7000	34	55020-2246	58	601B6205G	40	92033-0079	45
39156-2383	50	43048-1068	44	482J0200	13	55020-2259	58	601B6303UU	40	92033-015	11
39156-2384	73	43048-1068	46	49002-0009	1	550AA2015	37	610A0408	22	92033-026	11
39156-2421	55	43049-1060	44	49006-1088	44	550AA2015	45	610A0408	26	92033-1054	3
39156-2469	65	43049-1060	46	49006-1088	46	550AA4035	39	671B2550	40	92033-1186	45
39178-0347	5	43049-1061	44	49006-1242	44	550AA4035	40	92001-1728	43	92033-1222	48
39184-0725	72	43049-1061	46	49006-1242	46	554DA0600	31	92002-1143	1	92037-1124	18
41009-0773	38	43056-0004	44	49016-1044	43	56001-0395	47	92002-1323	43	92037-147	21
41009-0774	38	43056-0004	46	49033-0047	18	56001-0396	47	92004-0048	40	92038-001	8
41068-0643	39	43057-1001	44	49034-0568	17	56007-0107	59	92004-0731	1	92039-0060	53
41068-0644	40	43057-1001	46	49040-0763	19	56008-0036	59	92005-0713	14	92039-0060	65
41073-0752-QT	39	43078-0040	45	49047-0634	12	56033-0850	60	92005-0721	21	92042-007	1
41073-0753-QT	40	43078-0605	28	49054-0001	28	56053-1580	60	92005-1380	18	92042-007	3
41075-0007	38	43080-0244-DJ	44	49056-0050	18	56054-1412	63	92009-1134	47	92042-030	22
41075-0008	38	43080-0245-DJ	46	49063-1055	26	56054-1413	61	92009-1391	51	92043-0200	34
41075-0009	38	43082-0128	46	49065-0048	22	56054-1413	62	92009-1458	43	92043-0746	31
41080-0686-11H	46	43082-0175	44	49069-0846	5	56054-2558	61	92015-1191	47	92043-0877	34
41080-0727-32L	44	43095-1489	45	49078-0742	6	56054-2558	62	92015-1197	47	92043-0904	45
410AB0600	47	43095-1490	45	49085-0016	27	56054-2559	61	92015-1233	43	92043-0963	14
411AA0600	1	43095-1495	45	49091-0001	42	56054-2567	63	92015-1367	21	92043-1263	16
411AA0600	20	43095-1580	42	49091-0001	45	56054-2966	63	92015-1656	66	92043-1264	1
42033-0574	40	43095-1581	42	49106-0827	5	56054-2967	62	92015-1757	31	92043-1309	14
42036-0805	32	44005-0119-18R	48	49118-0913	7	56071-0158	60	92015-1757	64	92043-1507	44
42036-0806	32	44006-0116-18R	48	49118-0914	7	56076-2712	61	92015-1757	65	92043-1507	46
42036-0807	33	44013-0338	48	49133-0029	65	56076-2713	61	92015-1757	67	92043-1744	12
42036-0808	33	44023-0149	48	49133-0030	65	56076-2714	61	92015-1757	68	92043-4009	1
42036-0809	33	44026-0231	48	49133-0031-660	65	56076-2715	61	92015-1759	29	92043-4009	2

'22 ER400 DNFNN

Numerical Parts Index

Part No.	Fig No.	Part No.	Fig No.	Part No.	Fig No.	Part No.	Fig No.	Part No.	Fig No.	Part No.	Fig No.
92045-0067	26	92055-1420	48	92110-0057	59	92151-1930	17	92154-0992	15	92154-2810	33
92045-0735	11	92055-1555	26	92110-0066	59	92152-0286	5	92154-0997	10	92154-2811	33
92045-0841	11	92055-2187	18	92110-0564	59	92152-0547	4	92154-1009	58	92154-2812	30
92045-0937	10	92056-003	48	92110-0566	59	92152-0679	30	92154-1138	42	92154-2812	31
92045-1045	12	92057-0019	40	92110-0567	59	92152-0842	35	92154-1138	45	92154-2813	31
92046-0034	16	92057-0602	7	92111-0008	59	92152-0843	40	92154-1421	64	92154-2813	33
92046-0043	14	92058-1102	40	92112-0007	59	92152-0844	40	92154-1421	65	92154-2814	37
92046-0607	11	92062-0004	14	92139-0781	11	92152-1074	27	92154-1426	14	92154-2820	23
92046-1228	32	92062-0047	14	92139-0793	11	92152-1914	37	92154-1539	37	92154-2838	26
92046-1273	33	92062-0048	14	92139-0880	8	92152-1971	58	92154-1547	36	92154-2893	36
92048-0024	25	92066-0002	1	92139-0881	8	92152-2129	70	92154-1646	44	92154-2893	53
92048-0025	11	92066-0003	14	92139-0882	8	92152-2287	36	92154-1693	42	92154-2894	66
92048-0032	29	92066-0748	16	92139-0883	9	92152-2322	54	92154-1712	42	92154-2895	36
92048-0033	48	92066-0767	17	92139-0884	9	92152-2369	11	92154-1712	45	92154-2896	23
92048-0036	29	92066-0915	29	92139-0885	9	92152-2370	13	92154-1767	70	92154-2900	36
92048-0037	29	92069-0090	56	92139-0886	8	92152-2371	31	92154-1773	25	92154-2907	14
92049-0133	33	92069-1016	55	92139-0887	8	92152-2386	39	92154-1775	2	92154-2907	7
92049-0730	40	92070-0716	24	92139-0888	8	92152-2387	40	92154-1777	16	92154-2939	21
92049-0783	26	92071-0709	36	92139-0890	33	92152-2392	36	92154-1778	28	92154-2986	15
92049-0799	14	92071-0766	53	92140-0008	29	92152-2393	36	92154-1779	16	92154-3737	1
92049-0801	39	92071-0766	65	92140-0008	34	92152-2395	53	92154-1838	13	92154-3738	29
92049-0802	40	92071-0785	42	92143-1016	68	92152-2397	30	92154-1858	58	92154-3739	36
92049-0807	48	92071-0786	5	92143-1124	39	92152-2423	70	92154-1865	44	92154-3747	34
92049-1223	33	92071-0787	25	92143-1407	65	92152-2486	53	92154-1865	46	92154-3764	20
92049-1349	6	92072-0815	21	92143-1611	48	92152-2524	10	92154-1889	25	92154-3771	33
92049-1426	32	92072-1414	57	92144-1818	37	92153-0531	27	92154-1964	31	92154-3798	70
92049-1520	14	92075-015	49	92144-1847	44	92153-0793	2	92154-2244	45	92154-3812	21
92049-1560	16	92075-1123	27	92144-1847	46	92153-0817	5	92154-2302	42	92154-3837	53
92055-0016	20	92075-1564	58	92145-0683	58	92153-0854	48	92154-2331	47	92154-3838	65
92055-0074	1	92075-161	31	92145-0780	34	92153-1172	8	92154-2335	19	92154-3840	47
92055-012	16	92075-1634	68	92145-1319	34	92153-1526	36	92154-2341	23	92154-3851	31
92055-0143	2	92075-1808	36	92145-1783	13	92153-1798	28	92154-2344	26	92154-3869	58
92055-0728	19	92075-1870	55	92145-1789	10	92154-0117	7	92154-2355	54	92154-4129	31
92055-0734	16	92075-277	23	92145-1813	13	92154-0209	34	92154-2355	72	92154-4129	45
92055-0741	45	92075-277	42	92145-1814	13	92154-0209	53	92154-2551	48	92154-7088	46
92055-0822	25	92081-1737	45	92145-1826	18	92154-0209	64	92154-2679	15	92160-1162	4
92055-086	7	92081-1833	41	92145-1829	10	92154-0209	65	92154-2680	15	92160-1167	54
92055-0888	3	92090-007	29	92150-1162	15	92154-0209	68	92154-2681	15	92160-1190	55
92055-0889	26	92092-0018	5	92150-1483	15	92154-0235	12	92154-2730	13	92160-1613	51
92055-0890	1	92092-1058	33	92150-1880	12	92154-0440	47	92154-2731	13	92160-1613	54
92055-0896	26	92093-0706	4	92151-1149	32	92154-0551	57	92154-2731	22	92161-0163	55
92055-0907	18	92093-0707	4	92151-1449	5	92154-0819	16	92154-2732	1	92161-0266	65
92055-0917	20	92093-0713	27	92151-1532	5	92154-0843	45	92154-2734	16	92161-0356	20
92055-0944	1	92093-0717	48	92151-1557	31	92154-0917	64	92154-2734	68	92161-0673	18
92055-0954	57	92093-1030	49	92151-1605	35	92154-0918	35	92154-2735	16	92161-0700	40
92055-0955	59	92104-0004	59	92151-1654	34	92154-0918	68	92154-2788	16	92161-0927	49
92055-0992	28	92104-1064	59	92151-1654	45	92154-0932	49	92154-2789	26	92161-0951	20
92055-1146	16	92106-0004	59	92151-1654	53	92154-0935	41	92154-2792	22	92161-1367	64
92055-1215	33	92107-0020	59	92151-1829	7	92154-0936	34	92154-2799	34	92161-1466	13
92055-1354	22	92110-0040	59	92151-1930	16	92154-0953	7	92154-2801	43	92161-1472	66

'22 ER400 DNFNN

Numerical Parts Index

Part No.	Fig No.	Part No.	Fig No.	Part No.	Fig No.	Part No.	Fig No.	Part No.	Fig No.	Part No.	Fig No.
92161-1473	31	92173-1242	21	92200-0043	34	92210-1397	32				
92161-1473	50	92173-1613	43	92200-0115	15	92210-1585	39				
92161-1473	66	92173-1614	46	92200-0157	35	92210-1585	40				
92161-1506	58	92173-1688	28	92200-0157	53	92210-1586	29				
92161-1531	53	92173-1691	28	92200-0174	5	92210-1588	32				
92161-1531	65	92173-1714	4	92200-0363	1	92210-1589	32				
92161-1933	4	92173-1749	4	92200-0490	13	92210-1590	32				
92161-1980	49	92173-1783	55	92200-0583	36	92210-1596	13				
92161-1984	55	92173-1828	16	92200-0780	58	92210-1597	13				
92161-1988	66	92173-1931	5	92200-0784	68	92210-1664	25				
92161-2080	27	92173-1935	26	92200-0790	23	99994-0803	73				
92161-2102	51	92173-1951	57	92200-0855	56	99994-0932	74				
92161-2152	5	92173-2435	42	92200-0964	64	99994-0933	74				
92161-2260	65	92180-1014	6	92200-1087	4	99994-1037	72				
92170-1017	4	92180-1016	6	92200-1375	11	99994-1038-660	66				
92170-1091	45	92180-1018	6	92200-1389	11	99994-1038-68N	66				
92171-0058	5	92180-1020	6	92200-1678	25	99994-1044	73				
92171-0290	68	92180-1022	6	92200-1679	25	99994-1048	69				
92171-0316	57	92180-1024	6	92200-1858	29	99994-1128	67				
92171-0573	21	92180-1026	6	92200-1916	39	99994-1129	74				
92171-0640	43	92180-1028	6	92200-1916	40	99994-1130	74				
92171-0818	45	92180-1030	6	92200-1932	11	99994-1131-660	68				
92171-0939	58	92180-1032	6	92200-1933	13	99994-1287	70				
92171-1973	49	92180-1034	6	92200-1954	7	99994-1665	71				
92171-2056	4	92180-1036	6	92200-1971	55	99999-0525	19				
92172-0183	47	92180-1038	6	92200-1987	10						
92172-0262	36	92180-1040	6	92200-2211	64						
92172-0262	55	92180-1042	6	92200-2211	65						
92172-0343	55	92180-1044	6	92200-2222	56						
92172-0427	55	92180-1046	6	92200-2295	13						
92172-0790	20	92180-1048	6	92200-3807	18						
92172-0821	57	92180-1050	6	92210-0007	58						
92172-0821	65	92180-1052	6	92210-0121	5						
92172-0821	66	92180-1054	6	92210-0384	8						
92172-0835	72	92192-1229	21	92210-0498	53						
92172-0891	4	92192-1349	18	92210-0571	53						
92172-1090	53	92192-1744	4	92210-0571	64						
92172-1117	56	92192-1806	21	92210-0615	44						
92172-1212	23	92192-1810	4	92210-0615	46						
92172-1215	55	92192-1811	4	92210-0850	11						
92172-1257	18	92192-1812	4	92210-0867	69						
92173-0028	45	92192-1813	4	92210-1081	70						
92173-0050	28	92192-1860	49	92210-1114	5						
92173-0190	4	92192-1906	18	92210-1139	29						
92173-0192	4	92192-1920	21	92210-1139	31						
92173-0833	49	92192-1923	21	92210-1139	33						
92173-0868	49	92200-0006	53	92210-1139	40						
92173-0868	57	92200-0006	64	92210-1150	33						
92173-0927	1	92200-0006	65	92210-1323	27						
92173-1229	21	92200-0006	67	92210-1352	35						

Accessory(Decals)	74	Fuel Pump	19
Accessory(Helmet Lock)	72	Fuel Tank	49
Accessory(High Seat)	71	Gear Change Drum/Shift Fork(s)	12
Accessory(Lower Cowling)	68	Gear Change Mechanism	13
Accessory(Meter Cover)	67	Generator	23
Accessory(Pillion Seat Cover)	66	Handlebar	47
Accessory(Radiator Screen)	69	Headlight(s)	54
Accessory(Slider)	70	Ignition Switch	58
Accessory(Tank Bag)	73	Ignition System	24
Air Cleaner	4	Labels	60
Balancer	9	Meter(s)	51
Brake Pedal	41	Muffler(s)	5
Brake Piping	42	Oil Pan	17
Cables	52	Oil Pump	22
Camshaft(s)/Tensioner	7	Owner's Tools	59
Chassis Electrical Equipment	57	Radiator	27
Clutch	10	Rear Brake	46
Cowling	64	Rear Fender(s)	36
Cowling Lower	65	Rear Hub	40
Crankcase	14	Rear Master Cylinder	45
Crankcase Bolt Pattern	15	Seat	50
Crankshaft	8	Side Covers/Chain Cover	53
Cylinder Head	1	Stand(s)	37
Cylinder Head Cover	2	Starter Motor	25
Cylinder/Piston(s)	3	Suspension/Shock Absorber	33
Decals(Black)	62	Swingarm	32
Decals(Green)	61	Taillight(s)	55
Decals(White)	63	Throttle	18
Engine Cover(s)	16	Tires	38
Engine Mount	30	Transmission	11
Footrests	34	Turn Signals	56
Frame	29	Valve(s)	6
Frame Fittings	31	Water Pipe	28
Front Brake	44	Water Pump	26
Front Fender(s)	35		
Front Fork	48		
Front Hub	39		
Front Master Cylinder	43		
Fuel Evaporative System	21		
Fuel Injection	20		

'22 ER400 DNFNN(CL)

(Z400)